



Gilford™

30" x 22" bracket-mounted utility sink
K-12787

Features

- Single rectangular basin.
- 8-inch centers.
- 30" (762 mm) x 22" (559 mm) x 8-5/8" (219 mm)
- Strainer not included.

Material

- Vitreous china.

Installation

- Wall-mount
- Requires K-1814-P (sold separately) and service part 63002 (included) for installation.

Required Products/Accessories

K-1814-P Wall-Mount Sink Brackets

Recommended Products/Accessories

K-8820 Sink Drain and Strainer

K-9000 P-Trap

K-9115 Sink Strainer

Included Components

Product consists of:

63002 Bracket, Tie Bar



Codes/Standards

ASME A112.19.2/CSA B45.1


KOHLER® One-Year Limited Warranty

See website for detailed warranty information.

Available Colors/Finishes

Color tiles intended for reference only.

Color	Code	Description
-------	------	-------------

	0	White
--	---	-------

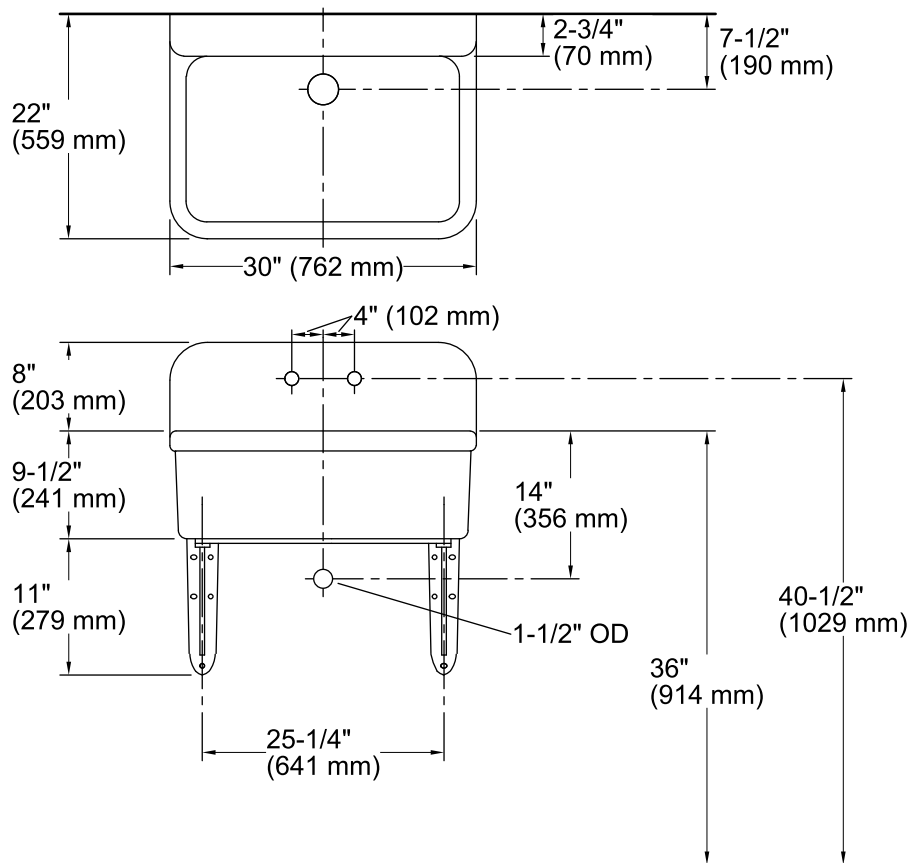
1-800-4KOHLER (1-800-456-4537)

Kohler Co. reserves the right to make revisions without notice to product specifications.

For the most current Specification Sheet, go to www.kohler.com.

4-25-2019 18:00 - US/CA

THE BOLD LOOK
OF **KOHLER**®



Technical Information

All product dimensions are nominal.

Bowl configuration:	Single
Installation:	Wall-mount
Bowl area (Only):	Length: 28" (711 mm) Width: 18" (457 mm) Water depth: 8-5/8" (219 mm)
Number of deck holes:	2
Faucet hole spacing:	8" (203 mm)
Faucet hole(s):	1-3/8" (35 mm)
Drain hole:	2-1/4" (57 mm)

Notes

Install this product according to the installation instructions.