

# FIRE-RATED DRAINAGE BOX

696R series

Ox Box™

Item # Submitted	_____
Job Name	_____
Location	_____
Engineer	_____
Contractor	_____
PO#	_____ TAG _____

## SPECIFICATION

Sioux Chief 696R series Ox Box fire-rated drain box shall be used where necessary in plumbing systems. Box shall allow for mounting with drainage line from bottom, mounted on stud. Metal support bracket shall install into top track of box for added support. Drain box shall have a 5/8" integral testable nipple on knockout. Drain connection shall be 2".

## MATERIALS

- outlet box: ABS
- frame: fire-rated ABS
- frame extension\*: fire-rated ABS
- bracket: galvanized steel
- fire-guard: intumescent material

\* 696-EX available separately. Used with two layers of drywall for 2-hour specifications.

## INSTALLATION

Stud construction can be non-load bearing or load bearing. Wood or metal stud construction, max 100 in<sup>2</sup> of penetrations per 100 ft<sup>2</sup> of wall.

## CERTIFICATIONS/APPROVALS

Listed by UPC/IAPMO to meet UPC

Conforms to IPC

Listed by Warnock Hersey to meet:

ASTM E-814, CAN/ULC S115

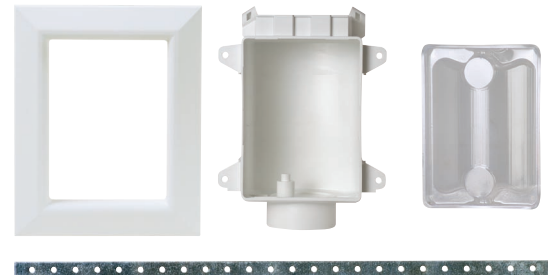
2 hours (F), 1½ hours (T) for 2-hour design

1 hour (F), 31 minutes (T) for 1-hour design

ASTM E-119, UL 1479

System design number:

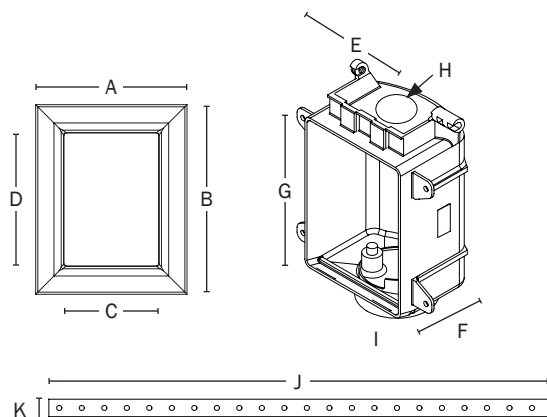
SC/WA120 , W/N 14409



696R3

## DIMENSIONS

- A: frame width 5¾"
- B: frame height 7¼"
- C: frame opening width 3⅝"
- D: frame opening height 5⅛"
- E: rough-in box inner width 4"
- F: rough-in box overall depth 3½"
- G: rough-in box inner height 5½"
- H: secondary knockout 1⅞"
- I: drain connection 2" DWV
- J: bracket length 18"
- K: bracket width 5/8"
- bracket thickness 18 gauge



696R3

ACCESSORIES

- 696-EX frame extension