

QuickTrim™ Kits

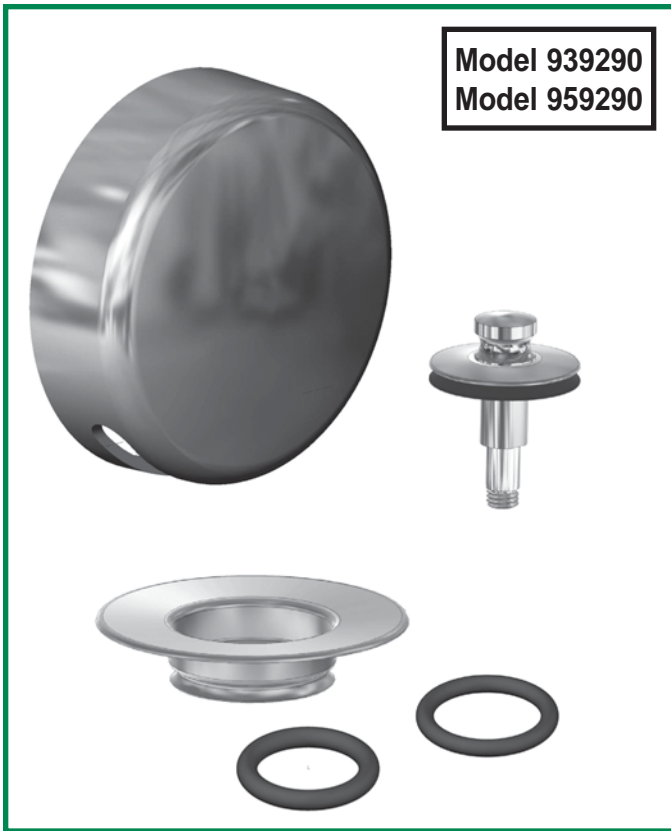
SPECIFICATIONS

FEATURES AND BENEFITS:

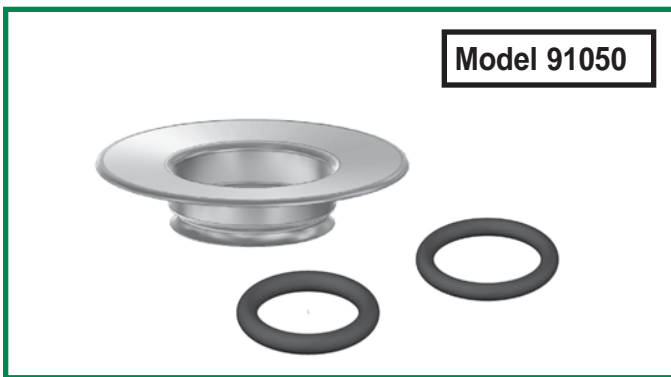
- No tools needed!
- Install chrome on the rough-in and easily upgrade to a special finish without removing the strainer body.
- Quickly and easily replace a damaged strainer body.
- Looks just as good as the original strainer body.
- Cover is thinner than a standard strainer body (.03") and will not create a water dam.
- The o-ring seal is all that is required; no silicone, plumber's putty, or epoxy is needed.
- Eliminates destroying the integrity of your test when removing a strainer body.
- Eliminates the labor required to remove and replace the strainer body.
- Eliminates the possibility of cross-threading or damaging the tub or of the drain fitting moving out of line when replacing the strainer body.

PATENTS:

- U.S. Patent No. 4,720,877; 5,758,368; 7,503,083 B2; Patents Pending



Model 939290
Model 959290



Model 91050

In order to take advantage of the full "total installed cost" benefits of Watco **QuickTrim™** Kits, we recommend the following:

1. Purchase and install chrome Rough-In (RI) kits on all initial installations.
2. Purchase chrome Stopper/Faceplate (SF) kits for all chrome trim finishes.
3. Purchase kits for all special finish upgrades.
4. Purchase chrome **QuickTrim™** strainer body covers for repair of chrome strainer bodies that have been damaged during rough-in.

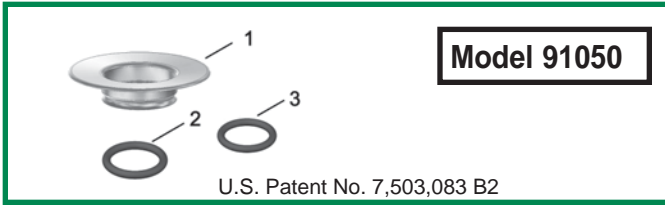
Finishes Available in the **QuickTrim™** Series:

Tub Closures:	PUSH PULL®	LIFT & TURN	PRESFLO®	FOOT ACT.
CP - Chrome Plated	•	•		•
AB - Antique Brass	•	•		
AP - Aged Pewter	•	•		
BB - Brushed Bronze	•	•		
BN - Brushed Nickel	•	•		•
BO - Bone	•	•		
BS - Biscuit	•	•		
BZ - Oil-Rubbed Bronze	•	•		•
CB - Chrome Brushed	•	•		
NP - Nickel Polished	•	•		•
PB - Polished Brass	•	•		•
PN - Pearl Nickel	•	•		
WH - White	•	•		
WI - Wrought Iron	•	•		

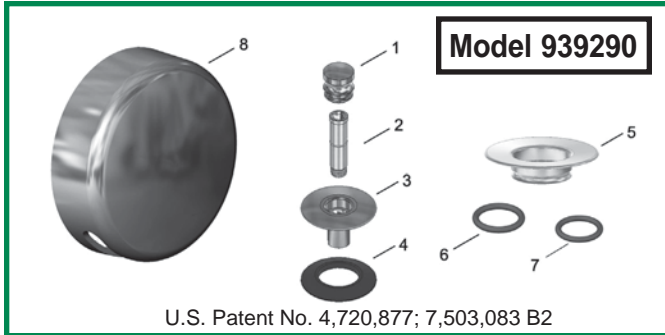


For More Information Contact:
WATCO Manufacturing Company
 1220 South Powell Road
 Independence, MO 64057-2724
 Ph. 816-796-3900 • FAX 816-796-0875
www.watcomfg.com

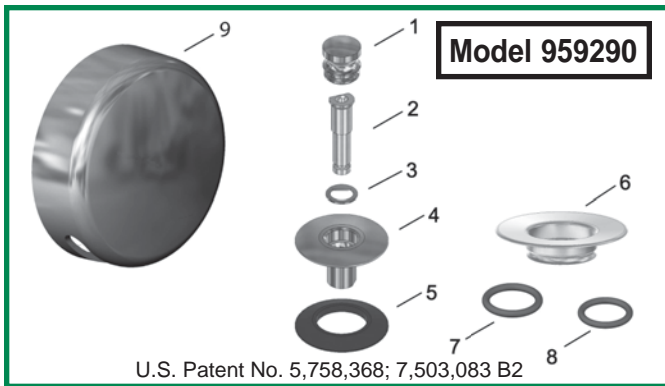
QuickTrim™ Kits Parts Lists



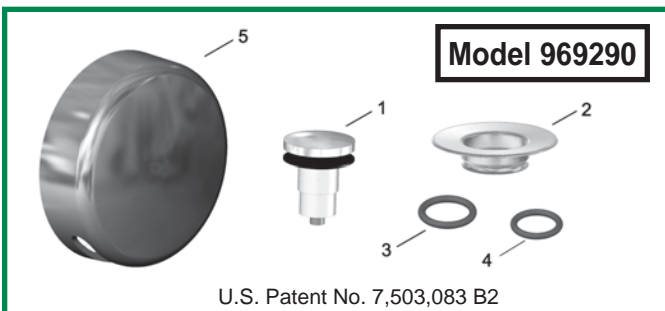
Item	Part #	Strainer Body Cover
1.	01050CP QuickTrim™ Strainer Body Cover
2.	11138 QuickTrim™ O-Ring (thick) for brass bodies
3.	11136 QuickTrim™ O-Ring (thin) for zinc bodies



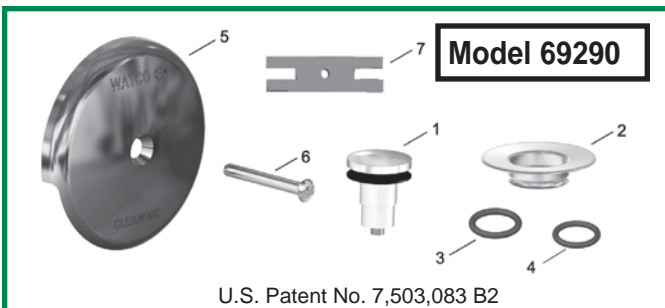
Item	Part #	PUSH PULL® Innovator® Trim Kit
1.	01010CP PUSH PULL® Knob, Brass
2.	11510 Friction Ring (11505) and Post (11532)
3.	01013CP Stopper, Brass
4.	11507 Seal, 1 1/16" dia.
5.	01050CP QuickTrim™ Strainer Body Cover
6.	11138 QuickTrim™ O-Ring (thick) for brass bodies
7.	11136 QuickTrim™ O-Ring (thin) for zinc bodies
8.	01004CP Snap-on Overflow Plate, Innovator®



Item	Part #	LIFT AND TURN Innovator® Trim Kit
1.	01010CP PUSH PULL® Knob, Brass
2.	11079 Lift and Turn "D" Pin, full length
3.	11088 Lift and Turn "D" Ring
4.	11290CP PUSH PULL® Stopper, Plastic, <u>Chrome</u>
	01013 PUSH PULL® Stopper, Metal, <u>Finishes</u>
5.	11507 Seal, 1 1/16" dia
6.	01050CP QuickTrim™ Strainer Body Cover
7.	11138 QuickTrim™ O-Ring (thick) for brass bodies
8.	11136 QuickTrim™ O-Ring (thin) for zinc bodies
9.	01004CP Snap-on Overflow Plate, Innovator®



Item	Part #	Foot Actuated Innovator® Trim Kit
1.	38412CP Foot Actuated Replacement Stopper, 3/8" pin
2.	01050CP QuickTrim™ Strainer Body Cover
3.	11138 QuickTrim™ O-Ring (thick) for brass bodies
4.	11136 QuickTrim™ O-Ring (thin) for zinc bodies
5.	01004CP Snap-on Overflow Plate, Innovator®



Item	Part #	Foot Actuated 1-Hole Trim Kit*
1.	38412CP Foot Actuated Replacement Stopper, 3/8" pin
2.	01050CP QuickTrim™ Strainer Body Cover
3.	11138 QuickTrim™ O-Ring (thick) for brass bodies
4.	11136 QuickTrim™ O-Ring (thin) for zinc bodies
5.	01002CP** Overflow Plate, 1-Hole, metal
6.	01024CP Overflow Plate Screw, 2.25"
7.	11641 Adapter Bar

*All 1-hole trim kits are available in 2-hole trim kits. Add "2H" to end of part number (example: 69290-CP-2H).

** 01003CP Overflow Plate, 2-hole, metal