

Location: \_\_\_\_\_

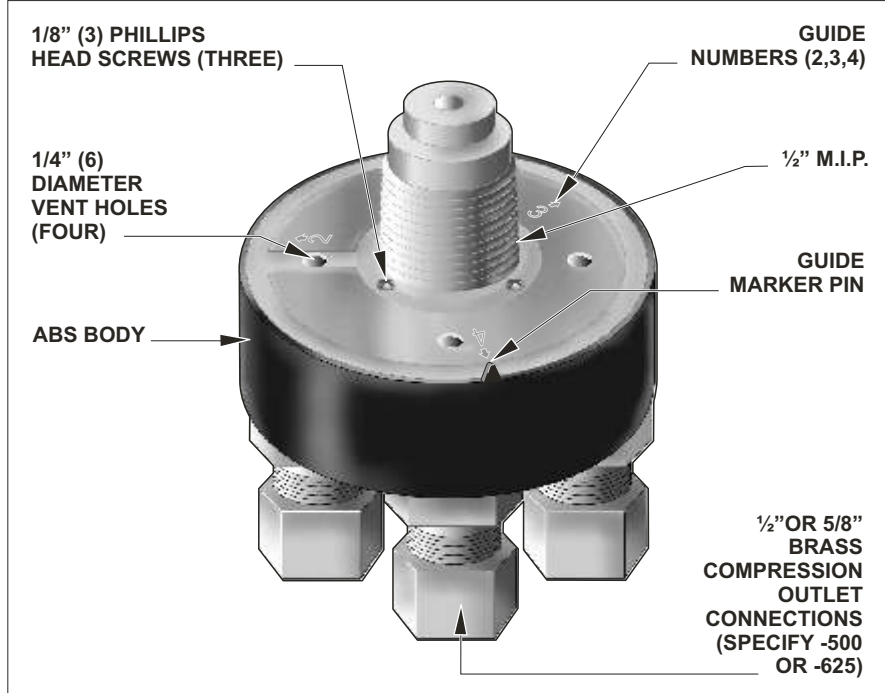


**MI-DU**

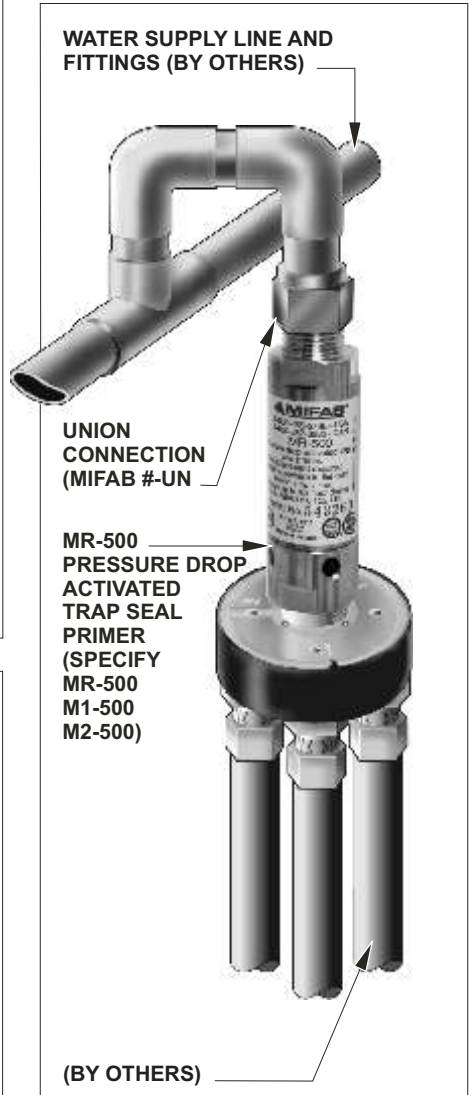
### TRAP SEAL PRIMER DISTRIBUTION UNIT

**Specification:** MIFAB® Series MI-DU trap seal primer distribution unit with four brass compression outlet connections (specify -500 for 1/2" or -625 for 5/8") ABS body and H.D.PE. lid with top 1/2" M.I.P. connection, four 1/4" diameter vent holes in the flange and three 1/8" diameter Phillips head screws to secure the lid to the body. Unit complete with four wall internal body design that aligns with the slots in the underside of the lid to distribute water evenly and to only the desired number of ports.

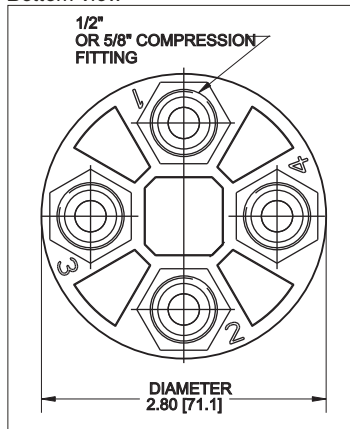
**Function:** Used underneath a pressure drop activated trap seal primer to distribute water to either two, three or four floor drain traps. The lid of the distribution unit is marked with the numbers 2, 3, & 4. Remove the three lid securing screws to rotate the lid to match the desired number of drains with the guide marker pin to provide priming only to the required ports. The underside of the MI-DU is marked accordingly with numbers 1-4 to for ease in determining which ports will receive the prime. The four wall internal body design ensures that water is only directed to the selected outlets. Note: The MI-DU is factory preset to deliver priming water to ports 1 and 2. Do not over torque the three lid screws when securing the lid back onto the body. It is not necessary to install MIFAB's distribution unit perfectly level. The unique design will distribute water uniformly when out of level. Select MI-DU-500 when installing with soft copper tube (1/2" O.D.) and MI-DU-625 when installing with hard copper tube (5/8" O.D.).



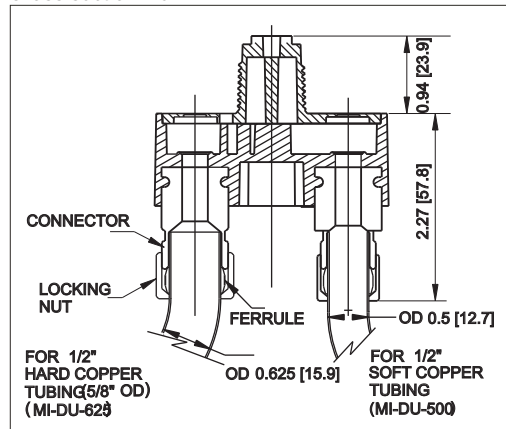
#### TYPICAL INSTALLATION



Bottom view



Cross section view



**Note:** U.S. Patent # 6,283,442, Canadian Patent # 2,287,103, Australia Patent #755777

- SUFFIX    OPTIONAL VARIATIONS:**
- 500    1/2" compression connections
  - 625    5/8" compression connections

Job Name _____	Page No: _____
Section No: _____	Contractor _____
Schedule No: _____	Purchase Order No: _____

MIFAB reserves the right to make changes in material and design without formal notice and obligation.

Location: \_\_\_\_\_



**MI-DU**

**TRAP SEAL PRIMER  
DISTRIBUTION UNIT**

## Trap Seal Primer Troubleshooting

Following are some things to trouble shoot when it comes to our M-500 Series of Trap Seal Primers (M1-500, M2-500, M-500).

### **1) What is the line pressure for the Installation?**

The M-500 Series will work in 35-80psi.

### **2) How far away is the trap seal primer from the source of the pressure drop?**

Anything farther away than 20 feet is an issue, as the farther the primer is away from the source of the pressure drop, the less likely it will sense it and work.

### **3) What is the pressure drop where the primer is?**

MIFAB's M-500 Series of primers will work with as little as 3 psi in pressure drop. With today's low flow and consumption faucets, there is less pressure drop being created when the faucets and toilets are used.

### **4) Water hammer arrestors on the line can also affect pressure drop in the line.**

It would be best to get a pressure reading where the trap primer is installed. The M-500 series needs a fast, sharp pressure drop to activate. The long pipe run to the trap primer and the water hammer arrestor may not be allowing the trap primer to function properly.

### **5) Look at the gauge fluctuation**

Is it a quick and sharp pressure drop? Or did it gradually drop? The trap primers need a quick pressure drop to activate. A slow gradual pressure drop may not be enough to activate the M-500. That is why we state that they should be as close to the pressure drop source as possible. The M1-500 has the most buoyant cartridge and should perform the best. If the trap primer looked good and was filled with water then it is the rate of the pressure drop that is causing the issue.

**Also refer to the copy in the Trap Seal Primer section in the MPB-2012-USA List Price book.**

Job Name: \_\_\_\_\_

Page No: \_\_\_\_\_

Section No: \_\_\_\_\_

Contractor: \_\_\_\_\_

Schedule No: \_\_\_\_\_

Purchase Order No: \_\_\_\_\_