



Botanical Study™ Conical Bell®

Above-counter/Wall-mount Bathroom Sink
K-14223-BT

Features

- Decorated with an intricate floral pattern on White background.
- Round bowl-like basin.
- No faucet holes; requires wall- or counter-mount faucet.
- Coordinates with other products with the Botanical Study design.

Material

- Vitreous china.

Installation

- Vessel

Recommended Products/Accessories

K-7114 Pop-Up Drain
K-7129 Drain
K-9018 P-Trap
K-9655 Wall-Mount Vessel Bracket

Included Components

Additional Components:
Adjustable linkage



ADA CSA B651

Codes/Standards

ASME A112.19.2/CSA B45.1
ADA
ICC/ANSI A117.1
CSA B651

KOHLER® One-Year Limited Warranty

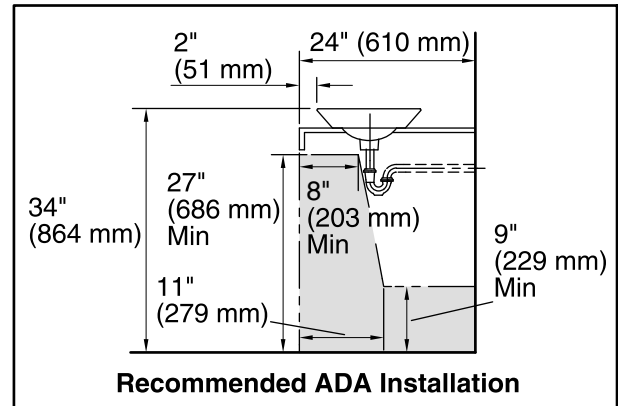
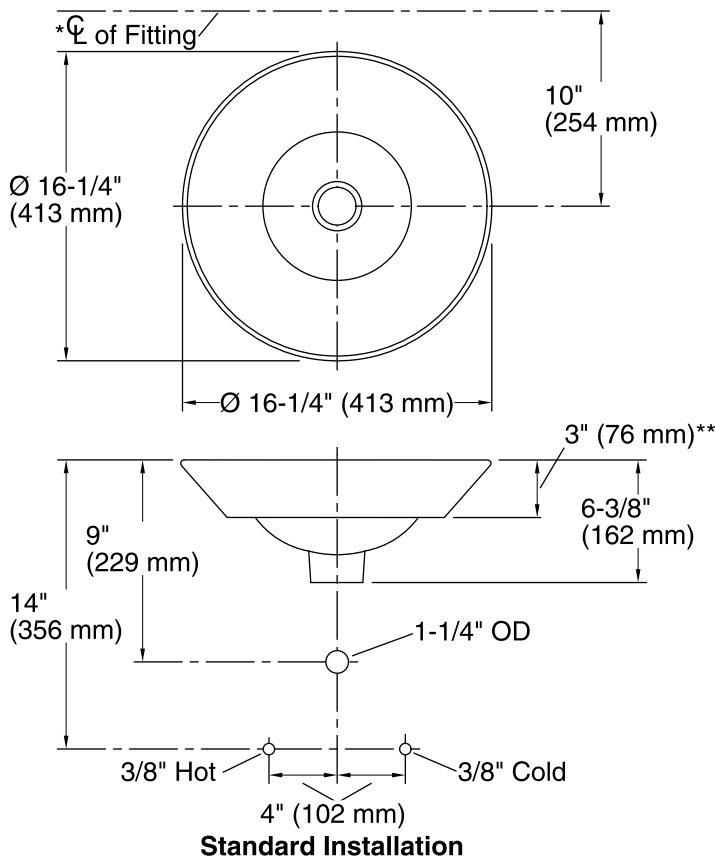
See website for detailed warranty information.

Available Colors/Finishes

Color tiles intended for reference only.

| Color | Code | Description |
|-------|------|-------------|
|-------|------|-------------|

| | | |
|--------------------------------------------------------------------------------------|---|-------|
|  | 0 | White |
|--------------------------------------------------------------------------------------|---|-------|



Technical Information

All product dimensions are nominal.

| | |
|---------------------|------------------------------------------------------------|
| Bowl configuration: | Single |
| Installation: | Vessel, Wall-mount |
| Bowl area (Only): | Diameter: 15-7/8" (403 mm) Water depth: 4-1/4" (108 mm) |
| Drain hole: | 1-3/4" (44 mm) |
| Template: | 1002980-7, required, included |

Notes

Install this product according to the installation instructions.

*Spout must be 5" (127 mm) long (min) for adequate clearance into the bathroom sink when installed with centerline as shown.

NOTICE: Countertop manufacturer or cutter must use the cut-out template provided with the product, or a current one provided by Kohler Co. (call 1-800-4-KOHLER). Kohler Co. is not responsible for cut-out errors when the incorrect cut-out template is used.

ADA, CSA B651 compliant when installed to the specific requirements of these regulations.