



PRO Series® Food Waste Disposers

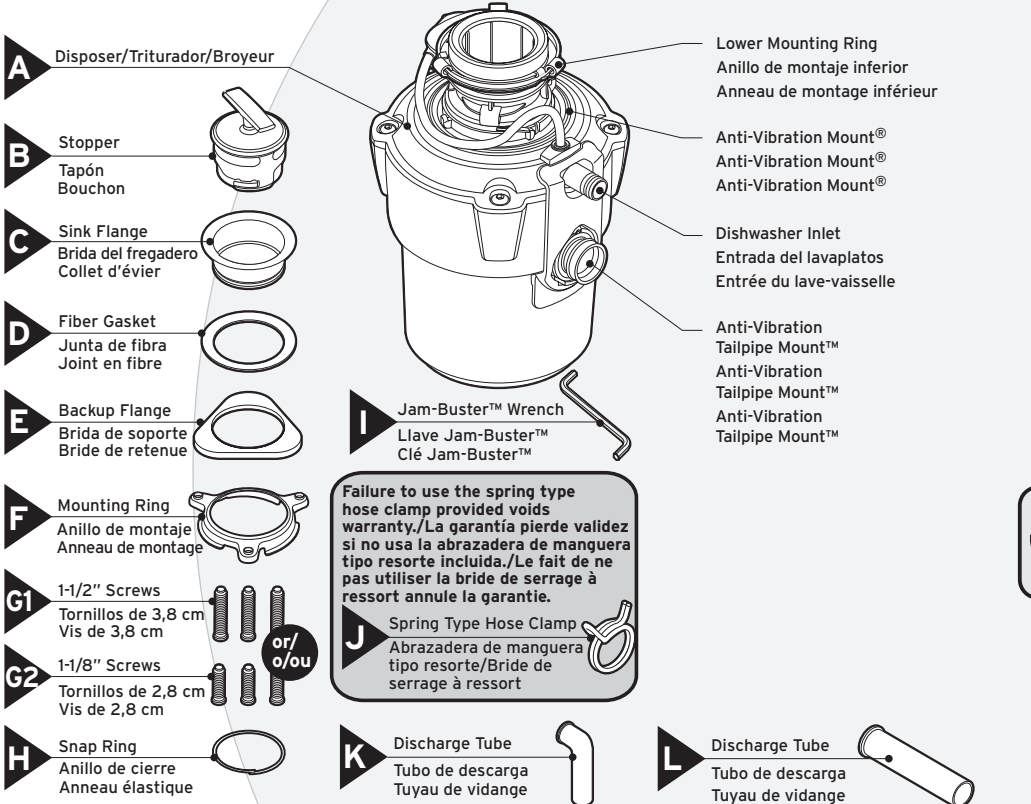
COVERED ACTIVATION FOOD WASTE DISPOSER
TRITURADOR DE DESPERDICIOS DE ALIMENTOS ACTIVADO POR TAPÓN
BROYEUR DE DÉCHETS À ACTIVATION COUVERTE

Exclusively for professional plumbing contractors.
Exclusivamente para contratistas profesionales de plomería.
Exclusivement pour les entrepreneurs en plomberie professionnels.

AnswerLine®
1-800-558-5700

www.insinkerator.com

Includes/Incluye/Comprend



Failure to use the spring type hose clamp provided voids warranty. La garantía pierde validez si no usa la abrazadera de manguera tipo resorte incluida. Le fait de ne pas utiliser la bride de serrage à ressort annule la garantie.

Spring Type Hose Clamp/Abrazadera de manguera tipo resorte incluida./Placer le tuyau (K ou L) dans le dispositif Anti-Vibration Tailpipe Mount™. Utilisez les tuyaux fournis pour obtenir de meilleurs résultats. Fixer avec la bride de serrage à ressort (J). * AVIS : Le fait de ne pas utiliser la bride de serrage à ressort annule la garantie.

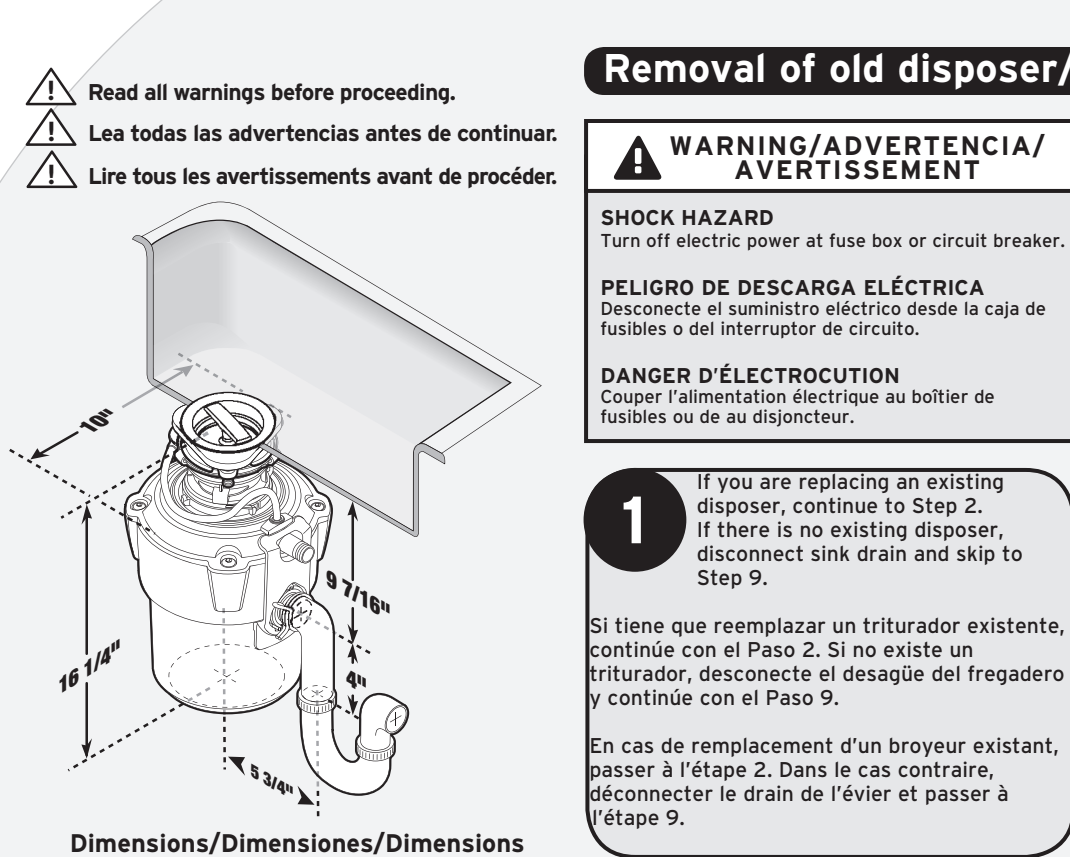
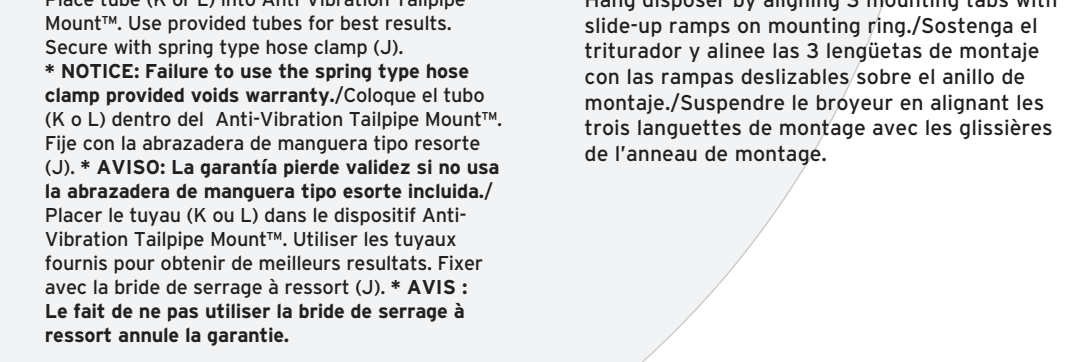
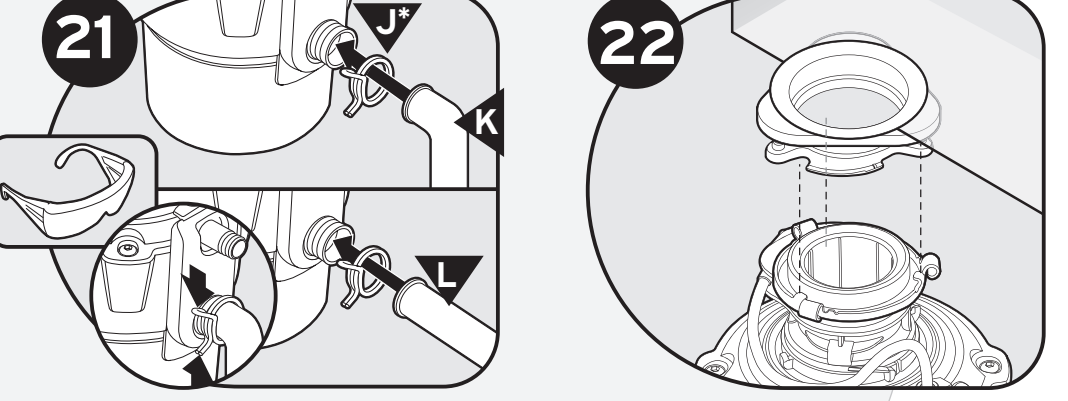
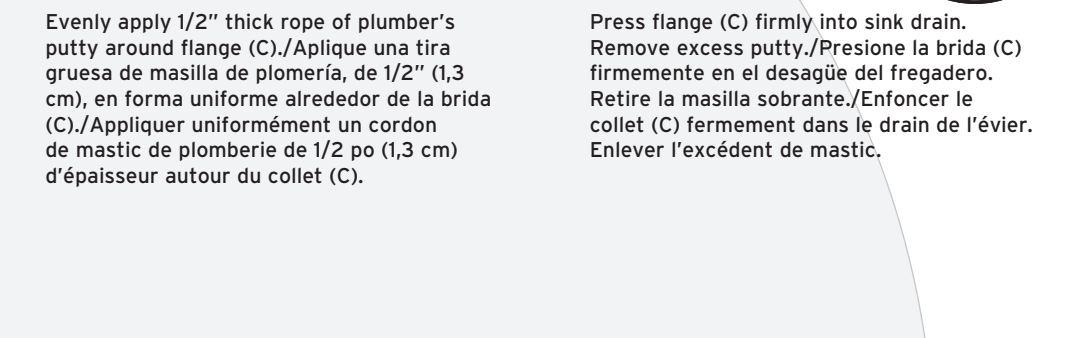
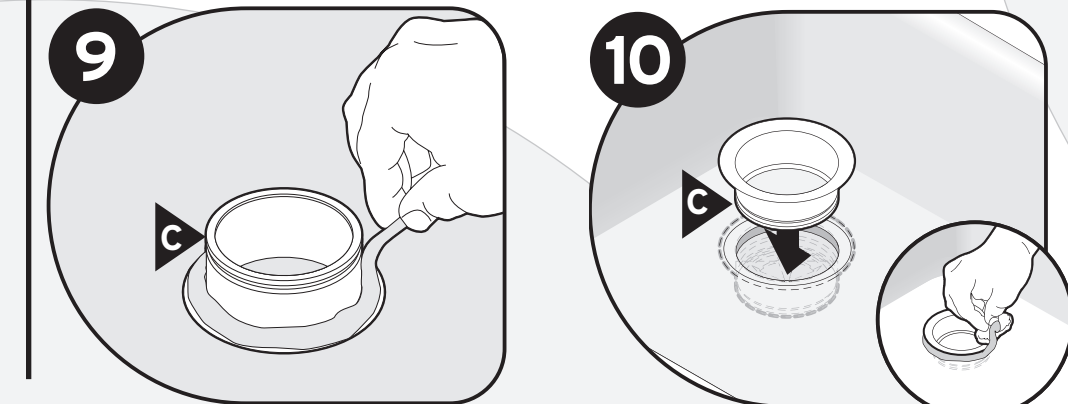
The Evolution Series® by InSinkErator® sets the standard in sound and grind performance. Featuring exclusive patented SoundSeal® and MultiGrind® technologies, no food waste disposer grinds more with less noise.

La serie Evolution® de InSinkErator® define la norma en desempeño de sonido y trituración. Con las exclusivas tecnologías patentadas SoundSeal® y MultiGrind®, ningún triturador de desperdicios tritura más con menos ruido.

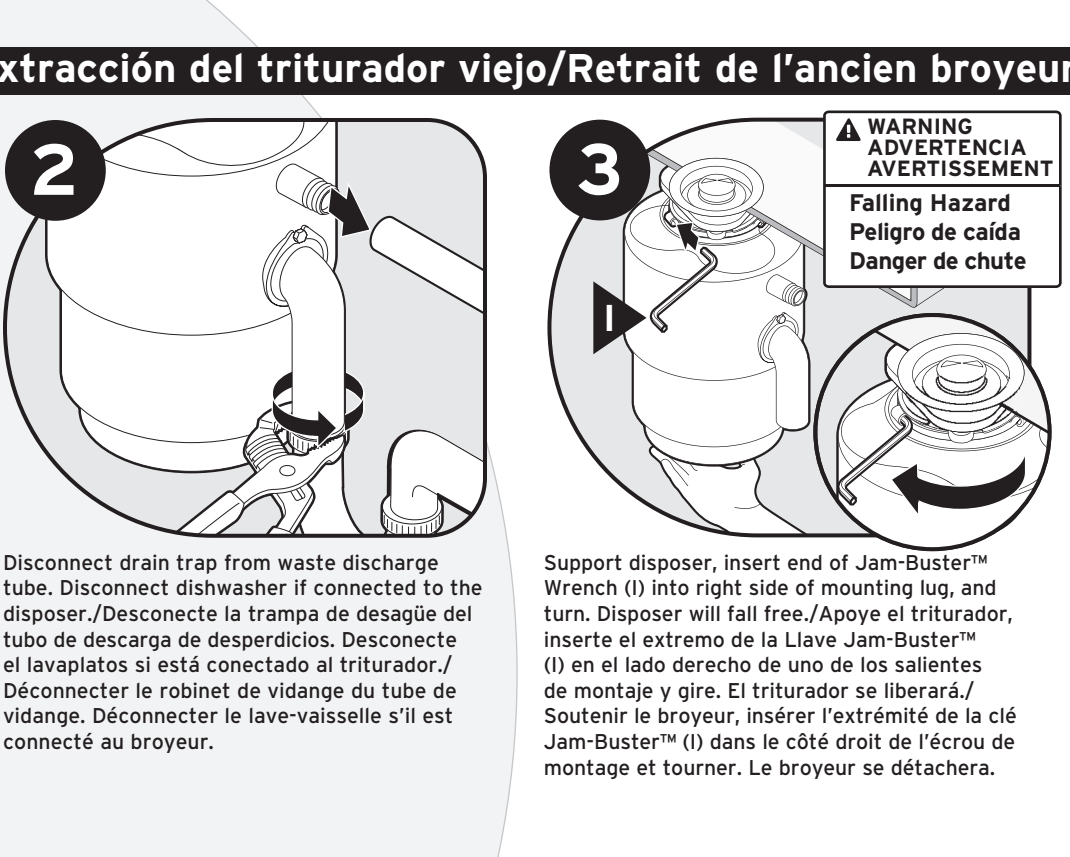
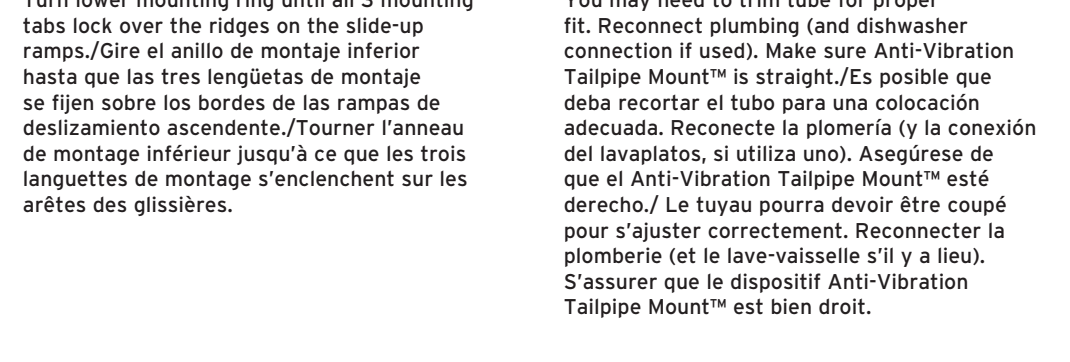
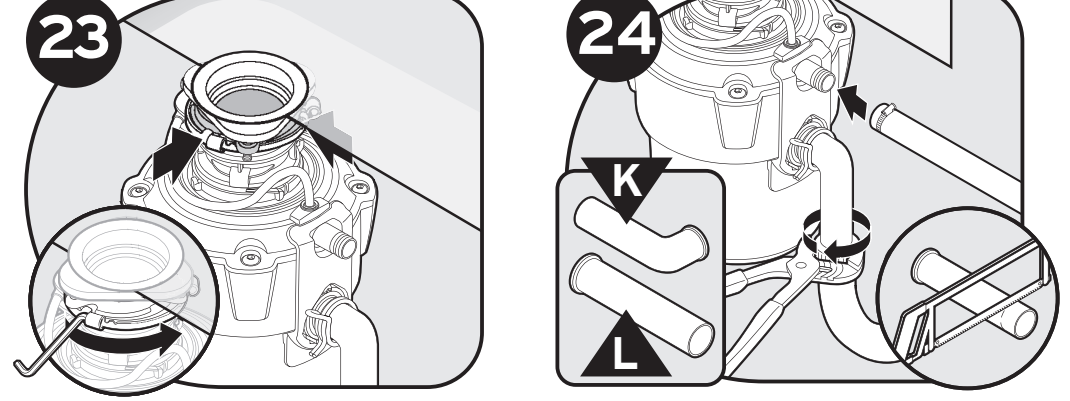
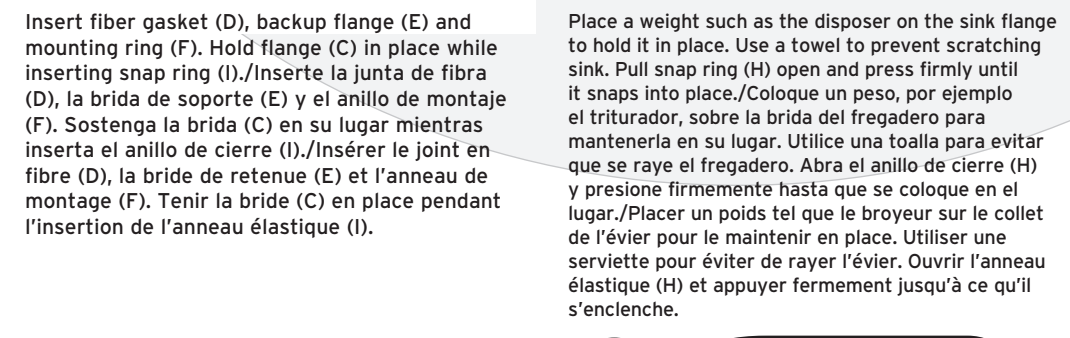
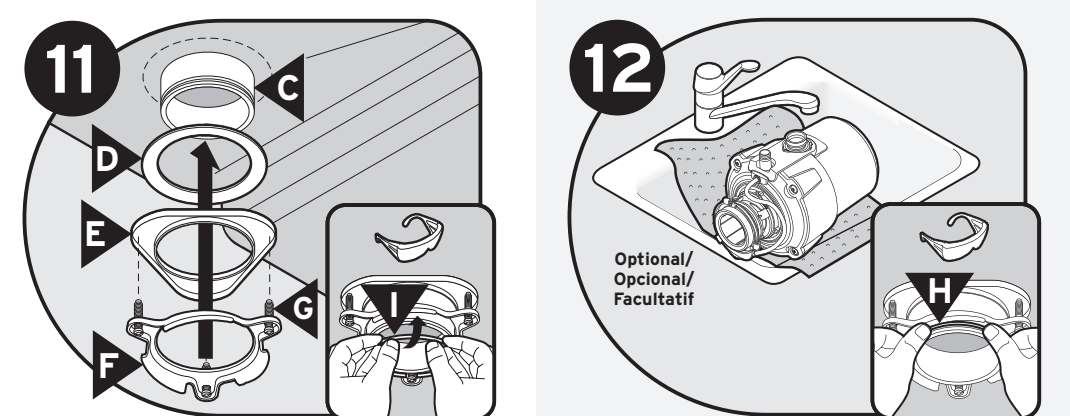
La série Evolution Series® d'InSinkErator® établit la norme en matière de son et de rendement de broyage. Caractérisée par des technologies exclusives brevetées SoundSeal® et MultiGrind®, aucun autre broyeur ne broie plus de déchets aussi silencieusement.



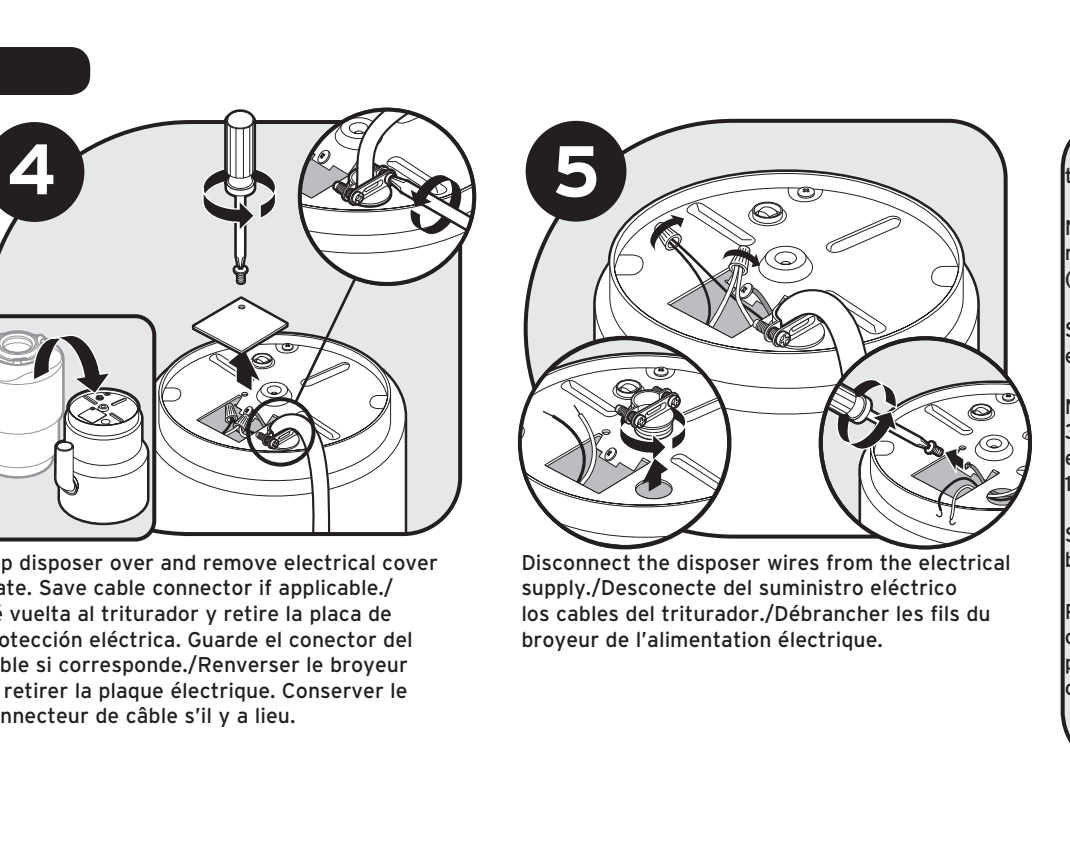
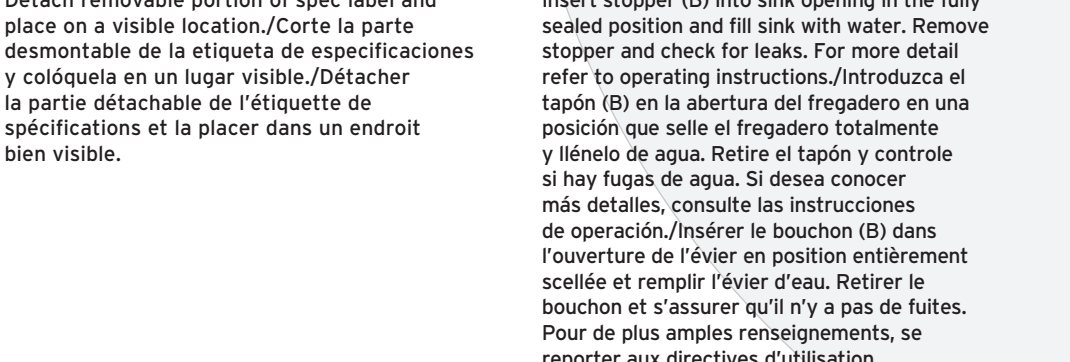
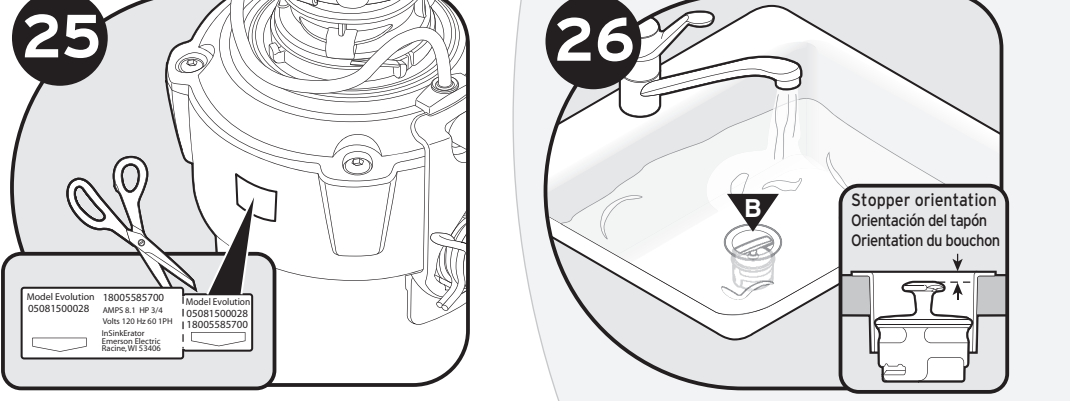
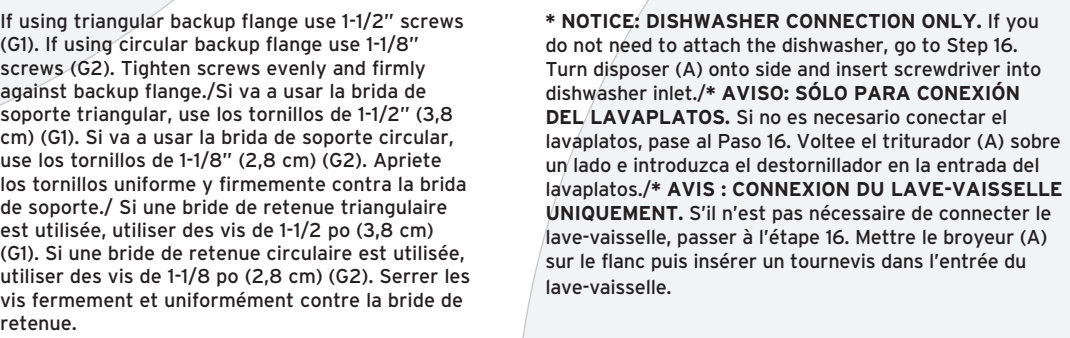
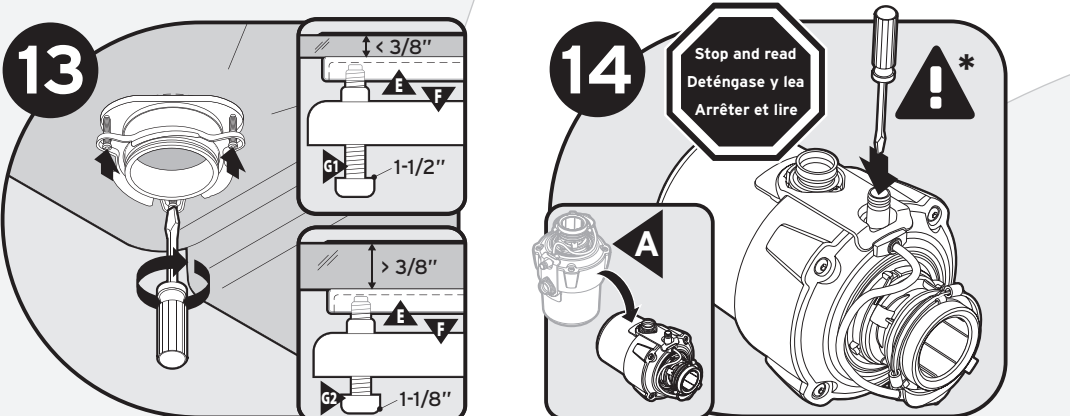
Installation Instructions/Instrucciones de Instalación/Instructions d'installation



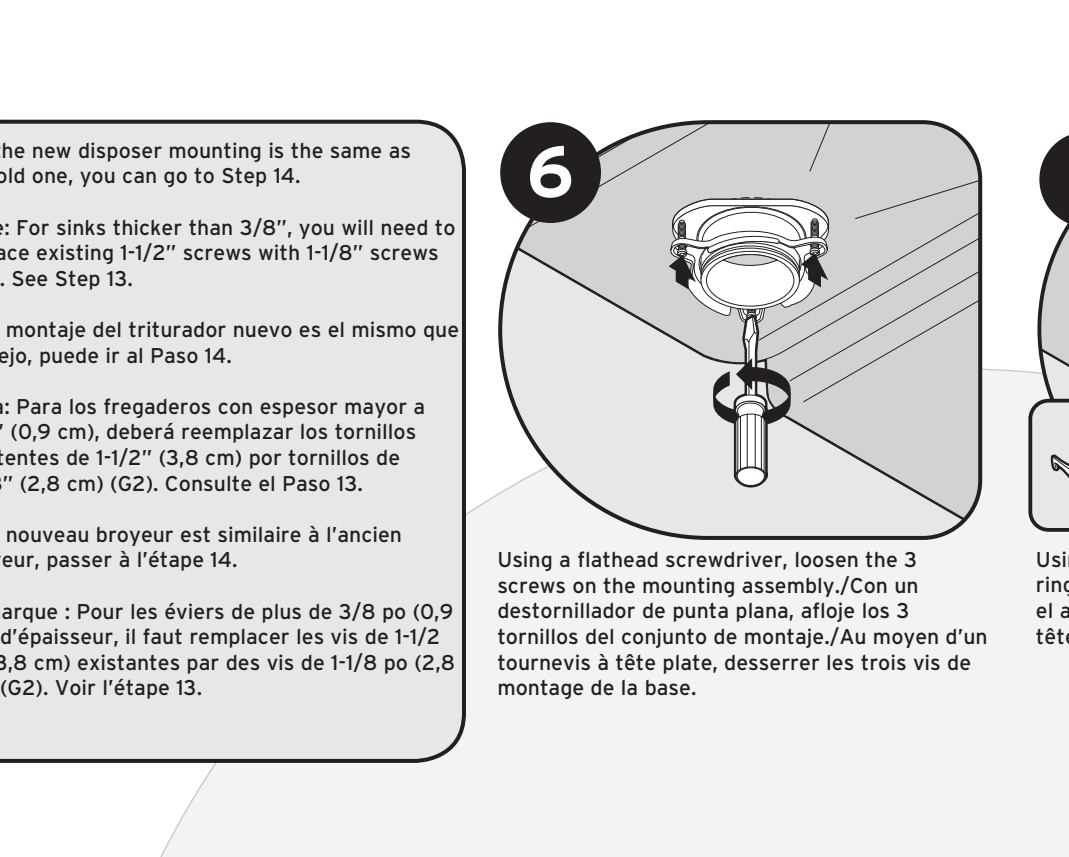
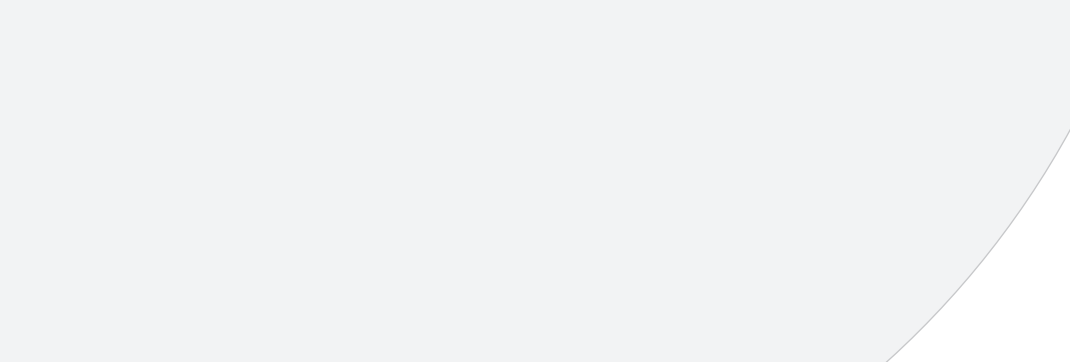
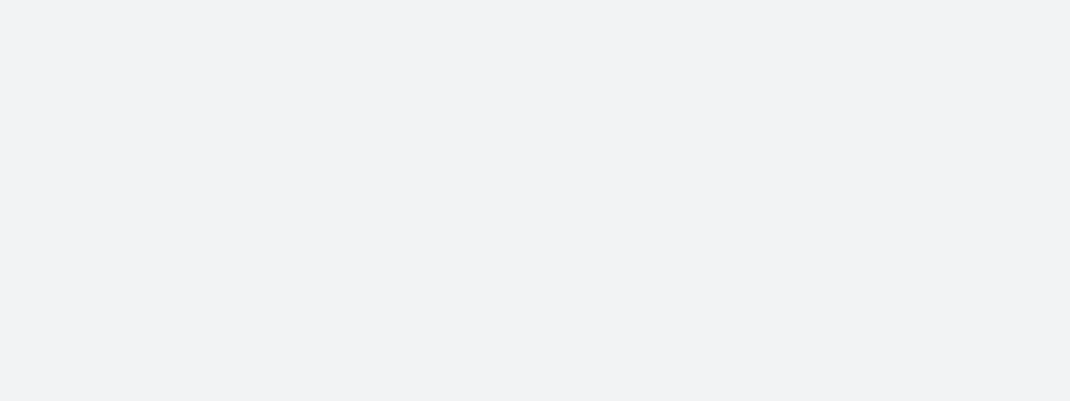
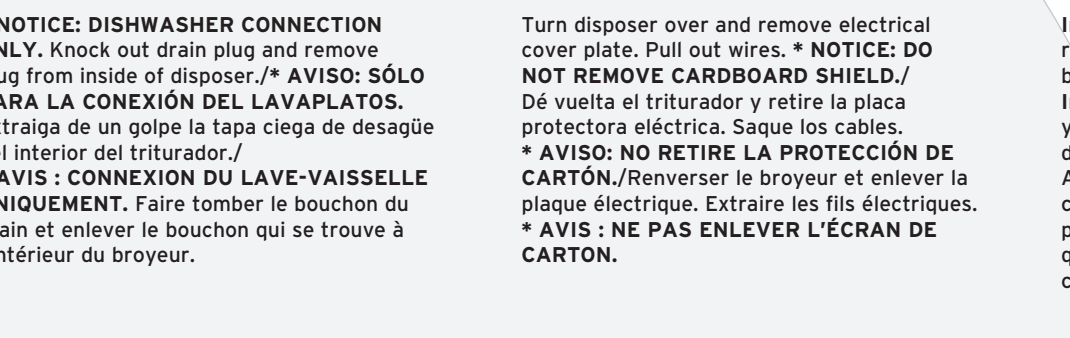
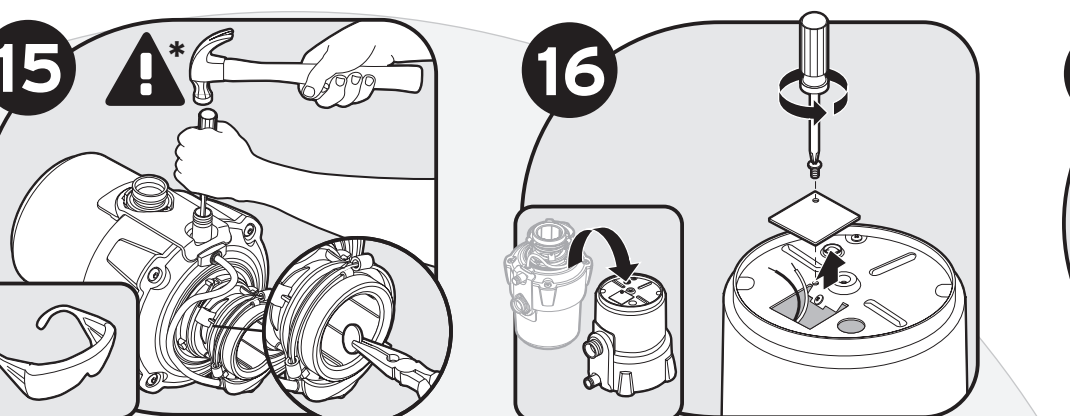
Removal of old disposer/Extracción del triturador viejo/Retrait de l'ancien broyeur



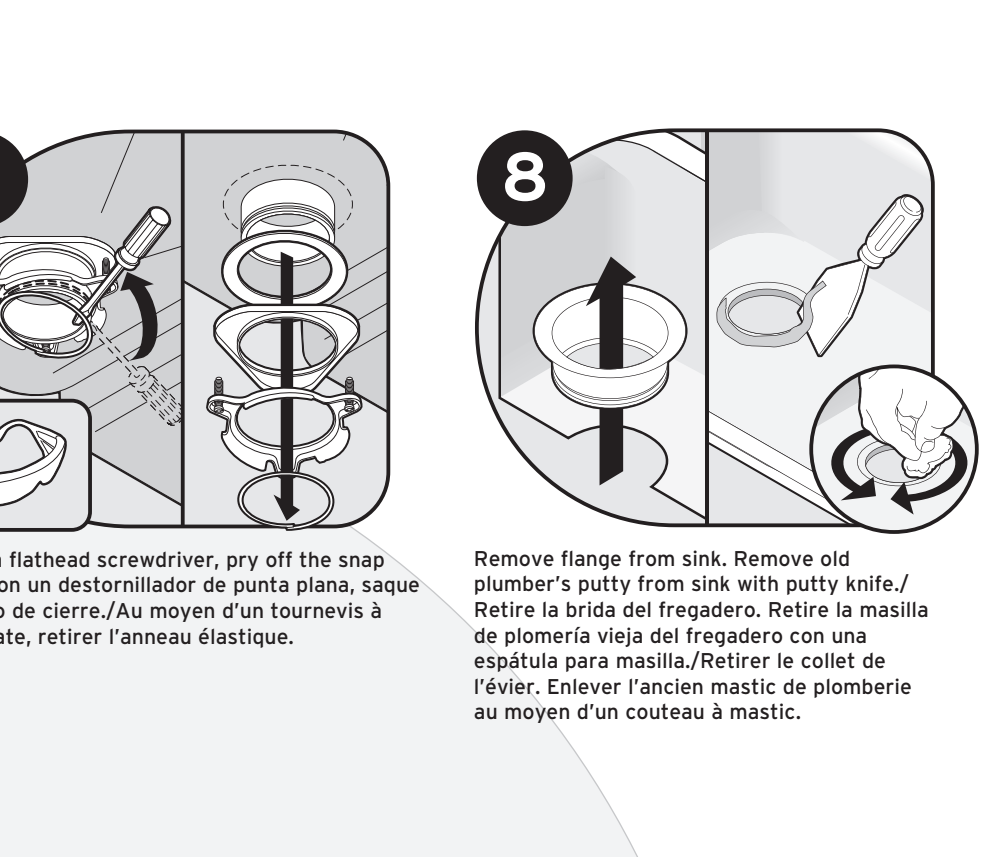
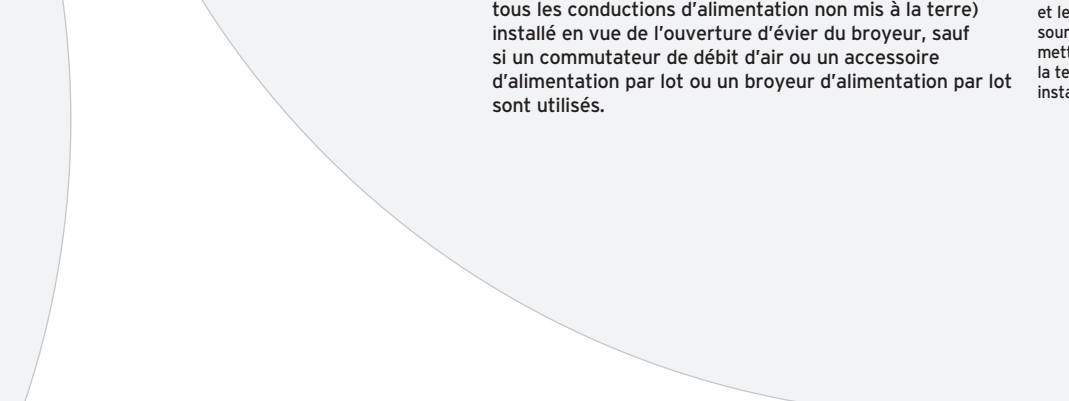
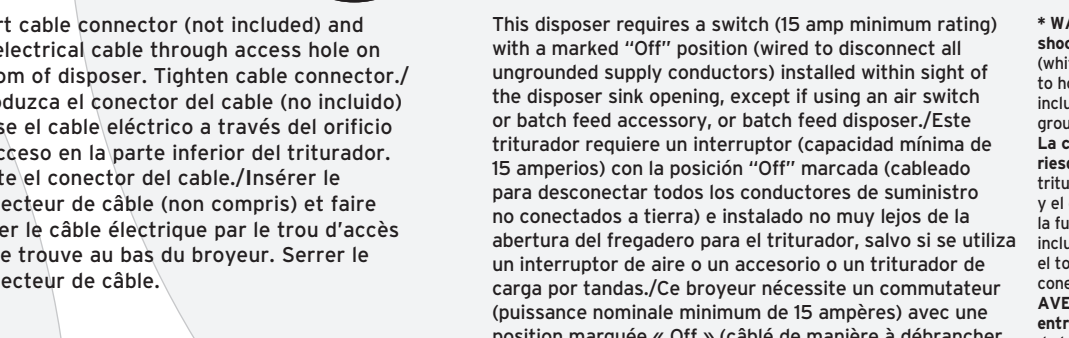
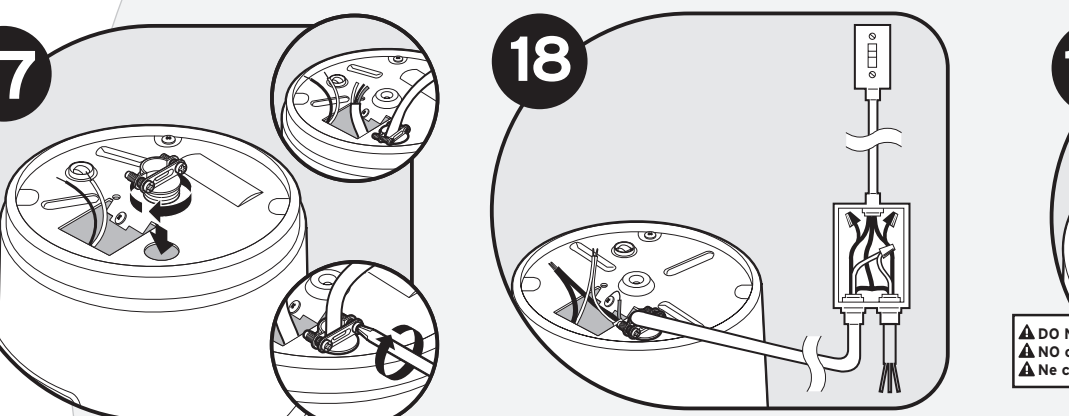
Removal of old disposer/Extracción del triturador viejo/Retrait de l'ancien broyeur



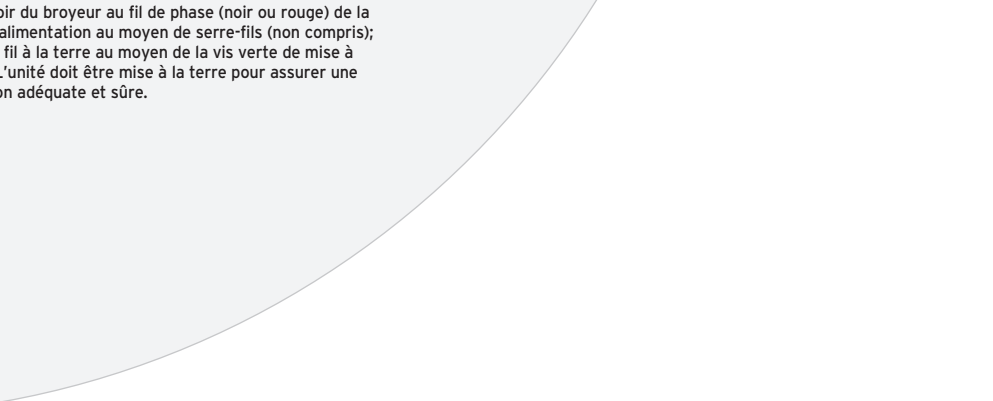
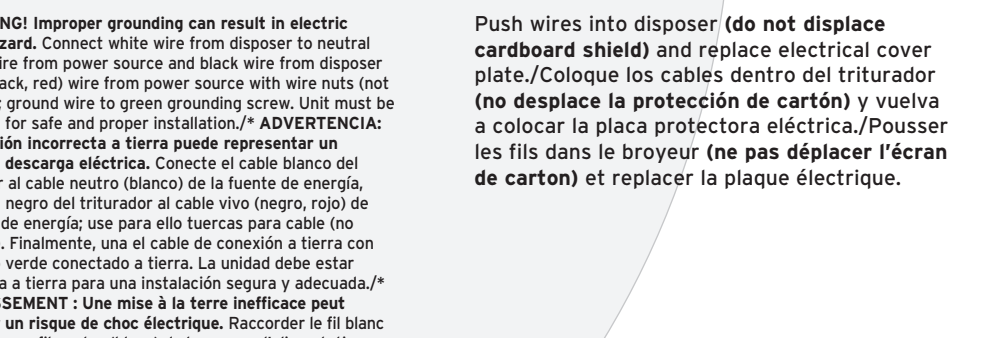
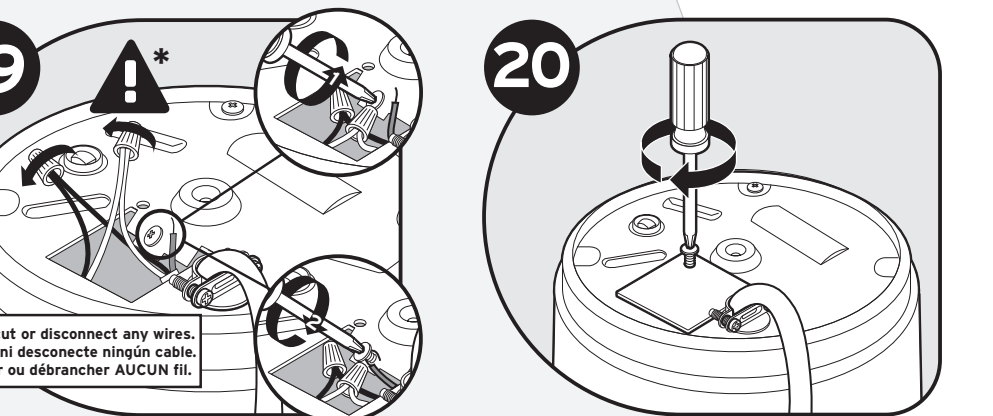
Removal of old disposer/Extracción del triturador viejo/Retrait de l'ancien broyeur



Removal of old disposer/Extracción del triturador viejo/Retrait de l'ancien broyeur



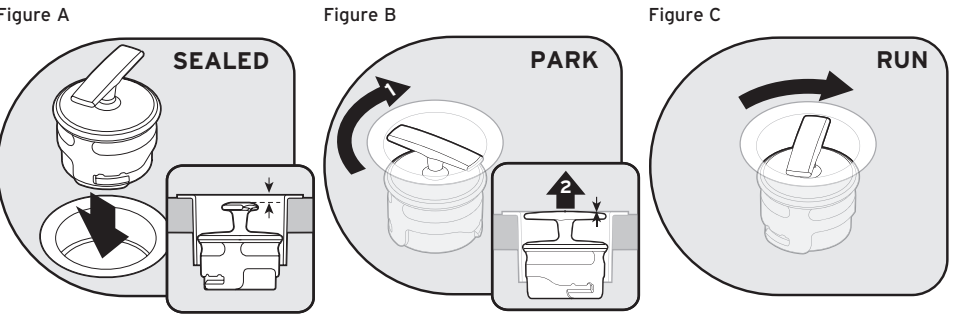
Removal of old disposer/Extracción del triturador viejo/Retrait de l'ancien broyeur



OPERATING INSTRUCTIONS INSTRUCCIONES DE OPERACION MODE D'EMPLOI

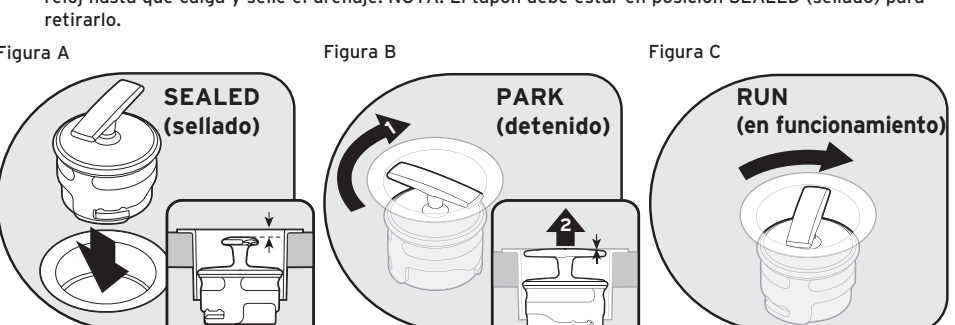
ENGLISH

- Place food waste into disposer grind chamber. Do not pack chamber with waste. Run a strong flow of cold water and place stopper back in sink opening.
- Place stopper in the SEALED (down) position. (See Figure A).
- Turn the stopper clockwise. The stopper will raise into the PARK position, allowing water to flow into the disposer grind chamber. (See Figure B).
- With stopper in PARK position, continue turning stopper clockwise until disposer RUNS. (See Figure C).
- After grinding, turn the stopper counter-clockwise into the PARK position, allowing water to flow into the disposer grind chamber.
- To return to the SEALED position, continue turning stopper counter-clockwise until stopper drops down and seals the drain. NOTE: Stopper must be in SEALED position to be removed.



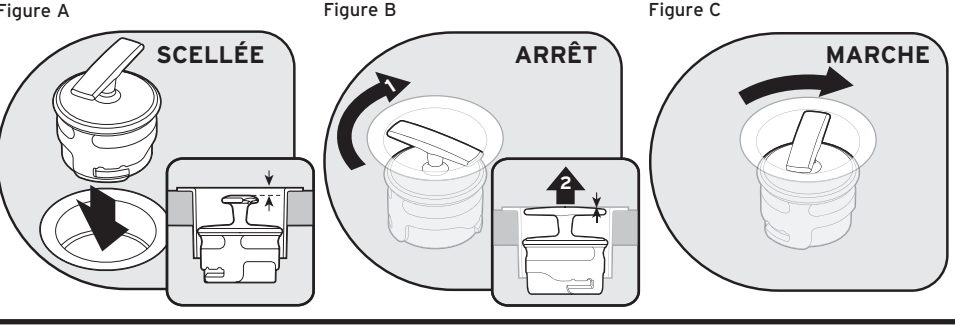
ESPAÑOL

- Coloque los desperdicios de comida en la cámara de trituración del triturador. Tenga cuidado de que la cámara no quede llena de residuos. Deje circular un buen volumen de agua fría y coloque el tapón nuevamente en la abertura del fregadero.
- Coloque el tapón en posición SEALED (sellado) (hacia abajo). (Ver Figura A).
- Gire el tapón en el sentido de las agujas del reloj. El tapón se levantará hacia la posición PARK (detenido), para permitir que el agua circule hacia la cámara de trituración del triturador. (Ver Figura B).
- Con el tapón en la posición PARK (detenido), siga girándolo en el sentido de las agujas del reloj hasta que llegue a la posición RUN (en funcionamiento). (Ver Figura C).
- Después de la trituración, gire el tapón en el sentido contrario a las agujas del reloj hacia la posición PARK (detenido), para permitir que el agua circule hacia la cámara de trituración del triturador.
- Para volver a la posición SEALED (sellado), siga girando el tapón en el sentido contrario a las agujas del reloj hasta que caiga y selle el drenaje. NOTA: El tapón debe estar en posición SEALED (sellado) para retirarlo.



FRANÇAIS

- Placer les déchets alimentaires dans la cuve de broyeur du broyeur.
- Né pas la remplir de déchets. Faire couler un fort débit d'eau froide et replacer le bouchon dans la ouverture de l'évier.
- Placer le bouchon en position SCÉLÉE (vers le bas). (Se reporter à la Figure A).
- Tourner le bouchon dans le sens horaire. Le bouchon se soulèvera en position d'ARRÊT pour laisser l'eau s'écouler dans la cuve de broyeur du broyeur. (Se reporter à la Figure B).
- Avec le bouchon en position ARRÊT, continuer de le tourner dans le sens horaire jusqu'à ce que le bouchon se mette en position MARCHÉ. (Se reporter à la Figure C).
- Après le broyage, tourner le bouchon dans le sens antihoraire jusqu'à la position d'ARRÊT pour laisser l'eau s'écouler dans la cuve de broyeur du broyeur.
- Pour revenir à la position SCÉLÉE, continuer à tourner le bouchon dans le sens antihoraire jusqu'à ce qu'il s'enfonce et scelle le drain.



ENGLISH

INSTRUCTIONS PERTAINING TO RISK OF FIRE, ELECTRIC SHOCK, OR INJURY TO PERSONS

IMPORTANT SAFETY INSTRUCTIONS

WARNING
Personal Injury: Do not position your head or body under disposer; unit could fall during removal or installation.

GROUNDING INSTRUCTIONS
For all grounded, cord-connected disposers: This disposer must be grounded to reduce the risk of electric shock in the event of a malfunction or breakdown. Grounding provides a path of least resistance for electric current. This disposer is equipped with a cord having an equipment-grounding conductor and a grounding plug. The plug must be plugged into an outlet that is properly installed and grounded in accordance with all local codes and ordinances.

For permanently connected disposers: This disposer must be connected to a grounded, metal, permanent wiring system, or an equipment-grounding conductor must be run with the circuit conductor and connected to the equipment-grounding terminal or lead on the disposer.

For permanently connected disposers: This disposer must be connected to a grounded, metal, permanent wiring system, or an equipment-grounding conductor must be run with the circuit conductor and connected to the equipment-grounding terminal or lead on the disposer.

WARNING When using electric appliances, basic precautions are always to be followed, including:

- Read all instructions before using the appliance.
- To reduce the risk of injury, close switch before required when an appliance is used near children.
- Do not put fingers or hands into a waste disposer.
- Turn the power switch to the off position before attempting to clear a jam, removing an object from the disposer or pressing reset button.
- When attempting to loosen a jam in a waste disposer, use the self-service Jam-Buster™ Wrench.
- When attempting to remove objects from a waste disposer, use long-handled tongs or pliers.
- Do not put the following into a disposer: clam or oyster shells, caustic drain cleaners or similar products, glass, china, or plastic, large (whole) bones, metal (such as bottle caps, steel shot, tin cans, or pens), hot grease or other hot liquids.
- When not operating a disposer, leave the stopper in place to reduce the risk of objects falling into the disposer.

SAVE THESE INSTRUCTIONS

OPERATING INSTRUCTIONS

DO...
First turn on cold water and then turn on the disposer. Continue running cold water for several seconds after grinding is completed to flush the drain line.
Grind hard materials such as small bones, fruit pits, and ice. A scouring action is created by the particles inside the grind chamber.
Grind peelings from citrus fruits to freshen up drain smells.
Use a disposer cleaner, degreaser, or deodorizer as necessary to relieve objectionable odors caused by grease build-up.

DON'T...
DON'T POUR GREASE OR FAT DOWN YOUR DISPOSER OR ANY DRAIN. IT CAN BUILD UP IN PIPES AND CAUSE DRAIN BLOCKAGES. PUT GREASE IN A JAR OR CAN AND DISPOSE IN THE TRASH.
Don't use hot water when grinding food waste. It is OK to drain hot water into the disposer between grinding periods.
Don't fill disposer with a lot of vegetable peels all at once. Instead, feed into disposer in multiple batches.
Don't grind large amounts of egg shells or fibrous materials like corn husks, artichokes, etc., to avoid possible drain blockage.
Don't turn off disposer until grinding is completed and only sound of motor and water is heard.

InsinkErator® may make improvements and/or changes in the specifications at any time, in its sole discretion, without notice or obligation and further reserves the right to change or discontinue models. The mounting collar configuration is a trademark of Emerson Electric Co.

USER-MAINTENANCE INSTRUCTIONS

CLEANING DISPOSER

Over time, food particles may accumulate in the grind chamber and baffle. An odor from the disposer is usually a sign of food buildup. To clean disposer:

- Place stopper in sink opening and fill sink halfway with warm water.
- Mix 1/4 cup baking soda with water. Turn disposer on to wash away loose particles.
- Stopper may be cleaned by hand or in dishwasher.

RELEASING DISPOSER JAM
If motor stops while disposer is operating, disposer may be jammed. To release jam:

- Turn off disposer and water.
- Insert our self-service Jam-Buster™ Wrench into center hole on bottom of disposer (see Figure D).
- Work Jam-Buster™ Wrench back and forth until it turns one full revolution. Remove Jam-Buster™ Wrench.
- Reach into disposer with tongs and remove objects. Allow disposer motor to cool for 3 - 5 minutes, then lightly push reset button on disposer bottom (see Figure E). (If motor remains inoperative, check service panel for tripped circuit breakers or blown fuses.)



9 YEAR IN-HOME FULL SERVICE WARRANTY
This warranty is provided by InsinkErator®, a division of Emerson Electric Co., ("InsinkErator" or "Manufacturer" or "we" or "our" or "us") to the original consumer owner of the InsinkErator Product. This warranty is provided for a period of 9 years (the "Warranty Period"), commencing on the later of: (a) the date your InsinkErator Product is originally installed, (b) the date of purchase, or (c) the date of manufacture as identified by your InsinkErator Product serial number. You will be required to show written documentation supporting (a) or (b). If you are unable to provide documentation supporting (a) or (b), the Warranty Period commencement date will be determined by Manufacturer, in its sole and absolute discretion, based upon your InsinkErator Product serial number.

InsinkErator warrants to Customer that your InsinkErator Product will be free from defects in materials and workmanship, subject to its sole and absolute discretion, for a period of 9 years (the "Warranty Period"), commencing on the later of: (a) the date your InsinkErator Product is originally installed, (b) the date of purchase, or (c) the date of manufacture as identified by your InsinkErator Product serial number. You will be required to show written documentation supporting (a) or (b). If you are unable to provide documentation supporting (a) or (b), the Warranty Period commencement date will be determined by Manufacturer, in its sole and absolute discretion, based upon your InsinkErator Product serial number.

What is Covered
This warranty covers defects in materials or workmanship, subject to the exclusions below, in InsinkErator Products used by a consumer Customer for residential use only, and includes all replacement parts and labor costs. YOUR SOLE AND EXCLUSIVE REMEDY UNDER THIS LIMITED WARRANTY SHALL BE LIMITED TO REPAIR OR REPLACEMENT OF THE INSINKERATOR PRODUCT.

What is Not Covered
This limited warranty does not extend to and expressly excludes:
• Losses or damages or the inability to operate your InsinkErator Product resulting from conditions beyond the Manufacturer's control including, without limitation, accident, alteration, misuse, abuse, neglect, negligence, or the Manufacturer's failure to install, maintain, assemble, or mount the InsinkErator Product in accordance with Manufacturer's instructions or local electrical code.
• Wear and tear expected to occur during the normal course of use, including without limitation, cosmetic rust, scratches, dents or comparable reasons that do not constitute property or equipment damage.
• In addition to the above exclusions, this warranty does not apply to InsinkErator Products installed in a commercial or industrial application.

No Other Express Warranty Applies
If your InsinkErator Product does not have warranty provided to the Customer identified above. No other express warranty, written or verbal, applies. No employee, agent, dealer, or other person is authorized to alter this limited warranty or make any other warranty on behalf of Manufacturer. The terms of this warranty shall not be modified by the Manufacturer, the original owner, or their respective successors or assigns.

What We Will do to Correct Problems
If your InsinkErator Product does not operate in accordance with the documentation provided to you, or you have questions concerning your InsinkErator Product or how to determine when service is needed, please call the toll free InsinkErator AnswerLine® at 1 (800) 558-5700, or visit our website at www.insinkerator.com. You may also notify us at:

Food waste disposers provide an environmentally responsible alternative to transporting food waste to a landfill. They can help reduce greenhouse gas emissions from wastewater treatment plants. Food waste can be converted to bioblasts and used as fertilizer. Capable plants can also recycle food waste into renewable energy. (Check the plant in your area.)

For U.S. www.insinkerator.com/green For Canada www.insinkerator.ca

ESPAÑOL

INSTRUCCIONES CORRESPONDIENTES A RIESGO DE INCENDIO, DESCARGAS ELÉCTRICAS O LESIONES A PERSONAS

INSTRUCCIONES IMPORTANTES PARA SU SEGURIDAD

ADVERTENCIA
Lesiones personales: No coloque la cabeza ni el cuerpo debajo del triturador, ya que la unidad podría caerse mientras lo retira o instala.

INSTRUCCIONES PARA LA CONEXIÓN A TIERRA
Instrucciones para todos los trituradores con conexión a tierra conectados por cable: El triturador debe estar conectado a tierra a fines de reducir el riesgo de descarga eléctrica en caso de mal funcionamiento o avería. La conexión a tierra proporciona una vía de menor resistencia para la corriente eléctrica. Este triturador está equipado con un cable que tiene un conductor de conexión a tierra del equipo y un enchufe de conexión a tierra. El enchufe debe estar conectado a un tomacorriente que está instalado correctamente y con conexión a tierra de acuerdo con todos los reglamentos y códigos locales.

INSTRUCCIONES PARA LOS TRITURADORES DE DESPERDICIOS DE COMIDA DE CONEXIÓN PERMANENTE:
El triturador debe estar conectado a un sistema de cableado permanente de metal y con conexión a tierra, o bien el conductor de conexión a tierra del equipo debe funcionar junto con los conductores de circuito y estar conectado al cable o terminal con conexión a tierra del equipo del triturador.

INSTRUCCIONES PARA LOS TRITURADORES DE DESPERDICIOS DE COMIDA DE CONEXIÓN PERMANENTE:
El triturador debe estar conectado a un sistema de cableado permanente de metal y con conexión a tierra, o bien el conductor de conexión a tierra del equipo debe funcionar junto con los conductores de circuito y estar conectado al cable o terminal con conexión a tierra del equipo del triturador.

9 YEAR IN-HOME FULL SERVICE WARRANTY
This warranty is provided by InsinkErator®, a division of Emerson Electric Co., ("InsinkErator" or "Manufacturer" or "we" or "our" or "us") to the original consumer owner of the InsinkErator Product. This warranty is provided for a period of 9 years (the "Warranty Period"), commencing on the later of: (a) the date your InsinkErator Product is originally installed, (b) the date of purchase, or (c) the date of manufacture as identified by your InsinkErator Product serial number. You will be required to show written documentation supporting (a) or (b). If you are unable to provide documentation supporting (a) or (b), the Warranty Period commencement date will be determined by Manufacturer, in its sole and absolute discretion, based upon your InsinkErator Product serial number.

InsinkErator warrants to Customer that your InsinkErator Product will be free from defects in materials and workmanship, subject to its sole and absolute discretion, for a period of 9 years (the "Warranty Period"), commencing on the later of: (a) the date your InsinkErator Product is originally installed, (b) the date of purchase, or (c) the date of manufacture as identified by your InsinkErator Product serial number. You will be required to show written documentation supporting (a) or (b). If you are unable to provide documentation supporting (a) or (b), the Warranty Period commencement date will be determined by Manufacturer, in its sole and absolute discretion, based upon your InsinkErator Product serial number.

What is Covered
This warranty covers defects in materials or workmanship, subject to the exclusions below, in InsinkErator Products used by a consumer Customer for residential use only, and includes all replacement parts and labor costs. YOUR SOLE AND EXCLUSIVE REMEDY UNDER THIS LIMITED WARRANTY SHALL BE LIMITED TO REPAIR OR REPLACEMENT OF THE INSINKERATOR PRODUCT.

What is Not Covered
This limited warranty does not extend to and expressly excludes:
• Losses or damages or the inability to operate your InsinkErator Product resulting from conditions beyond the Manufacturer's control including, without limitation, accident, alteration, misuse, abuse, neglect, negligence, or the Manufacturer's failure to install, maintain, assemble, or mount the InsinkErator Product in accordance with Manufacturer's instructions or local electrical code.
• Wear and tear expected to occur during the normal course of use, including without limitation, cosmetic rust, scratches, dents or comparable reasons that do not constitute property or equipment damage.
• In addition to the above exclusions, this warranty does not apply to InsinkErator Products installed in a commercial or industrial application.

No Other Express Warranty Applies
If your InsinkErator Product does not have warranty provided to the Customer identified above. No other express warranty, written or verbal, applies. No employee, agent, dealer, or other person is authorized to alter this limited warranty or make any other warranty on behalf of Manufacturer. The terms of this warranty shall not be modified by the Manufacturer, the original owner, or their respective successors or assigns.

What We Will do to Correct Problems
If your InsinkErator Product does not operate in accordance with the documentation provided to you, or you have questions concerning your InsinkErator Product or how to determine when service is needed, please call the toll free InsinkErator AnswerLine® at 1 (800) 558-5700, or visit our website at www.insinkerator.com. You may also notify us at:

Food waste disposers provide an environmentally responsible alternative to transporting food waste to a landfill. They can help reduce greenhouse gas emissions from wastewater treatment plants. Food waste can be converted to bioblasts and used as fertilizer. Capable plants can also recycle food waste into renewable energy. (Check the plant in your area.)

For U.S. www.insinkerator.com/green For Canada www.insinkerator.ca

INSTRUCCIONES DE MANTENIMIENTO PARA EL USUARIO

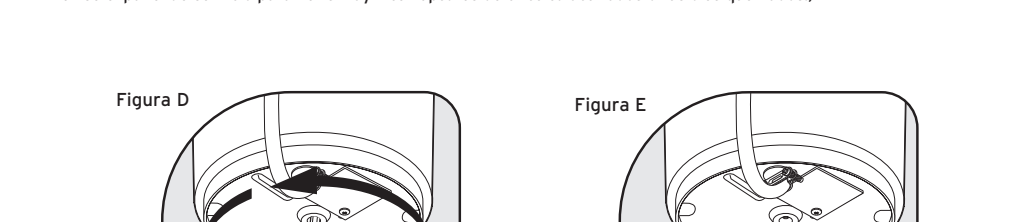
LIMPIEZA DEL TRITURADOR

Con el tiempo, pedruzcos de comida se acumulan en la cámara de trituración y el deflector. Los malos olores provenientes del triturador son generalmente un signo de acumulación de comida. Para limpiar el triturador:

- Place stopper in sink opening and fill sink halfway with warm water.
- Mix 1/4 cup of baking soda with water. Turn disposer on to wash away loose particles.
- Stopper may be cleaned by hand or in dishwasher.

RELEASING DISPOSER JAM
If motor stops while disposer is operating, disposer may be jammed. To release jam:

- Turn off disposer and water.
- Insert our self-service Jam-Buster™ Wrench into center hole on bottom of disposer (see Figure D).
- Work Jam-Buster™ Wrench back and forth until it turns one full revolution. Remove Jam-Buster™ Wrench.
- Reach into disposer with tongs and remove objects. Allow disposer motor to cool for 3 - 5 minutes, then lightly push reset button on disposer bottom (see Figure E). (If motor remains inoperative, check service panel for tripped circuit breakers or blown fuses.)



9 YEAR IN-HOME FULL SERVICE WARRANTY
This warranty is provided by InsinkErator®, a division of Emerson Electric Co., ("InsinkErator" or "Manufacturer" or "we" or "our" or "us") to the original consumer owner of the InsinkErator Product. This warranty is provided for a period of 9 years (the "Warranty Period"), commencing on the later of: (a) the date your InsinkErator Product is originally installed, (b) the date of purchase, or (c) the date of manufacture as identified by your InsinkErator Product serial number. You will be required to show written documentation supporting (a) or (b). If you are unable to provide documentation supporting (a) or (b), the Warranty Period commencement date will be determined by Manufacturer, in its sole and absolute discretion, based upon your InsinkErator Product serial number.

InsinkErator warrants to Customer that your InsinkErator Product will be free from defects in materials and workmanship, subject to its sole and absolute discretion, for a period of 9 years (the "Warranty Period"), commencing on the later of: (a) the date your InsinkErator Product is originally installed, (b) the date of purchase, or (c) the date of manufacture as identified by your InsinkErator Product serial number. You will be required to show written documentation supporting (a) or (b). If you are unable to provide documentation supporting (a) or (b), the Warranty Period commencement date will be determined by Manufacturer, in its sole and absolute discretion, based upon your InsinkErator Product serial number.

What is Covered
This warranty covers defects in materials or workmanship, subject to the exclusions below, in InsinkErator Products used by a consumer Customer for residential use only, and includes all replacement parts and labor costs. YOUR SOLE AND EXCLUSIVE REMEDY UNDER THIS LIMITED WARRANTY SHALL BE LIMITED TO REPAIR OR REPLACEMENT OF THE INSINKERATOR PRODUCT.

What is Not Covered
This limited warranty does not extend to and expressly excludes:
• Losses or damages or the inability to operate your InsinkErator Product resulting from conditions beyond the Manufacturer's control including, without limitation, accident, alteration, misuse, abuse, neglect, negligence, or the Manufacturer's failure to install, maintain, assemble, or mount the InsinkErator Product in accordance with Manufacturer's instructions or local electrical code.
• Wear and tear expected to occur during the normal course of use, including without limitation, cosmetic rust, scratches, dents or comparable reasons that do not constitute property or equipment damage.
• In addition to the above exclusions, this warranty does not apply to InsinkErator Products installed in a commercial or industrial application.

No Other Express Warranty Applies
If your InsinkErator Product does not have warranty provided to the Customer identified above. No other express warranty, written or verbal, applies. No employee, agent, dealer, or other person is authorized to alter this limited warranty or make any other warranty on behalf of Manufacturer. The terms of this warranty shall not be modified by the Manufacturer, the original owner, or their respective successors or assigns.

What We Will do to Correct Problems
If your InsinkErator Product does not operate in accordance with the documentation provided to you, or you have questions concerning your InsinkErator Product or how to determine when service is needed, please call the toll free InsinkErator AnswerLine® at 1 (800) 558-5700, or visit our website at www.insinkerator.com. You may also notify us at:

Food waste disposers provide an environmentally responsible alternative to transporting food waste to a landfill. They can help reduce greenhouse gas emissions from wastewater treatment plants. Food waste can be converted to bioblasts and used as fertilizer. Capable plants can also recycle food waste into renewable energy. (Check the plant in your area.)

For U.S. www.insinkerator.com/green For Canada www.insinkerator.ca

FRANÇAIS

INSTRUCTIONS RELATIVES AUX RISQUES D'INCENDIE, DE CHOC ÉLECTRIQUE OU DE BLESSURES

CONSIGNES DE SÉCURITÉ IMPORTANTES

AVERTISSEMENT
Blessures: Ne pas placer la tête ou le corps sous le broyeur de déchets; l'unité pourrait tomber pendant le retrait ou l'installation.

DIRECTIVES DE MISE À LA TERRE
Pour tous les broyeurs mis à la terre et raccordés à la terre d'un système de câblage permanent: Le broyeur doit être mis à la terre pour réduire le risque de choc électrique en cas de défaillance ou de panne. La mise à la terre fournit un espace de moindre résistance au courant électrique.

INSTRUCTIONS POUR LES BROyeurs À TERRE ET RACCORDES À LA TERRE D'UN SYSTÈME DE CÂBLAGE PERMANENT:
Le broyeur doit être connecté à une installation électrique métallique permanente mise à la terre ou un conducteur principal sans interruption de circuit et raccordé à la borne de mise à la terre d'équipement ou au fil de connexion se trouvant sur le broyeur.

INSTRUCTIONS POUR LES BROyeurs À TERRE ET RACCORDES À LA TERRE D'UN SYSTÈME DE CÂBLAGE PERMANENT:
Le broyeur doit être connecté à une installation électrique métallique permanente mise à la terre ou un conducteur principal sans interruption de circuit et raccordé à la borne de mise à la terre d'équipement ou au fil de connexion se trouvant sur le broyeur.

9 YEAR IN-HOME FULL SERVICE WARRANTY
This warranty is provided by InsinkErator®, a division of Emerson Electric Co., ("InsinkErator" or "Manufacturer" or "we" or "our" or "us") to the original consumer owner of the InsinkErator Product. This warranty is provided for a period of 9 years (the "Warranty Period"), commencing on the later of: (a) the date your InsinkErator Product is originally installed, (b) the date of purchase, or (c) the date of manufacture as identified by your InsinkErator Product serial number. You will be required to show written documentation supporting (a) or (b). If you are unable to provide documentation supporting (a) or (b), the Warranty Period commencement date will be determined by Manufacturer, in its sole and absolute discretion, based upon your InsinkErator Product serial number.

InsinkErator warrants to Customer that your InsinkErator Product will be free from defects in materials and workmanship, subject to its sole and absolute discretion, for a period of 9 years (the "Warranty Period"), commencing on the later of: (a) the date your InsinkErator Product is originally installed, (b) the date of purchase, or (c) the date of manufacture as identified by your InsinkErator Product serial number. You will be required to show written documentation supporting (a) or (b). If you are unable to provide documentation supporting (a) or (b), the Warranty Period commencement date will be determined by Manufacturer, in its sole and absolute discretion, based upon your InsinkErator Product serial number.

What is Covered
This warranty covers defects in materials or workmanship, subject to the exclusions below, in InsinkErator Products used by a consumer Customer for residential use only, and includes all replacement parts and labor costs. YOUR SOLE AND EXCLUSIVE REMEDY UNDER THIS LIMITED WARRANTY SHALL BE LIMITED TO REPAIR OR REPLACEMENT OF THE INSINKERATOR PRODUCT.

What is Not Covered
This limited warranty does not extend to and expressly excludes:
• Losses or damages or the inability to operate your InsinkErator Product resulting from conditions beyond the Manufacturer's control including, without limitation, accident, alteration, misuse, abuse, neglect, negligence, or the Manufacturer's failure to install, maintain, assemble, or mount the InsinkErator Product in accordance with Manufacturer's instructions or local electrical code.
• Wear and tear expected to occur during the normal course of use, including without limitation, cosmetic rust, scratches, dents or comparable reasons that do not constitute property or equipment damage.
• In addition to the above exclusions, this warranty does not apply to InsinkErator Products installed in a commercial or industrial application.

No Other Express Warranty Applies
If your InsinkErator Product does not have warranty provided to the Customer identified above. No other express warranty, written or verbal, applies. No employee, agent, dealer, or other person is authorized to alter this limited warranty or make any other warranty on behalf of Manufacturer. The terms of this warranty shall not be modified by the Manufacturer, the original owner, or their respective successors or assigns.

What We Will do to Correct Problems
If your InsinkErator Product does not operate in accordance with the documentation provided to you, or you have questions concerning your InsinkErator Product or how to determine when service is needed, please call the toll free InsinkErator AnswerLine® at 1 (800) 558-5700, or visit our website at www.insinkerator.com. You may also notify us at:

Food waste disposers provide an environmentally responsible alternative to transporting food waste to a landfill. They can help reduce greenhouse gas emissions from wastewater treatment plants. Food waste can be converted to bioblasts and used as fertilizer. Capable plants can also recycle food waste into renewable energy. (Check the plant in your area.)

For U.S. www.insinkerator.com/green For Canada www.insinkerator.ca

INSTRUCTIONS D'ENTRETIEN PAR L'UTILISATEUR

NETTOYAGE DU BROUYEUR

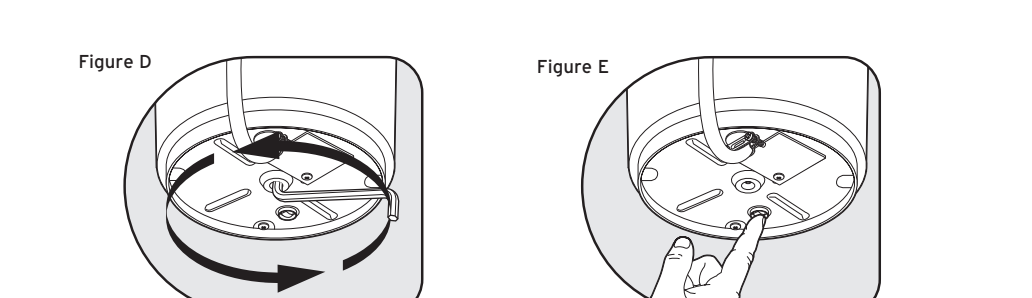
À la longue, des particules d'aliments peuvent s'accumuler dans la cuve de broyage et sur le déflecteur. Une odeur émanant du broyeur signifie habituellement une accumulation d'aliments. Pour nettoyer le broyeur:

- Poser le bouchon sur l'ouverture de l'évier et remplir ce dernier à moitié avec de l'eau chaude.
- Verser 60 ml de bicarbonate de soude dans l'eau. Mettre le broyeur en marche pour éliminer les particules libres.
- Le bouchon pourra être nettoyé à la main ou au lave-vaisselle.

REMARQUE: Les aimants dans le bouchon peuvent attirer des copeaux des tampons en laine d'acier; utiliser du ruban pour les enlever.

DÉBLOCAGE DU BROUYEUR
Si le moteur s'arrête pendant que le broyeur fonctionne, il est possible que celui-ci soit bloqué. Pour débloquer le broyeur:

- Arrêter le broyeur et cesser de faire couler l'eau.
- Insérer une extrémité de la clé libre-service Jam-Buster™ dans le trou central au fond du broyeur (voir la Figure D).
- Déplacer la clé Jam-Buster™ de l'avant vers l'arrière jusqu'à ce qu'elle tourne un tour complet. Retirer la clé Jam-Buster™.
- Appuyer d'un pincement original sur le bouton de déblocage du broyeur. Le bouton de déblocage peut être remplacé par un bouton de déblocage approprié sur le bouton de réenclenchement, à la base du broyeur (voir la Figure E). Si le moteur ne fonctionne toujours pas, vérifier le panneau de service pour déterminer si des coupe-circuits se sont déclenchés ou si des fusibles ont sauté.)



GARANTIE DE SERVICE COMPLET À DOMICILE DE 9 ANS
Cette garantie est fournie par InsinkErator®, une division d'Emerson Electric Co., (« InsinkErator », « Fabricant », « nous » ou « notre ») au consommateur original propriétaire d'un produit InsinkErator® avec lequel cette garantie est fournie (le « Produit InsinkErator ») et tout propriétaire subséquent de la résidence où le produit InsinkErator® a été installé (le « Client », « vous » ou « votre »).

InsinkErator garantit au Client que le Produit InsinkErator sera exempt de défauts premiers et de main d'œuvre, sous réserve des exclusions décrites ci-dessous, pendant une période de 9 ans (la « Période de garantie »), à compter de la date la plus récente entre: (a) la date d'installation originale du Produit InsinkErator, (b) la date d'achat du produit de fabrication identifiée par le numéro de série du Produit InsinkErator. Vous devez présenter une documentation écrite prouvant (a) ou (b). Si vous ne pouvez pas fournir un document prouvant (a) ou (b), la date de début de la Période de garantie sera déterminée par le Fabricant, à son entière discrétion, selon le numéro de série du Produit InsinkErator.

CE QUI EST COUVERT
Cette garantie couvre les défauts de matériaux premiers ou de main d'œuvre, sous réserve des exclusions ci-dessous, dans les Produits InsinkErator utilisés par un Client consommateur en vertu d'un usage résidentiel usuel et comprend toutes les pièces de rechange et les frais de main d'œuvre. VOTRE SEUL ET EXCLUSIF RECOURS EN VERTU DE CETTE GARANTIE LIMITÉE SE LIMITE À LA RÉPARATION OU AU REMPLACEMENT DU PRODUIT INSINKERATOR.

CE QUI N'EST PAS COUVERT
Cette garantie limitée ne couvre pas et exclut expressément:
• Les pertes ou les dommages ou l'incapacité à utiliser votre Produit InsinkErator en raison de conditions indépendantes de la volonté du Fabricant, y compris sans en exclure d'autres, les accidents, les altérations, les mauvaises utilisations, les abus, la négligence (autre que celle du Fabricant), le défaut d'installation, de maintenance, d'assemblage ou de montage du Produit InsinkErator conformément aux directives du Fabricant ou aux codes locaux de plomberie ou d'électricité.
• L'usage prévu se produire durant le cours normal de l'utilisation, y compris sans en exclure d'autres, la rouille cosmétique, les dommages ou les blessures causés par les produits chimiques et les nettoyants ménagers, liquides automobiles, peinture plastique.
• RISQUES D'INCENDIE: Ne pas ranger des articles inflammables tels que des chiffons, du papier ou des aérosols à proximité du broyeur. Ne pas ranger ni utiliser de l'essence ou autres vapeurs et liquides inflammables à proximité du broyeur.
• RISQUES DE FUITE: Inspecter régulièrement le broyeur de déchets alimentaires et les raccords de plomberie pour détecter les fuites qui pourraient entraîner des dommages matériels, lesquels pourraient causer des blessures.

ACCORDS COMMERCIAUX
Aucune autre garantie n'exprime ne s'applique. Cette garantie est la seule et unique garantie fournie au Client identifié ci-dessus. Aucune autre garantie écrite ou verbale n'est autorisée à modifier cette garantie limitée ou à effectuer toute autre garantie au nom du Fabricant. Les conditions de cette garantie ne sont pas modifiables par le propriétaire original ou leurs successeurs ou ayants droit respectifs.

CE QUE NOUS FERONS POUR CORRIGER LES PROBLÈMES
Si votre Produit InsinkErator ne fonctionne pas conformément à la documentation qui vous est fournie ou si vous avez des questions concernant votre Produit InsinkErator ou pour déterminer s'il est nécessaire de le réparer, veuillez appeler sans frais le service AnswerLine® d'InsinkErator au 1 (800) 558-5700 ou visitez notre site Web à www.insinkerator.com. Vous pouvez aussi nous écrire à l'adresse: InsinkErator, une unité commerciale d'Emerson Electric Co., 4700 21st Street, Racine, Wisconsin 53406, É.-U.

Certains provinces ne permettent pas l'exécution ou la limite des dommages indirects ou consécutifs, par conséquent, la limite ci-dessus peut ne pas s'appliquer à votre cas. Cette garantie vous doit être réparé, veuillez appeler sans frais le service d'assistance AnswerLine® d'InsinkErator au 1 (800) 558-5700 ou visitez notre site Web à www.insinkerator.com. Vous pouvez aussi nous écrire à l'adresse: InsinkErator, une unité commerciale d'Emerson Electric Co., 4700 21st Street, Racine, Wisconsin 53406, É.-U.

InsinkErator® se réserve le droit, à son entière discrétion, d'apporter en tout temps des améliorations ou des modifications aux spécifications sans préavis ou obligation de sa part, ou de modifier ou de supprimer des modèles. La configuration du collier de montage est une marque de commerce de Emerson Electric Co.

