



Model: HS-65 Item #: _____ Date: _____
 Project: _____ Qty: _____ Approved By: _____

12"W Hand Sink with 4" Center Electronic Faucet & Side Splashes

Hand Sinks



Model	Description
HS-65	12"W Hand Sink with 4" Electronic Faucet and Right and Left Side Splashes

Hand Sink Specifications

Overall Size	▪ 12"W x 14-1/4"D x 13"H
Bowl	▪ 9"W x 9"D x 5" deep drawn bowl with stamped rim to prevent spillage
Faucet	▪ 4" center wall mount electronic sensor faucet (16-670)
Drain	▪ 1-1/2" stainless steel drain
Side Splashes	▪ Right and Left, 7-3/4"H
Plumbing	▪ 1/2" IPS hot and cold water ▪ 1-1/2" IPS drain outlet ▪ Install at 36" working height ▪ 1/2" faucet supply 12" from floor ▪ 1-1/2" drain line 23-1/4" from floor
Fabrication	▪ 20 gauge stainless steel
Wall Mount Bracket	▪ Offset design for added strength
Weight	▪ 17 lbs.

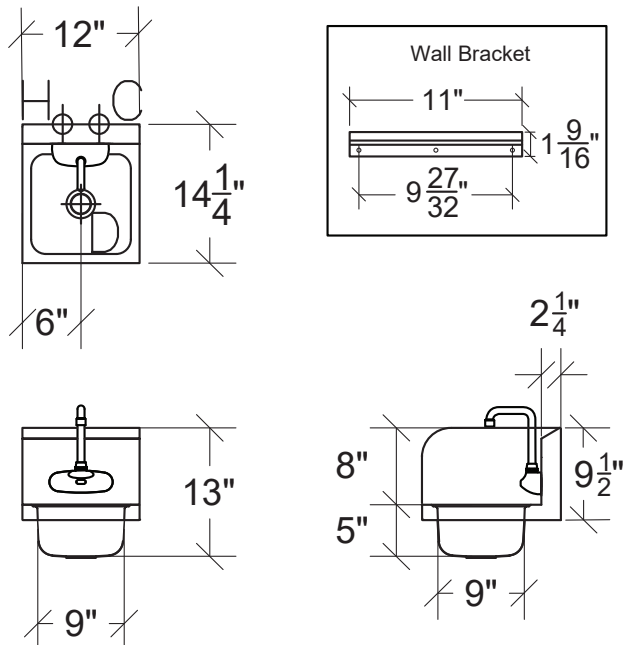
Product Compliance

- NSF/ANSI/CAN 61: Q<1
- ASME A112.8.1-2012/CSA B125.1-12
- NSF/ANSI 372
- ASME A112.19.3/CSA B45.4
- NSF 2



Faucet Specifications

Model	16-670
Water Inlet	3/8" Male NPS
Temp. Range	40° - 180°F
Sensor Type	20-120 PSI
Flow Rate	1.0 GPM
Default Time Out	30 seconds
Default GPC	1.10
Default Shut-Off Delay	1 second
Default Auto Flush	Off
Sensor Range	3/4" - 8-1/4"
Power Source	(4) AA batteries included
Battery Life	500,000 cycles
Material	Solid Brass
Finish	Ultra-polish Satin



Faucet includes Control Module, Mechanical Mixing Valve, & Supply Hoses. AC Adapter is optional (16-199).

⚠ Warning: This product can expose you to chemicals including lead and lead compounds which are known to the State of California to cause cancer and birth defects or other reproductive harm. For more information go to www.P65Warnings.ca.gov.