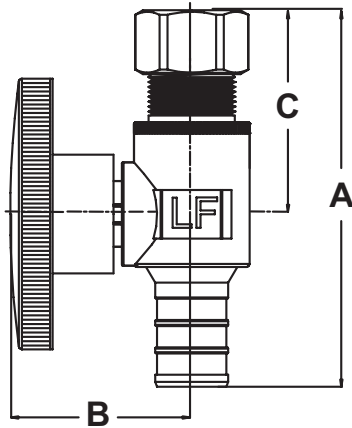




WATER SUPPLY QUARTER TURN BRASS BALL VALVE, PEX X COMPRESSION STRAIGHT STYLE
PLUMBING PRODUCT SPECIFICATION



Handle style

INSTALLATION MEASUREMENTS					
PART NO.	INLET	OUTLET	A	B	C
2883PCLF	1/2 Nom PEX	3/8 OD Comp	2 5/16	1	1 3/16

PART # SUFFIX DESIGNATIONS

PC - Polished finish

LF - Lead free

DESCRIPTION

Water supply stop valve with quarter turn brass ball. Used for faucet, water cooler, refrigerator, dishwasher, and instantaneous hot water dispenser. Constructed of high copper content brass body, brass stem, crack resistant brass nuts, brass ferrule, handle or loose key for public access fixtures.

INCLUDES:

- Heavy duty chromium finish
- Hi-tech teflon seats prevent seizing
- Double "O" ring seal on stem connection with brass ball valve
- Factory testing to ensure leak free performance

INDUSTRY APPROVALS

- UPC/IAPMO
- ANSI/NSF 61 Lead Free
- Mass Code

Listing of parts approved for specific codes available. See Keeney contact information below.

SPECIFIER APPROVAL

Job Name	Date
Model	Qty
Wholesaler	
Contractor	
Architect	

FOR MORE INFORMATION CALL 1-800-243-0526
OR E-MAIL NCS@UPT.COM

THE KEENEY MANUFACTURING COMPANY

www.keeneymfg.com

Keeney Representative
Stamp or Label Here