

*For Residential and Commercial Applications*

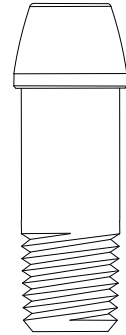
Job Name		Engineer / Architect	
Job Location		Wholesaler	
Submittal Date		Contractor	

## 56825 Series Straight Faucet Tailpiece – Male Iron Pipe x Nosepiece

**Use:** Used to make faucet connection in rigid potable water systems

**Operating Specifications:**

**Temperature:** 40° to 180° F  
**Working Pressure:** 125 PSI maximum

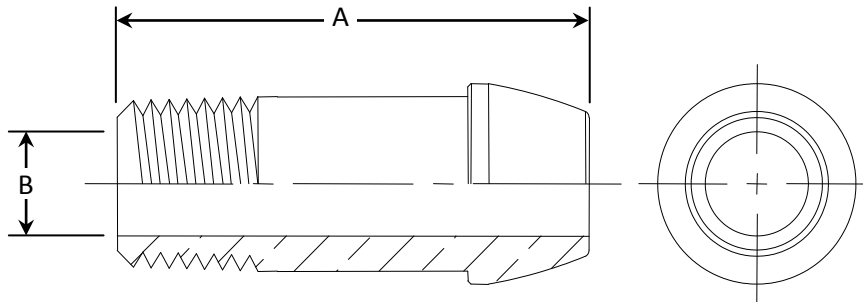


<b>MATERIAL SPECIFICATIONS</b>	
<b>Fitting Body</b>	C36000

<b>PART DIMENSIONS (Inches)</b>		
Model	DIM. A	DIA. B
56825	1.50	.31

**Part Listing:**

- 56825 C 1/4" M.I.P. x 1-1/2", chrome plated
- 56825 R 1/4" M.I.P. x 1-1/2", rough finish



*This specification and all information contained herein is the confidential and exclusive property of BrassCraft Manufacturing, and shall not be disclosed to others without the written consent of BrassCraft. This specification must be returned to BrassCraft if requested.*

**BrassCraft®**