



# SET-RITE® TOILET FLANGE EXTENSION KIT(S)

Job Name _____	Item # _____
Location _____	
Engineer _____	Contractor _____
PO # _____	Tag _____
Representative _____	

## SPECIFICATIONS

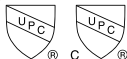
Oatey Set-Rite® products are designed for correcting elevations from 1/8" up to 2-1/4" on existing PVC, ABS, Metal or Stainless Steel flange rings, as well as Cast Iron Flanges. The Set-Rite® Toilet Flange Extension Kit is the only patented, UPC listed, and trusted solution acceptable for repair and renovation applications to restore the sealing surface of the flange.

## MATERIALS

Virgin PPE  
Durofoam  
Stainless Steel - 410 Series

## COMPLIANCE LISTING

IAPMO Listing File #5253  
Markings: UPC, cUPC



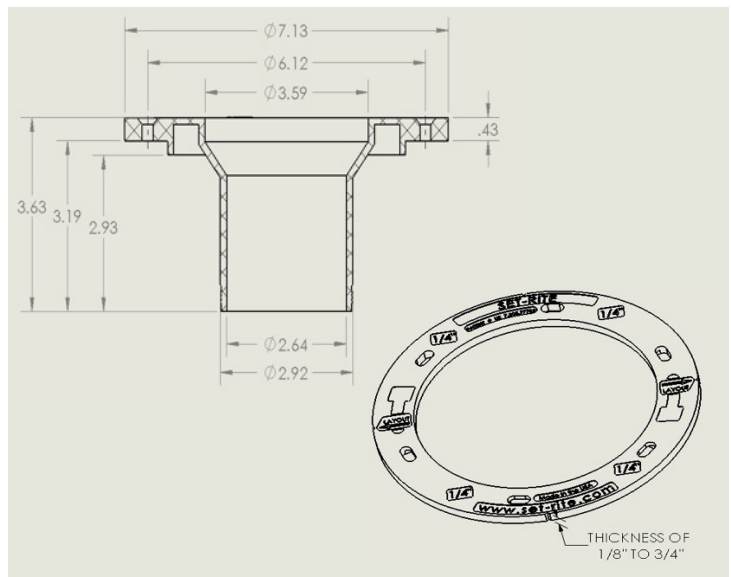
## COMMON APPLICATIONS

Bathroom renovations often include new flooring that can create problems when setting the toilet back on the existing closet flange. It is critical that the sealing surface of an existing flange is above finished floor height to ensure a proper seal. It can be costly to rework existing plumbing to restore the sealing surface, so a flange extension product like Set-Rite® can correct the issue in minutes.



## PRODUCT SELECTOR

✓	Product Number	Description	Carton Qty	Carton Weight
	43400	Toilet Flange Extension Kit 1/8" up to 2-1/4"	5	1.200 LB
	43401	Toilet Flange Extension Kit 1/8" up to 1-1/2" (Includes 3 spacers)	5	0.140 LB
	43402	Toilet Flange Extension Kit 1/8" up to 1-1/2" (Includes 2 spacers)	5	0.140 LB
	43403	Toilet Flange Extension Kit 1/8" up to 1-1/4"	5	0.840 LB
	43404	Toilet Flange Extension Kit 1/8" up to 1"	5	0.800 LB
	43405	Toilet Flange Extension Only 5/8"	6	0.800 LB
	43406	Toilet Flange Spacer Kit 1/8", 1/4", 1/2", 3/4"	12	0.900 LB
	43410	Toilet Flange Spacer Kit 3/4"	12	0.900 LB
	43411	Toilet Flange Spacer Kit 1/2"	18	0.400 LB
	43412	Toilet Flange Spacer Kit 1/4"	36	0.400 LB
	43413	Toilet Flange Spacer Kit 1/8"	72	0.050 LB
	43440C	Toilet Flange Extension Kit 1/8" up to 2-1/4"	5	1.200 LB
	43446C	Toilet Flange Spacer Kit 1/8", 1/4", 1/2", 3/4"	12	0.900 LB



## DIRECTIONS FOR USE - 43400

1. Place foam gasket on the existing flange surface. Existing flange must be without defects and properly secured to the subfloor.
2. Next, determine spacer size, or combination of spacers required to correct the flange height — spacers are offered in 1/8", 1/4", 1/2" and 3/4". Place said spacer(s) directly onto foam gasket.
3. Take the yellow flange extender and push down to seal within foam gasket opening. Push down until properly seated on top of red spacer(s).
4. Ensure Johni-Bolt slots are aligned for proper toilet bowl installation. Use 6 self-tapping stainless steel screws to fasten extender, spacer(s), and gasket to subfloor with use of power drill driver.
5. Install Johni-Bolts in slots (sold separately) and place standard wax bowl ring (sold separately) onto yellow flange extender, which becomes new sealing surface for toilet bowl installation.