

NOTE: For optimum performance of this product, we recommend a system pressure between 20 and 80 PSI static. This product will operate up to a maximum of 125 PSI static per ANSI and CSA requirements. However, we do not recommend pressure above 80 PSI. Thermal expansion or leaking pressure reducing valves may require use of expansion tanks or relief valves to ensure your system never exceeds its maximum intended pressure setting.

ELECTRONIC PUSH BUTTON SHOWER

204838

204838

204838

204838

204838

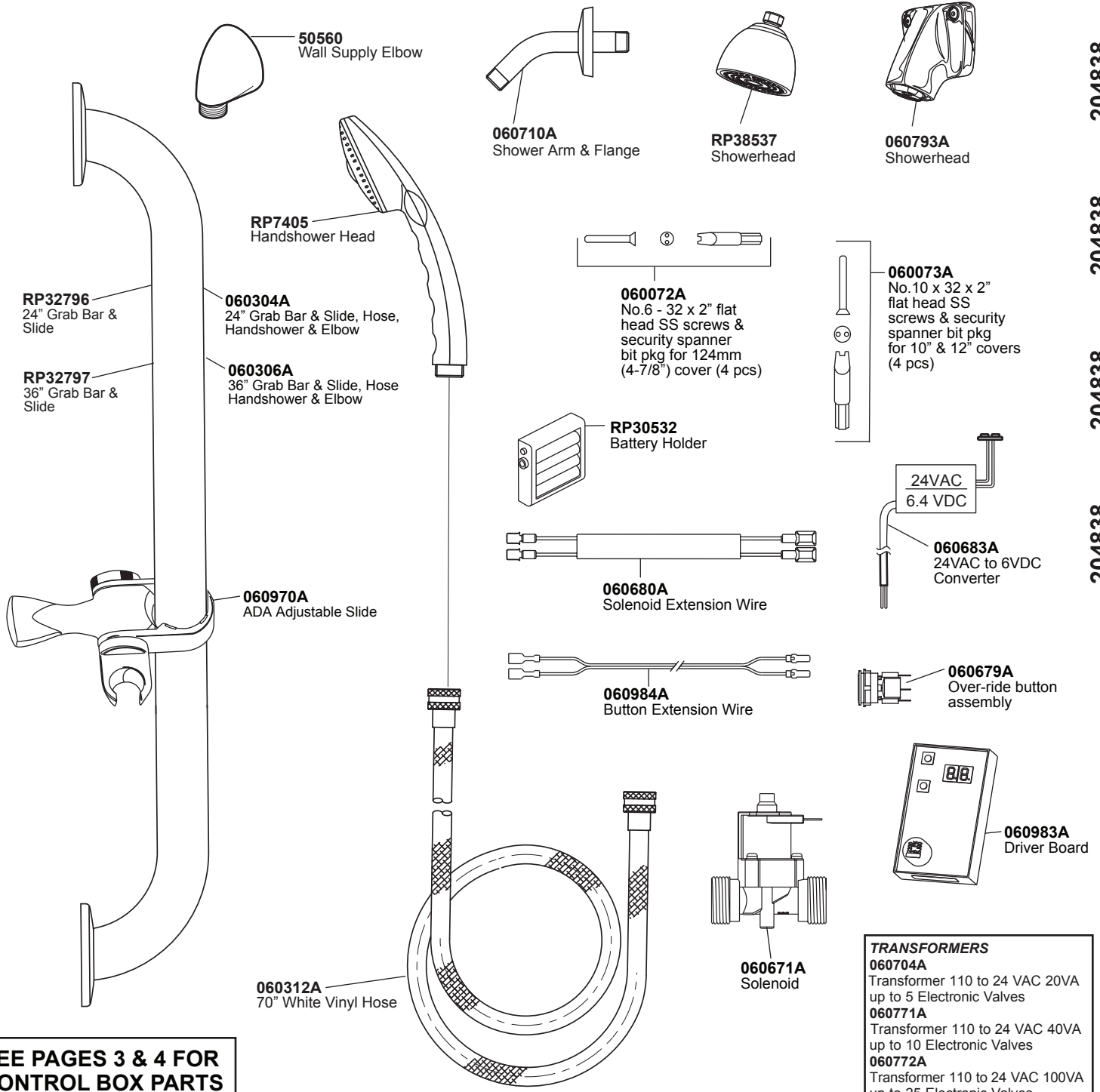
204838

204838

204838

204838

204838



SEE PAGES 3 & 4 FOR CONTROL BOX PARTS

TRANSFORMERS
060704A
Transformer 110 to 24 VAC 20VA up to 5 Electronic Valves
060771A
Transformer 110 to 24 VAC 40VA up to 10 Electronic Valves
060772A
Transformer 110 to 24 VAC 100VA up to 25 Electronic Valves

PLEASE LEAVE this M&I Sheet with the owner, maintenance plumber, etc. as items relating to ongoing maintenance suggestions and procedures are included.

**Installation should be in accordance with local plumbing and electrical codes.
FLUSH ALL PIPES THOROUGHLY BEFORE INSTALLATION.**

INSTALLATION INSTRUCTIONS

STEP 1 - ROUGH IN

- Remove suitable knockout(s) in box(es) and insert cable bushing(s). See Fig.1. NOTE: Wires connecting between boxes and from the transformer must be protected from abrasion and being pulled at connections. They also may have to be finished through at a later stage of construction. Depending on the installation, the cable bushings included may be replaced by installer supplied 1/2" conduit.
- Rough in box as per Fig.3. Use Figures 4, 5, 6 and 7 for specific box information.
- For Hardwire Models: Install CSA and/or UL approved Class 2 transformer or equivalent in a convenient location or in a pipe chase. **(DO NOT install the transformer inside the control box.)** The transformer is to be installed in an adjacent accessible space. Cable from the transformer to the control box may be roughed in at this time depending on installation. Use cable which complies with local electrical codes for a 1 amp load. No.18 cable is usually sufficient.

STEP 2 - CONNECT SHOWER

- Connect piping from supply to valves as per applicable Figure 4, 5, 6 or 7 and for shower head (Fig. 2).
- Finish drainage system and walls.

STEP 3 - FLUSH SYSTEM

- Install shower outlet.
- Open screw driver stop(s) to flush installation for 30 seconds. If pressure balancing valve is supplied, use supplied handle to rotate the valve stem midway between its stops before flushing. If thermostatic mixing valve is supplied, move lever to central position before flushing.
- Close stops.

Fig. 2

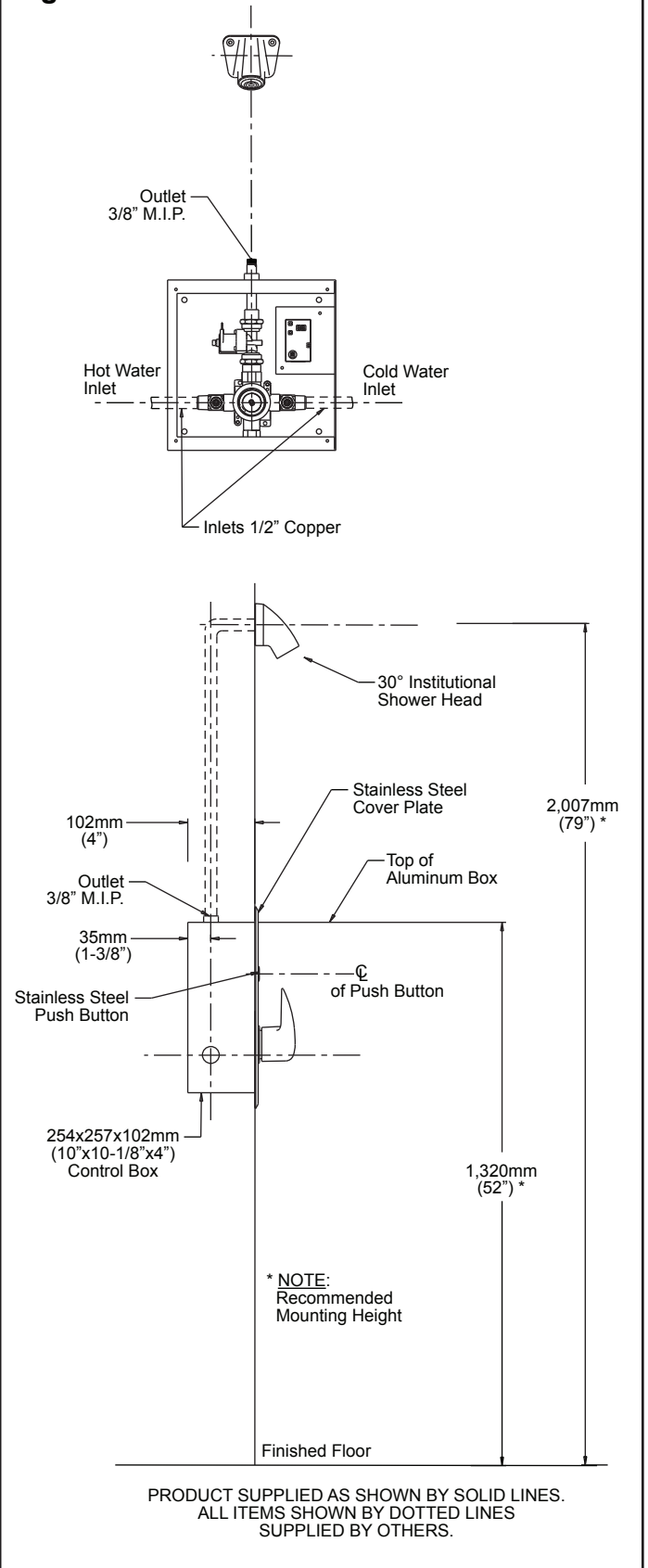
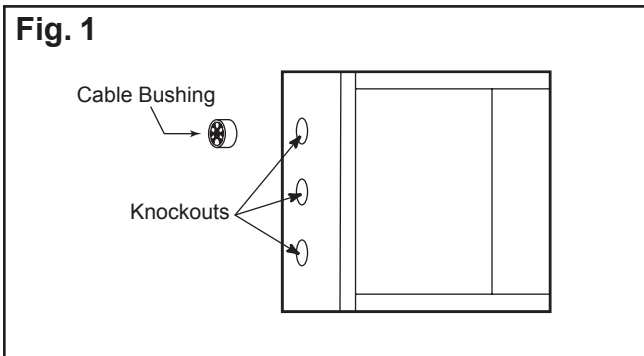


Fig. 1



INSTALLATION INSTRUCTIONS

Fig. 3

Typical Installations

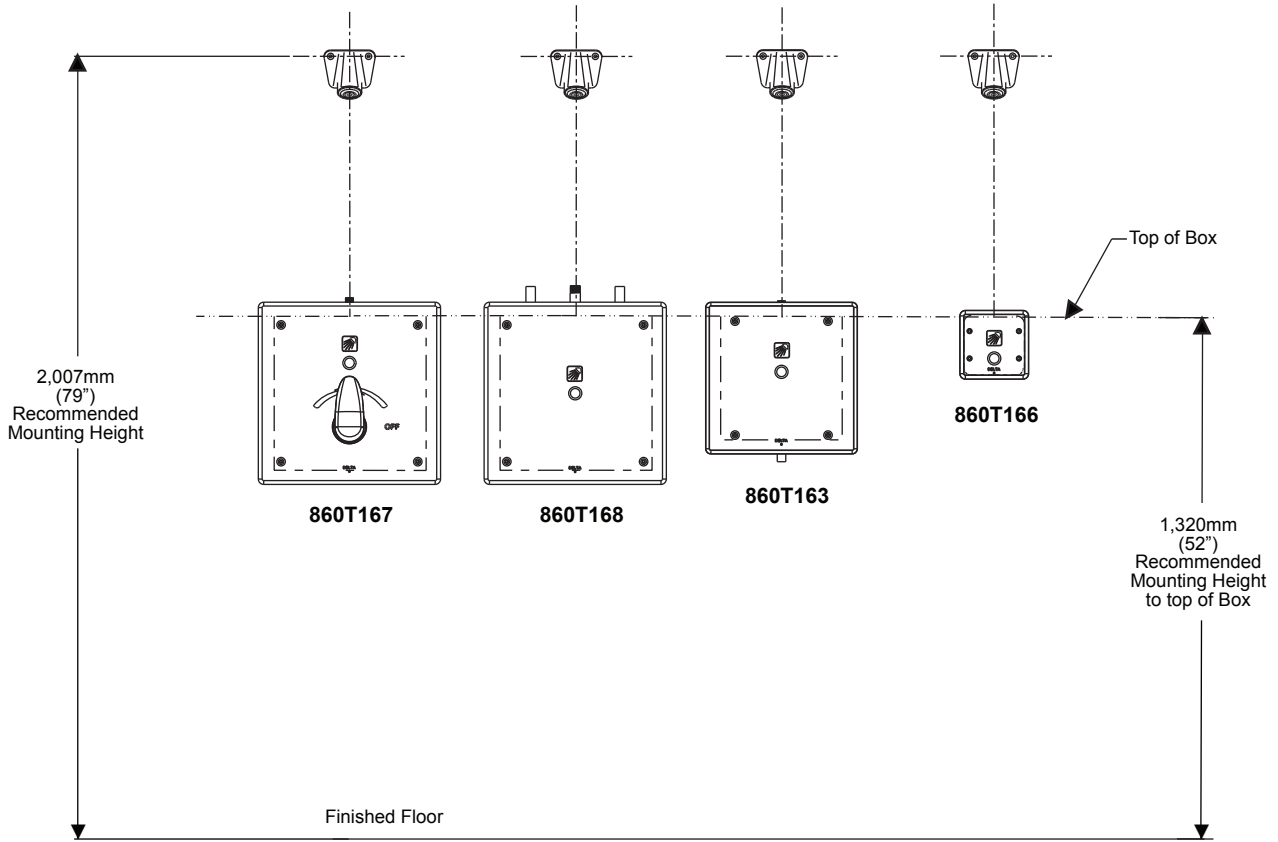


Fig. 4

Control Box #6

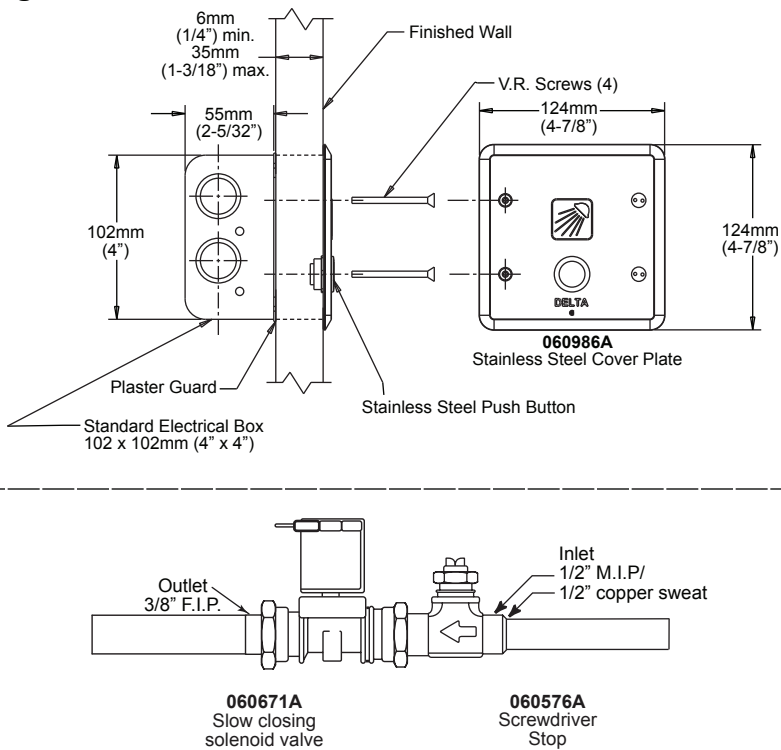
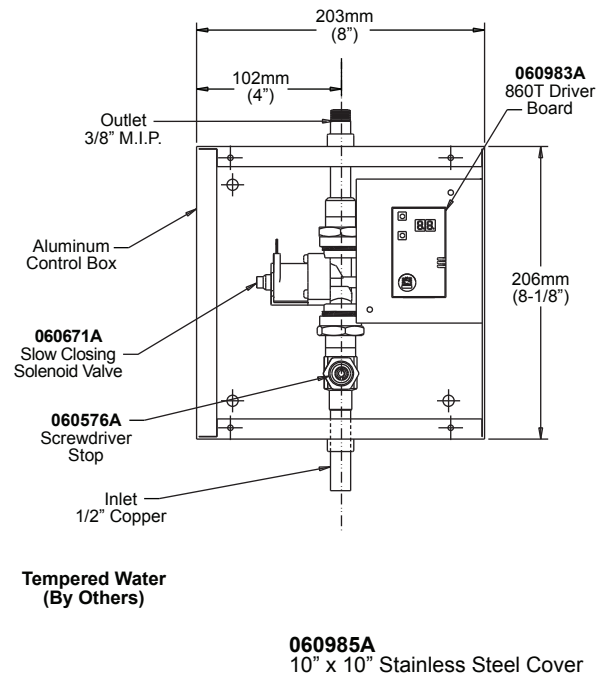


Fig. 5

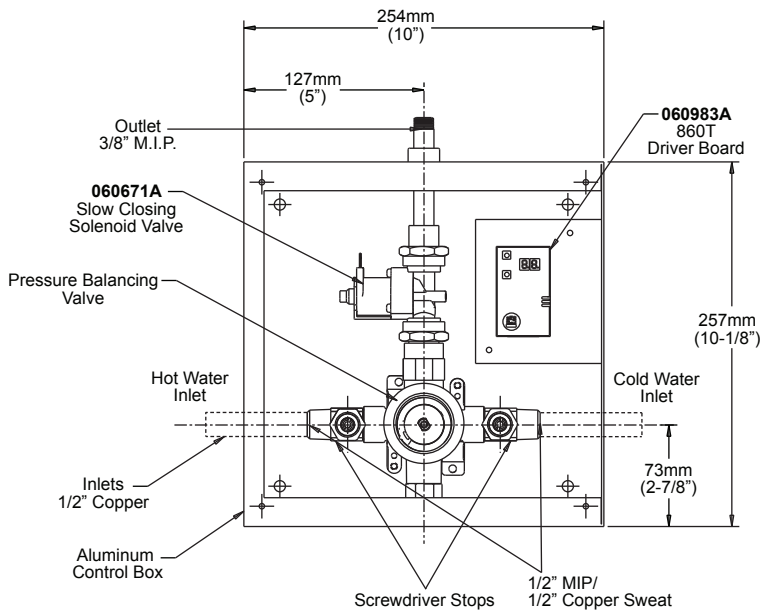
Control Box #3



INSTALLATION INSTRUCTIONS

Fig. 6

Control Box #7

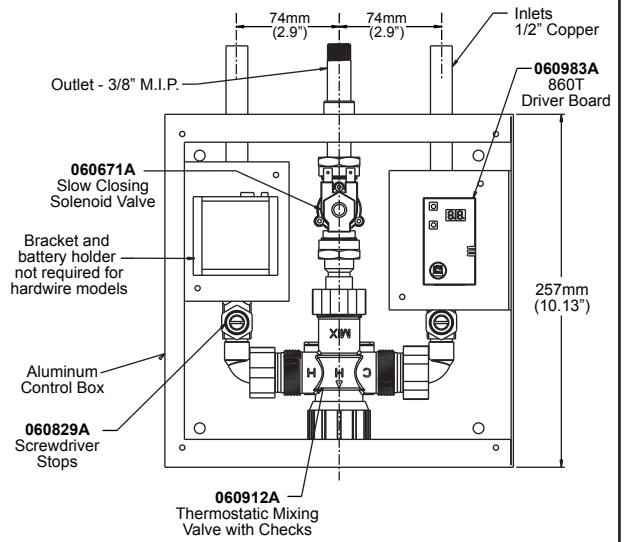


PIPING SHOWN WITH DOTTED LINES SUPPLIED BY OTHERS.

060987A
12" x 12" Stainless Steel Cover

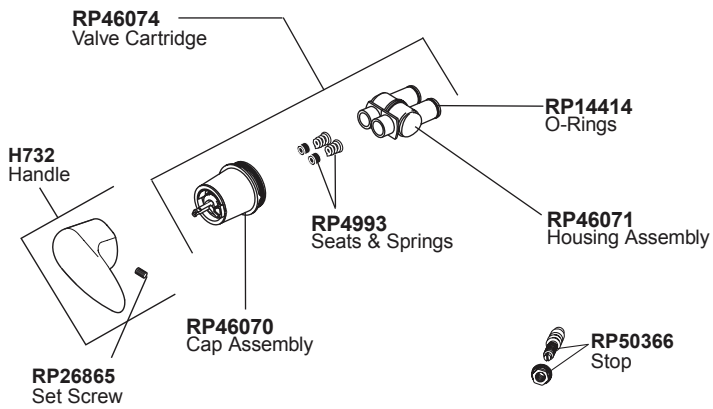
Fig. 7

Control Box #8



060988A
12" x 12" Stainless Steel Cover

Parts for Pressure Balance Mixing Valve



INSTALLATION INSTRUCTIONS

STEP 4 - CONNECT DRIVER BOARD, SOLENOID, POWER SUPPLY AND OVERRIDE BUTTON

- Remove valve spacer and replace with solenoid valve (Fig. 9). Note flow direction marked on the valve body and install in the correct orientation (Fig. 8).
- Attach the black and red solenoid wires on the driver board to the solenoid. Red wire attaches to the terminal marked "+", Black wire to "-".
- For Battery -
 - Install 4 fresh "AA" batteries into the battery pack.
 - Attach the driver board battery clip to the battery pack.
- For Hardwire -
 - Install CSA and/or UL approved class 2 transformer or equivalent in a convenient location in an adjacent accessible space, either above the ceiling or in an access chase.
 - Have transformer connected to the power supply as required by local electrical codes.
 - Run cable from the secondary side of the transformer to the control box, if not already done, and connect to the hardwire converter (060683A).
- Attach the driver board battery clip to the hardwire converter.
- Override Button -
 - Use the supplied button extension wire and connect the male ends to the override button wires (yellow) of the driver board.
 - Connect the female ends of the extension cord to the stainless steel button (Fig. 10).

Fig. 8

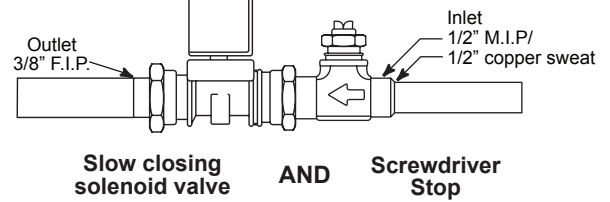
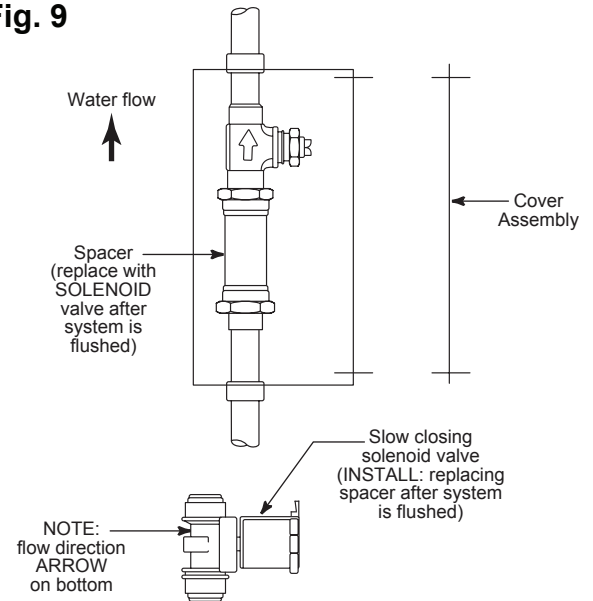


Fig. 9



STEP 5 - TURN ON WATER, ADJUST AND REPLACE COVERS

5.1 Pressure Balanced Valve

- Install cartridge. (Note: for cartridge installation instructions and back to back installations, refer to pages 3 to 6 of the included MultiChoice™ Valve Trim instructions.)
- Open screwdriver stop(s) to supply water to the shower.
- Press the stainless steel button to start the flow of water.
- Adjust to desired water temperature (page 6 of the MultiChoice™ Valve Trim instructions).
- Ensure that the stickers contained within the MultiChoice™ Valve Trim instructions are applied accordingly.
- Advance to step 5.3.

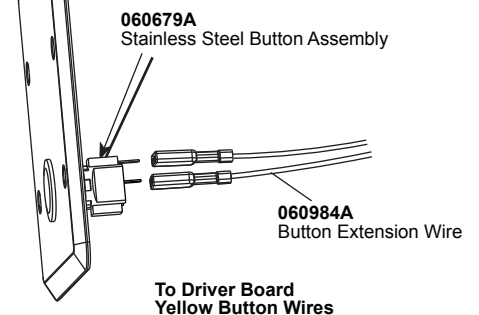
5.2 Thermostatic Mixing Valve

- Open screwdriver stop(s) to supply water to the shower.
- Press the stainless steel button to start the flow of water.
- Place a thermometer in a plastic container and hold in water stream. Record the temperature reading and note the mark or position of the rotational limit stop on the brass stop. The recommended water temperature is 43°C (110°F).
- Advance to step 5.3.

5.3 All Models

- Replace covers using vandal resistant screws and drivers supplied.

Fig. 10



OPERATION

- Shower flows when stainless steel button is activated.
- Shower flow stops upon reactivation of the button, or when the maximum continuous run time expires. Default continuous run time is 3 minutes. Refer to Driver Board Set-Up section for information on how to adjust the maximum continuous run time.
- When the run time expires and the shower turns off, the user may press the override button again to obtain an additional 2 minutes of run time.
- Adjustable maximum run time from 1 minute to 10 minutes - in 30 second increments.
- Battery operated units - the electronics of the shower driver board have been optimized for maximum battery life. On a set of 4 "AA" alkaline batteries, users should expect up to 5 years of battery service. To check the status of the battery life without the need of a multi-meter, do the following:
 1. Ensure nothing is showing on the display screen. If there are numbers being displayed on the screen, simply wait a few seconds until the screen goes blank.
 2. Press and hold down the "UP" button.
 3. The display will then highlight an appropriate amount of bars to signify the strength of the batteries. The number of bars displayed is proportionate to the "health" of the batteries. For example:



3 BARS - batteries are healthy. 3 - 5 years of service life left (depending on shower usage).



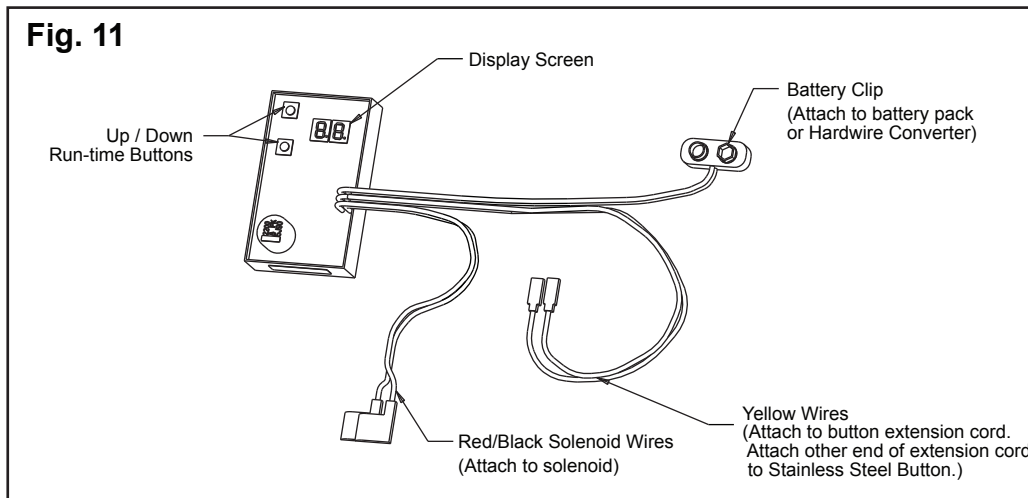
2 BARS - batteries are okay. 1 - 3 years of service life left (depending on shower usage).



1 BAR - batteries will need to be replaced soon. Less than a year of service life left (depending on shower usage).



NO BARS (dot in lower-right corner) - batteries need to be replaced immediately. The solenoid has been locked out and will not fire until batteries have been replenished.



DRIVER BOARD SET-UP

- Press the yellow up and down buttons (Fig. 12) at any time to increment or decrement the maximum run time of the shower. The maximum run time is adjustable from 1 minute to 10 minutes - in 30 second increments.
- Use the display (Fig. 12) to verify that the maximum run time you want has been set.
- A “.5” at the end of a number signifies an additional 30 seconds.
Example : 6.5 = 6 minutes and 30 seconds
- There are also 0.1, 0.2, 0.5 and 0.7 settings which are lower than 1 minute. These settings are not recommended for this shower system.

Display Status	Max. Run Time
10	10 minutes
9.0	9 minutes
8.0	8 minutes
7.0	7 minutes
6.0	6 minutes
5.0	5 minutes
4.0	4 minutes
3.0	3 minutes
2.0	2 minutes
1.0	1 minute
0.7	42 seconds *
0.5	30 seconds *
0.2	12 seconds *
0.1	6 seconds *

* not recommended for shower system

CARE INSTRUCTIONS

This Delta Commercial product is designed and engineered in accordance with the highest quality and performance standards. With proper care, it will give years of trouble free service. Care should be given to the cleaning of this product. Although the chrome finish is extremely durable, it can be DAMAGED by ACIDIC CLEANERS (i.e., cleaners designed specifically for vitreous china lavatories and water closets), HARSH ABRASIVES or POLISH. To clean, simply wipe the surface with a damp cloth and blot dry with a soft cloth.

TROUBLE SHOOTING GUIDE

If shower does not come on when button is activated:

1. Verify that the water is on, screwdriver stop(s) are open and the temperature control valve is open.
2. Check to see that the plugs for the stainless steel button and solenoid valve are pushed in properly. Also ensure no bare wires are touching one another, possibly shorting out the button.
3. Verify that the battery clip is hooked up to a 6 volt DC supply - either the battery pack or the hardwire converter. If battery pack is below 4 volts DC, then replace with 4 new “AA” alkaline batteries. To check the status of the batteries without the need of a multi-meter, refer to page 6.
4. Remove solenoid and filter screen from solenoid valve and check for dirt deposits.

If water flows continuously:

1. Maximum run time may be set too high. Refer to “**Driver Board Set-Up**” on how to lower the maximum run time of the shower.
Note: The shower will run continuously until the maximum run time has expired, OR until a user presses the stainless steel button.
2. Ensure that the solenoid wires are hooked up correctly. Red wire to “+” marking solenoid, black wire to “-”.

APPROVALS

- ASME A112.18.1 / CSA B125.1.
- ADA compliance to ICC/ANSI A117.1/ADA.
- IAPMO listed.
- CSA certified.
- Control/Sensor Box Option 7, Pressure Balancing Valve, meets ASSE 1016.
- Control/Sensor Box Option 8, Thermostatic Mixing Valve, CSA certified and meets ASSE 1016 and 1017.

Delta Commercial Faucet Limited Warranty

All parts of the Delta® HDF® and TECK® faucets are warranted to the original consumer purchaser to be free from defects in material, finish and workmanship for a period of five (5) years unless otherwise specifically stated in the catalogue and price book. This warranty is made to the original consumer purchaser and shall be effective from date of purchase as shown on purchaser's receipt.

Delta will, at its option, repair or replace, FREE OF CHARGE, during the warranty period, any part which proves defective in material or workmanship under normal installation, use and water and service conditions. If Delta Faucet concludes that the returned part was manufactured by Delta Faucet and is, in fact, defective, then Delta Faucet will honour the warranty stated herein. Replacement parts can be obtained from your local dealer or distributor listed in the telephone directory or by returning the part along with the purchaser's receipt to our factory, TRANSPORTATION CHARGES PREPAID, at the address listed. THIS WARRANTY IS THE ONLY EXPRESS WARRANTY MADE BY DELTA. ANY CLAIMS MADE UNDER THIS WARRANTY MUST BE MADE DURING THE FIVE YEAR PERIOD REFERRED TO ABOVE. ANY IMPLIED WARRANTIES, INCLUDING THE IMPLIED WARRANTY OF MERCHANTABILITY OF FITNESS FOR A PARTICULAR PURPOSE, ARE LIMITED IN DURATION TO THE DURATION OF THIS WARRANTY. LABOUR CHARGES AND/OR DAMAGE INCURRED IN INSTALLATION, REPAIR OR REPLACEMENT AS WELL AS INCIDENTAL AND CONSEQUENTIAL, SPECIAL, INDIRECT OR PUNITIVE DAMAGES CONNECTED THEREWITH ARE EXCLUDED AND WILL NOT BE PAID BY DELTA FAUCET.

Some states do not allow limitations on how long an implied warranty lasts, or the exclusion or limitation of incidental or consequential damages, so the above limitations or exclusions may not apply to you. This warranty gives you specific legal rights, and you may also have other rights which vary from state to state.

This warranty is for commercial products only from Delta Faucet Company and Delta Faucet Canada (a division of Masco Canada Limited) and is void for any damage to this faucet due to misuse, abuse, neglect, accident, improper installation, any use in violation of instructions furnished by Delta Faucet or any use of replacement parts other than genuine Delta parts.

Garantía Limitada de las Llaves de Agua Comerciales Delta

Todas las piezas de las llaves de agua (grifos) Delta® HDF®, TECK® están garantizadas al comprador consumidor original de estar libres de defectos de material, acabado y fabricación por un periodo de cinco (5) años a menos que sea establecido específicamente de otra manera en el catálogo o libro de precios. Esta garantía se le hace al comprador consumidor original y será efectiva desde la fecha de compra como mostrado en el recibo del comprador.

Delta, a su opción, reparará o reemplazará, GRATUITAMENTE, durante el periodo de garantía, cualquier pieza que pruebe ser defectuosa en material o fabricación bajo instalación, usu, agua y condiciones de servicio normales. Si Delta Faucet concluye que la pieza devuelta fue fabricada por Delta Faucet y es, de hecho, defectuosa, entonces Delta Faucet honrará la garantía establecida en este documento.

Las piezas de repuesto se pueden obtener de su comerciante o distribuidor local listado en el libretto telefónico o devolviendo la pieza junto con el recibo del comprador a nuestra fábrica, CARGOS DE TRANSPORTE PRE-PAGADOS, a la dirección incluida. ESTA GARANTÍA ES LA ÚNICA GARANTÍA EXPRESA HECHA POR DELTA. CUALQUIER RECLAMO HECHO BAJO ESTA GARANTÍA DEBE SER HECHO DURANTE EL PERÍODO DE CINCO AÑOS ARRIBA MENCIONADO. CUALQUIER GARANTÍA IMPLÍCITA, INCLUYENDO LA GARANTÍA IMPLÍCITA DE COMERCIABILIDAD DE EMPLEO PARA UN PROPÓSITO PARTICULAR, TIENE UNA DURACIÓN LIMITADA A LA DURACIÓN DE ESTA GARANTÍA. LOS CARGOS DE LABOR Y/O DAÑO INCURRIDO DURANTE LA INSTALACIÓN, REPARACIÓN O REPUESTO COMO TAMBIÉN DAÑOS INCIDENTALES O RESULTANTES, ESPECIALES, INDIRECTOS O PUNITIVOS RELACIONADOS CON LO MENCIONADO SON EXCLUIDOS Y NO SERÁN PAGADOS POR DELTA FAUCET.

Algunos estados no permiten limitaciones de la duración de una garantía implícita limitada, o la exclusión o limitación de daños incidentales o consecuentes, de manera que las limitaciones o exclusiones arriba mencionadas puedan no aplicarle a usted. Esta garantía le da derechos legales específicos, y usted también puede tener otros derechos que varían de estado a estado.

Esta garantía es solo para productos comerciales de Delta Faucet Company y Delta Faucet Canada, una división de Masco Canada Limitada, y es nula por cualquier daño hecho a esta llave de agua resultante del mal uso, abuso, descuido, accidente, instalación incorrecta, cualquier uso en violación de las instrucciones proporcionadas por Delta Faucet o cualquier uso de piezas de repuesto que no sean de piezas genuinas de Delta.

Garantie Limitée Delta Commercial

Toutes les pièces des robinets de marque Delta® HDF® et TECK® sont garanties contre tout défaut de matière, de finition et de main-d'oeuvre pour une période de cinq (5) ans, sauf indication contraire stipulée dans le catalogue et la liste des prix. Cette garantie est offerte à l'acheteur original et entre en vigueur à compter de la date d'achat indiquée sur la preuve d'achat.

Delta procédera, à son entière discrétion, à la réparation ou au remplacement, SANS FRAIS, durant la période de garantie, de toute pièce qui présente un défaut de matière ou de main-d'oeuvre dans des conditions d'installation, d'usage, d'eau et de service normales. Si Delta Faucet détermine que la pièce retournée a été fabriquée par Delta Faucet et qu'en effet, cette pièce fait défaut, Delta Faucet respectera alors la garantie stipulée aux présentes. Les pièces de rechange peuvent être obtenues chez votre marchand local ou le distributeur inscrit dans votre annuaire téléphonique, ou en retournant la pièce ainsi que la preuve d'achat à notre usine, FRAIS DE TRANSPORT PRÉPAYÉS, à l'adresse indiquée. CETTE GARANTIE EST LA SEULE GARANTIE EXPRESSE FAITE PAR DELTA.

TOUTE RÉCLAMATION FAITE EN VERTU DE CETTE GARANTIE DOIT ÊTRE PRÉSENTÉE DURANT LA PÉRIODE DE CINQ ANS MENTIONÉE CI-DESSUS. TOUTE GARANTIE IMPLICITE, Y COMPRIS LA GARANTIE IMPLICITE DE VALEUR COMMERCIALE RELATIVEMENT À L'APTITUDE À LA FONCTION, EST LIMITÉE EN TERMES DE DURÉE POUR LA DURÉE DE CETTE GARANTIE.

LES FRAIS DE MAIN-D'OEUVRE ET/OU DE DOMMAGES ENCOURUS DURANT L'INSTALLATION, LA RÉPARATION OU LE REMPLACEMENT AINSI QUE LES DOMMAGES-INTÉRÊTS ACCESSOIRES OU IMMATÉRIELS, SPÉCIAUX, INDIRECTS OU PUNITIFS S'Y RAPPORTANT SONT EXCLUS ET NE SERONT PAS PAYÉS PAR DELTA FAUCET.

Certains états ne permettent pas la limitation de la durée de la garantie implicite, ou l'exclusion ou la limitation des dommages-intérêts accessoires ou immatériels, et par conséquent, les limitations ou les exclusions stipulées ci-dessus peuvent ne pas s'appliquer dans votre cas. Cette garantie vous accorde certains droits reconnus par la loi et vous avez peut-être aussi d'autres droits qui varient d'un état à l'autre.

Cette garantie s'applique seulement aux produits commerciaux des sociétés Delta Faucet et Delta Faucet Canada, une filiale de Masco Canada Limited et est nulle de plein droit pour tout dommage causé à ce robinet en raison d'usage excessif, d'abus, de négligence, d'accident, de mauvaise installation, tout usage en contravention des directives fournies par Delta Faucet ou tout usage de pièces de rechange autres que des pièces originales Delta.

Delta Faucet Canada, a division of Masco Canada Limited
Box 5750, 420 Burbrook Place, London, ON, Canada N6A 4L6
1-800-567-3300 (English) 1-800-265-9245 (French)

Delta Faucet Company
Box 40980, 55 East 111th St., Indianapolis, IN, U.S.A. 46280
(317) 848-1812

For further technical assistance, call Delta Commercial Technical Service at 1-800-387-8277.

Para la asistencia técnica adicional, servicio técnico Comercial del Delta de la llamada en 1-800-387-8277.

Pour obtenir de l'assistance technique, appelez le Service Technique de Delta Commercial au 1-800-387-8277.