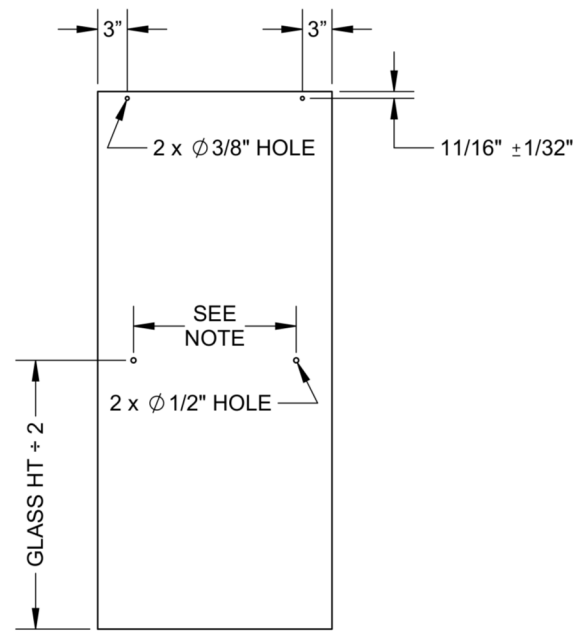
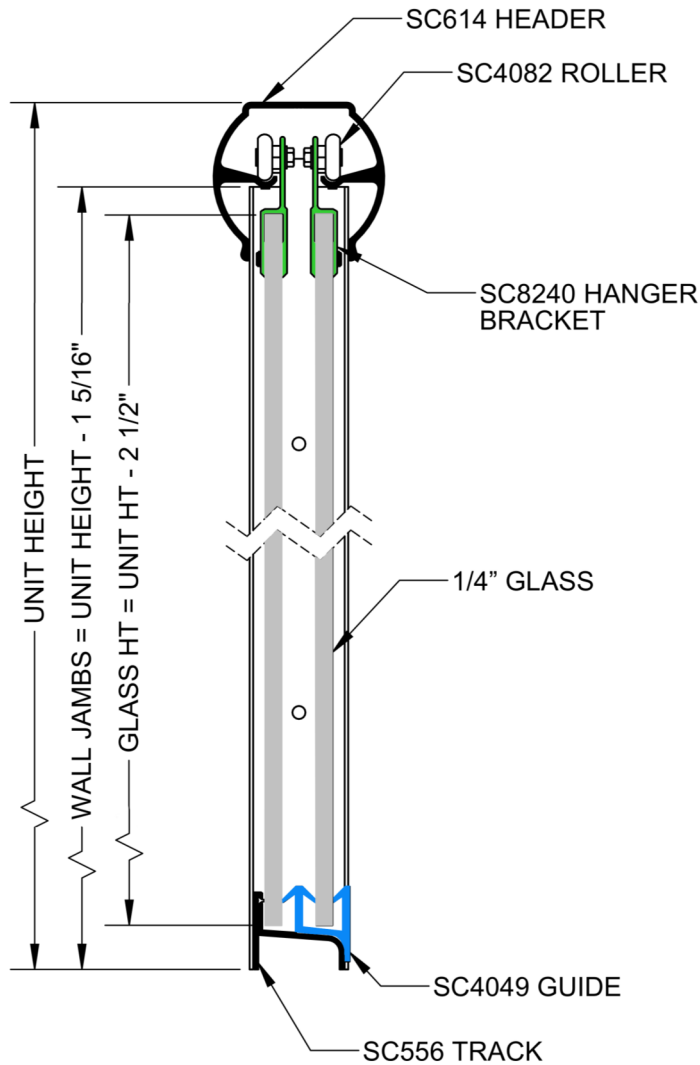


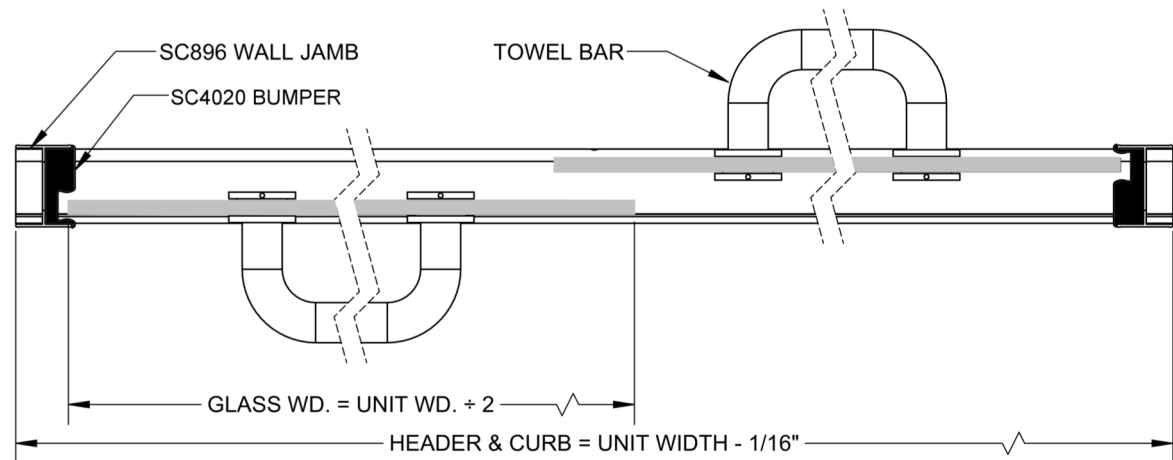
**VERTICAL CROSS SECTION**



**GLASS DETAIL DRAWING**

**NOTES:**

1. Towel bar assemblies are available in 13", 15", 16 1/2", 19", 21", 22", and 24"
2. Towel bar sizes are measured from center to center of the mounting holes
3. Basco will automatically choose the appropriate towel bar on complete units
4. For KD units, leave a minimum of 1.5" between hole centers and edges of glass
5. Anti-jump SC4340.01 included



**HORIZONTAL CROSS SECTION**

NOTE: GLAZING MATERIAL FOR ALL KD UNITS AND GLAZED UNITS MUST CONFORM TO ANSI Z97.1 AND CPSC STANDARD 16 CFC 1201 CATEGORY 1 & 2

4400  
4500

Infinity  
Frameless 1/4" Bypass Slider



1-800-45-BASCO  
7201 Snider Road  
Mason, Ohio 45040