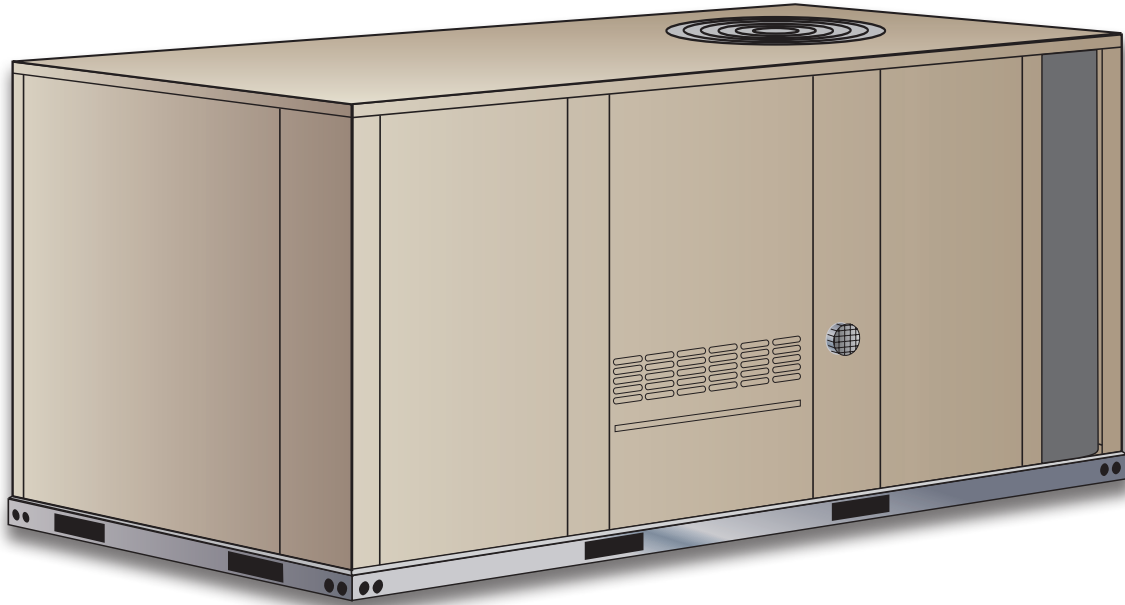


PRODUCT SPECIFICATIONS



**ASHRAE 90.1
COMPLIANT**

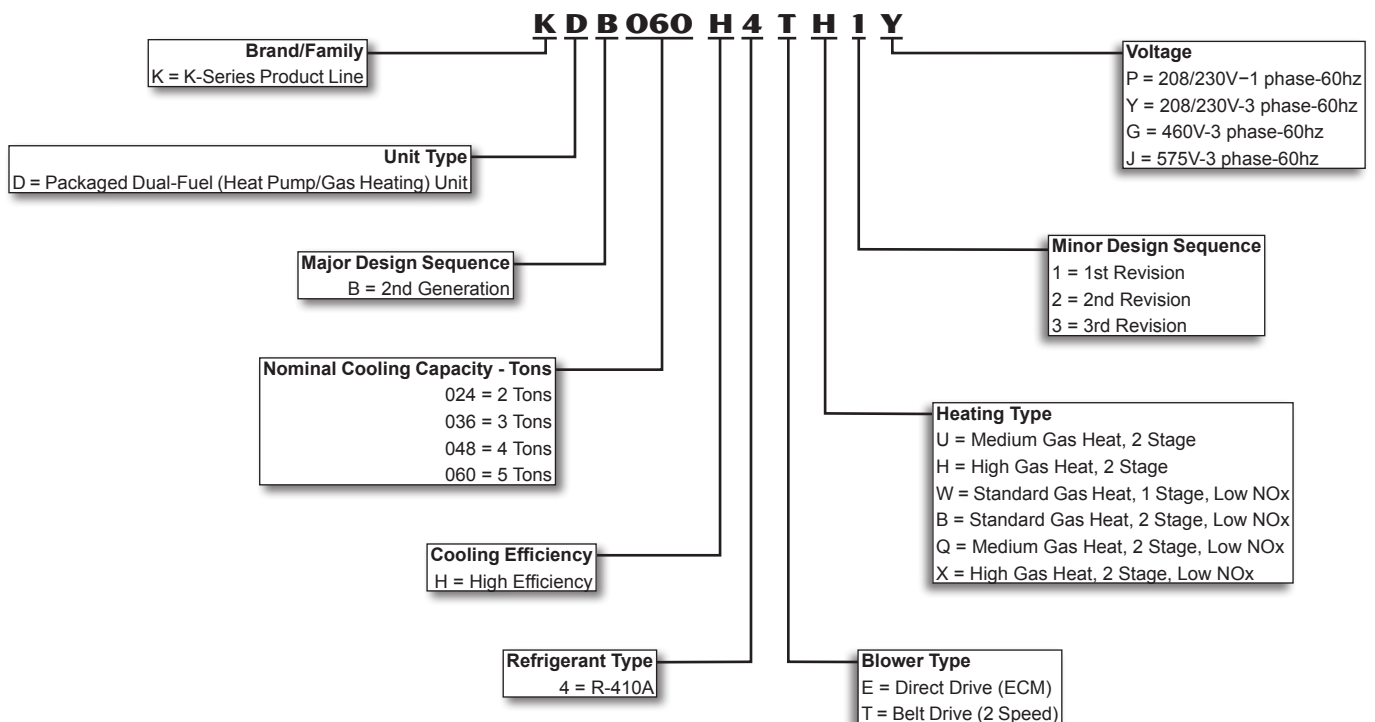
2 to 5 Tons

Net Cooling Capacity – 23,600 to 58,000 Btuh

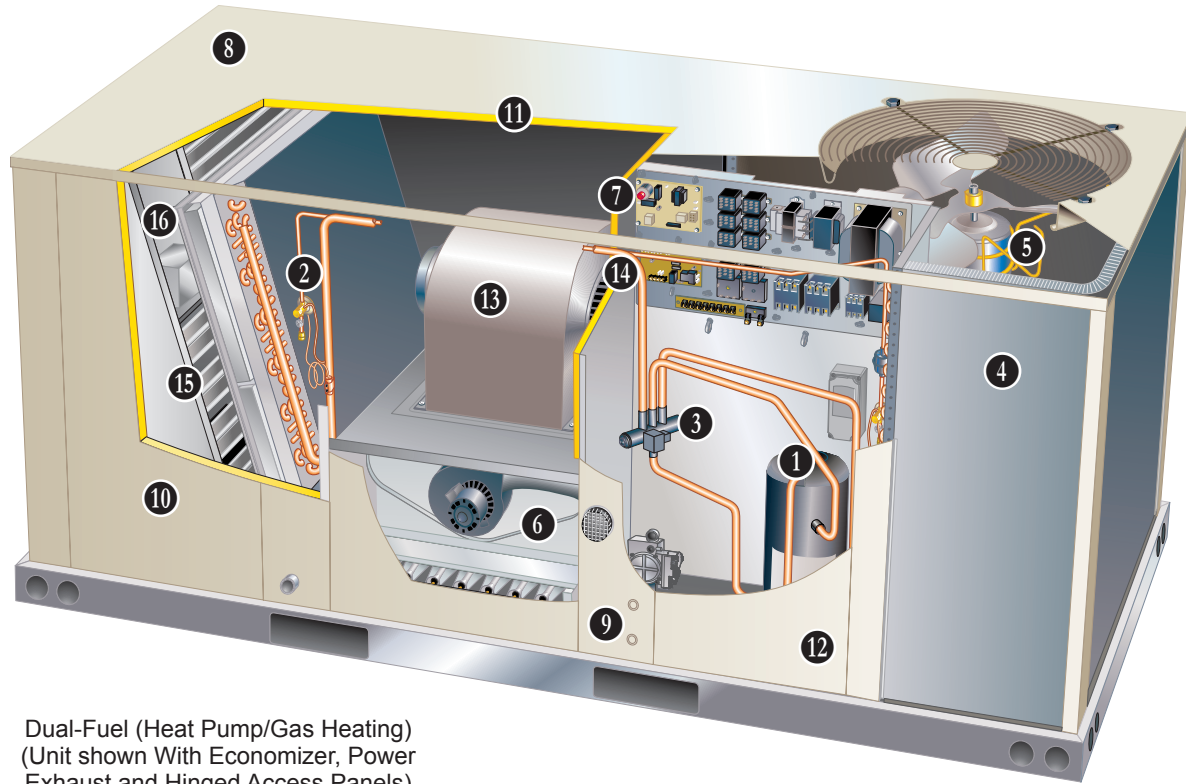
Net Heating Capacity – 24,000 to 59,000 Btuh

Gas Input Heat Capacity – 65,000 to 150,000 Btuh

MODEL NUMBER IDENTIFICATION



FEATURES AND BENEFITS



Dual-Fuel (Heat Pump/Gas Heating)
(Unit shown With Economizer, Power
Exhaust and Hinged Access Panels)

K-Series™ rooftop units from Allied are the new standard for reliable, efficient rooftop units built for long-lasting performance that can significantly improve indoor environments. K-Series™ rooftop units feature:

- **R-410A Refrigerant** - Environmentally friendly.
- **Two-Stage Scroll Compressor** - Furnished on all models. Allows rooftop units to deliver just the necessary amount of cooling needed to meet the space's demand.
- **High Pressure Switches** - Protect compressor.
- **Isolated Compressor Compartment** - Allows performance check during normal compressor operation without disrupting airflow.
- **Direct or Belt Drive Blower Motors** - Direct drive (024, 036, 048 and 060 models). Belt drive (all 036, 048 and 060 models) to maximize air performance.
- **Independent Motor Mounts** - Allows for easy and efficient service access without removing the top panel.
- **Downflow or Horizontal Airflow** - Easy field conversion.
- **Two Fork Lift Slots on Three Sides** - Easy to pick up and transport units from almost any angle.
- **Corrosion-Resistant Removable, Reversible Drain Pan** - Provides application flexibility, durability and improved serviceability.
- **Thermostatic Expansion Valves** - Provide peak cooling performance across the entire application range.
- **Common Components** - Many maintenance items are standard throughout the entire product line, reducing the need to carry different parts to the job or maintain in inventory.

FEATURES AND BENEFITS

CONTENTS

Blower Data - Belt Drive24
Blower Data - Direct Drive - High Efficiency20
Cooling / Heating Ratings.16
Dimensions - Accessories.38
Dimensions - Unit37
Electrical Data.31
Features And Benefits	2
High Altitude Derate15
Model Number Identification	1
Options / Accessories	9
Specifications - Belt Drive Blower.14
Specifications - Direct Drive Blower.13
Specifications - Gas Heat - Three Phase Models.15
Specifications - Low Nox Gas Heat - Single And Three Phase Models.15
Unit Clearances.34
Weight Data.36

APPROVALS

AHRI Certified to AHRI Standard 210/240-2008.

ETL listed.

CSA listed.

Components bonded for grounding to meet safety standards for servicing required by UL, ULC and National and Canadian Electrical Codes.

All models are ASHRAE 90.1 compliant

ISO 9001 Registered Manufacturing Quality System.

WARRANTY

Limited five years on compressors.

Limited fifteen years on stainless steel heat exchanger.

Limited five years Optional High Performance Economizers.

Limited one year all other covered components.

DUAL-FUEL OPERATION

In heating mode the unit operates the heat pump for 1st stage heating. If 1st stage is not satisfied, the 2nd stage will activate gas heating (secondary heat source). Heat pump operation is automatically terminated on gas heat start-up.

Unit control automatically changes between heat pump heating and gas heat operation.

Blower starts up when gas heat exchanger is warm, and runs in high speed during (gas heat) operation.

If continuous blower operation is available on thermostat, change in blower speed automatically occurs during heat pump heat to gas heat changeover.

COOLING/HEATING SYSTEM

Designed to maximize sensible and latent cooling performance at design conditions.

System can operate from 30°F to 125°F without any additional controls.

R-410A Refrigerant

Non-chlorine, ozone friendly, R-410A.

Unit pre-charged with refrigerant. See Specification table.

1 Copeland Scroll Ultra Tech™ Two-Stage Compressor

Two-stage scroll compressors for increased part load efficiency, high performance, reliability and quiet operation.

Resiliently mounted on rubber grommets for quiet operation.

Compressor Crankcase Heater

Protects against refrigerant migration that can occur during low ambient operation.

High Pressure Switch

Protects the compressor from overload conditions such as dirty condenser coils, blocked refrigerant flow, or loss of outdoor fan operation.

2 Check/Thermal Expansion Valves

Assures optimal performance throughout the application range. Removable element head.

3 Reversing Valve

4-way interchange reversing valve effects a rapid change in direction of refrigerant flow resulting in quick changeover from cooling to heating and vice versa.

Filter/Drier

High capacity filter/drier protects the system from dirt and moisture.

Freezestat

Protects the evaporator coil from damaging ice build-up due to conditions such as low/no air flow, or low refrigerant charge.

FEATURES AND BENEFITS

COOLING/HEATING SYSTEM **(continued)**

4 **Coil Construction**

Copper tube construction, enhanced rippled-edge aluminum fins, flared shoulder tubing connections, silver soldered construction for improved heat transfer. Factory leak tested.

Indoor Coil

Cross row circuiting with rifled copper tubing optimizes both sensible and latent cooling capacity.

Condensate Drain Pan

Plastic pan, sloped to meet drainage requirements of ASHRAE 62.1.

Side or bottom drain connections. Reversible to allow connection at back of unit.

5 **Outdoor Coil Fan Motor**

All models have variable speed (ECM) fan motors for energy efficient operation and quiet operation.

Thermal overload protected, totally enclosed, permanently lubricated ball bearings, shaft up, wire basket mount.

Outdoor Coil Fan

PVC coated fan guard furnished.

Required Selections

Cooling Capacity

Specify nominal cooling capacity of the unit.

Options/Accessories

Field Installed

Condensate Drain Trap

Field installed only.

Available in copper or PVC.

Drain Pan Overflow Switch

Monitors condensate level in drain pan, shuts down unit if drain becomes clogged.

Low Ambient Kit

Designed for use in ambient temperatures no lower than 0°F. Cycles the outdoor fan while allowing compressor operation in the cooling cycle. Includes field installed pressure switch on the liquid line to determine when to operate the outdoor fan. This intermittent fan operation allows the system to operate without icing the evaporator coil and losing capacity.

If the liquid line pressure drops below 240 psig outdoor fan operates at 25% normal fan speed. If pressure drops below 180 psig outdoor fan stops until pressure rises to 300 psig, then fan operates at 25% normal fan speed unless main pressure switch has reset to 450 psig to resume normal cooling operation and full fan speed operation.

GAS HEATING SYSTEM

- 6** Aluminized steel inshot burners, direct spark ignition, electronic flame sensor, combustion air inducer, redundant automatic single or dual stage gas valve with manual shut-off.

Heat Exchanger

Tubular construction, stainless steel, life cycle tested.

- 7** **Electronic Ignition**

Electronic spark igniter provides positive direct ignition of burners on each operating cycle. The system permits main gas valve to stay open only when the burners are proven to be lit. Should a loss of flame occur, the gas valve closes, shutting off the gas to the burners. Ignition module has LED to indicate status and aid in troubleshooting.

Watchguard circuit on module automatically resets ignition controls after one hour of continuous thermostat demand after unit lockout, eliminating nuisance service calls. Ignition control is factory installed in the controls section.

Limit Controls

Factory installed, redundant limit controls with fixed temperature setting.

Heat limit controls protect heat exchanger and other components from overheating.

Safety Switches

Flame roll-out switch, flame sensor and combustion air inducer proving switch protect system operation.

Low NOx Models

All single phase models are available in low NOx versions.

Required Selections

Gas Input Choice - Order one:

- Standard Gas Heat (1 Stage) 65,000 Btuh, Low NOx
- Standard Gas Heat (2 Stage) 53,000/70,000 Btuh, Low NOx
- Medium Gas Heat (2 Stage) 81,000/108,000 Btuh, Conventional Gas or Low NOx
- High Gas Heat (2 Stage) 113,000/150,000 Btuh, Conventional Gas or Low NOx

Conventional or Low NOx Gas Heat

Specify conventional gas heat or Low NOx option (three phase models only).

NOTE - All single phase models are Low NOx equipped.

FEATURES AND BENEFITS

GAS HEATING SYSTEM **(continued)**

Options/Accessories

Field Installed

Combustion Air Intake Extensions

Recommended for use with existing flue extension kits in areas where high snow areas can block intake air.

Low Temperature Vestibule Heater

Electric heater automatically controls minimum temperature in gas burner compartment when temperature is below -40°F. C.S.A. certified to allow operation of unit down to -60°F.

LPG/Propane Kits

Conversion kit to field change over units from Natural Gas to LPG/Propane.

Vertical Vent Extension Kit

Use to exhaust flue gases vertically above unit. Required when unit vent is too close to fresh air intakes per building codes. The vent kit also prevents ice formation on intake louvers.

CABINET

8 Construction

Heavy-gauge steel panels and full perimeter heavy-gauge galvanized steel base rail provides structural integrity for transportation, handling, and installation.

Base rails have rigging holes. Three sides of the base rail have fork slots.

Raised edges around duct and power entry openings in the bottom of the unit provide additional protection against water entering the building.

Airflow Choice

Units are shipped in downflow (vertical) configuration, can be field converted to horizontal air flow configuration without the need of a kit.

9 Power/Gas Entry

Electrical and gas lines can be brought through the unit base or through horizontal access knock-outs.

10 Exterior Panels

Constructed of heavy-gauge, galvanized steel with a two-layer enamel paint finish.

11 Insulation

All panels adjacent to conditioned air are fully insulated with non-hygroscopic fiberglass insulation. Unit base is fully insulated. The insulation also serves as an air seal to the roof curb, eliminating the need to add a seal during installation.

Access Panels

Access panels are provided for the economizer/filter section, heating/blower section, and the compressor/controls section.

NOTE - All 048/060 models include a filler panel for proper cabinet fit for optional accessories (Economizers, Power Exhaust, Outdoor Air Dampers and Barometric Relief Dampers).

Options/Accessories

Factory Installed

Corrosion Protection

A completely flexible immersed coating with an electrodeposited dry film process (AST ElectroFin E-Coat). Meets Mil Spec MIL-P-53084, ASTM B117 Standard Method Salt Spray Testing.

Indoor Corrosion Protection:

- Coated coil
- Painted blower housing
- Painted base

Outdoor Corrosion Protection:

- Coated coil
- Painted base

12 Hinged Access Panels

Large access panels are hinged and have quarter-turn latches for quick and easy access to maintenance areas (economizer / filter, compressor / controls, heating / blower).

Field Installed

Combination Coil/Hail Guards

Heavy gauge steel frame painted to match cabinet with expanded metal mesh to protect the outdoor coil from damage.

13 BLOWER

A wide selection of supply air blower options are available to meet a variety of air flow requirements.

Motor

Overload protected, equipped with ball bearings (belt drive) or sleeve bearings (direct drive).

Multi-tap ECM direct drive motors are offered on 024, 036, 048 and 060 models. Motor has 5 speed taps to allow adjustment to meet cooling, heating, and ventilation needs at a wide range of external static pressures.

Two-speed belt drive motors (low static/high static) are available on 036, 048 and 060 models in several different sizes to maximize air performance.

Supply Air Blower

Forward curved blades, blower wheel is statically and dynamically balanced.

All belt drive motors have adjustable pulley for speed change.

Required Selections

Ordering Information

Specify direct drive or belt drive blower motor. (See Blower Data Table for specifications)

For belt drive, specify motor horsepower and drive kit number when base unit is ordered. See Drive Kit Specifications Table.

FEATURES AND BENEFITS

CONTROLS

14 Unit Control

All control voltage is provided via a 24V (secondary) transformer with built-in circuit breaker protection.

Heat/Cool Staging - Capable of up to 2 heat / 2 cool staging with a third party DDC control system or thermostat.

Low Voltage Terminal Block - Provides screw terminal connections for thermostat or controller wiring.

Night Setback Mode - Saves energy by closing outdoor air dampers and operating supply fan on thermostat demand only.

Defrost Control

Control furnished as standard.

Gives a demand defrost cycle whenever system heating performance falls below optimum levels. The sensing element on coil determines when defrost cycle is required and when to terminate cycle.

Anti-short cycle (5 minutes) incorporated into the board.

Diagnostic LED's furnished as an aid in troubleshooting.

NOTE - Gas heating operates during a defrost cycle.

Balance Point Thermostat

Controls the changeover temperature between the heat pump heating operation and gas heat heating operation.

Options/Accessories

Field Installed

Smoke Detector

Photoelectric type, installed in supply air section, return air section or both sections. Available with power board and single sensor (supply or return) or power board and two sensors (supply and return). Power board located in unit control compartment.

INDOOR AIR QUALITY

Air Filters

Disposable 2 inch filters furnished as standard.

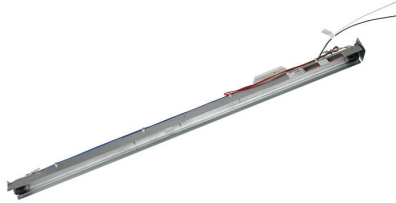
Options/Accessories

Field Installed

High Efficiency Air Filters

Disposable MERV 8 or MERV 13 (Minimum Efficiency Reporting Value based on ASHRAE 52.2) efficiency 2 inch pleated filters.

UVC Germicidal Lamps



Helps eliminate mold and bacterial growth on the evaporator and drain pans. Improves indoor air quality and maintains efficiency of system by reducing fouling of evaporator coil.

Indoor Air Quality (CO₂) Sensor

Monitors CO₂ levels adjusts economizer dampers as needed for Demand Control Ventilation.

ELECTRICAL

Marked & Color-Coded Wiring

All electrical wiring is color-coded and marked to identify which components it is connecting.

Electrical Plugs

Positive connection electrical plugs are used to connect common accessories or maintenance parts for easy removal or installation.

Required Selections

Voltage Choice

Specify when ordering base unit.

Options/Accessories

Factory or Field Installed

Disconnect Switch up to 150 Amp

Accessible from outside of unit, spring loaded weatherproof cover furnished. Main power to the unit is field connected to the disconnect which allows all power to be shut off for service. See Electrical/Electric Heat tables for ordering information, page 31.

GFI Service Outlets (2)

115V ground fault circuit interrupter (GFCI) type, non-powered, field-wired.

Field Installed

GFI Weatherproof Cover

Single-gang cover.

Heavy-duty UV-resistant polycarbonate case construction. Hinged base cover with gasket.

ECONOMIZER OPTIONS

Factory or Field Installed

15 Economizer (Standard and High Performance Common Features)

Outdoor Air Hood is furnished.

Factory installed Economizer can be ordered with two exhaust options:

- Barometric Relief Dampers and Exhaust Hood.
- No Exhaust.

Field installed Economizer includes Barometric Relief Dampers with Exhaust Hood.

Barometric Relief Dampers allow relief of excess air, aluminum blade dampers prevent blow back and outdoor air infiltration during off cycle, bird screen furnished.

Occupied/Unoccupied mode with field furnished setback thermostat.

Demand Control Ventilation (DCV) ready using optional CO₂ sensors.

Mixed Air Sensor is furnished for field installation in the rooftop unit. Sensor is factory installed when Economizers are factory installed.

Single sensible sensor is furnished with Economizer and enables economizer operation if the outdoor temperature is less than the setpoint of the control.

Horizontal Economizer Conversion kit is available for field installation.

Standard Economizer Features (Not for Title 24)

Gear-driven action, return air and outdoor air dampers, plug-in connections to unit, neoprene seals, 24-volt, fully-modulating spring return motor.

Standard Economizer Control Module

The Standard Economizer Control Module can be adjusted to operate based on outdoor air temperatures.



Economizer Controls:

- Damper Minimum Position - Can be set lower than traditional minimum air requirements resulting in cost savings.
- IAQ Sensor - Signals dampers to modulate and maintain 55°F when CO₂ is higher than the CO₂ setpoint.
- Demand Control Ventilation (DCV) LED - A steady green Demand Control Ventilation LED indicates the IAQ reading is higher than setpoint and requires more fresh air.
- Free Cool LED - A steady green LED indicates outdoor air is suitable for free cooling.

Free Cooling runs when outdoor air temperature is lower than the set temperature on the economizer control.

NOTE: The Free Cooling default setting for outdoor air temperature sensor is 55°F.

High Performance Economizer Features

Approved for California Title 24 building standards.

ASHRAE 90.1-2010 compliant.

Gear-driven action, high torque 24-volt fully-modulating spring return damper motor, return air and outdoor air dampers, plug-in connections to unit, nylon bearings, enhanced neoprene blade edge seals and flexible stainless steel jamb seals to minimize air leakage.

NOTE - High Performance Economizers are not approved for use with enthalpy controls in Title 24 applications.

High Performance Economizer Control Module

Module provides inputs and outputs to control economizer based on parameter settings. Module automatically detects sensors by polling to determine which sensors are installed in system.



Module displays any alarm messages (fault detection and diagnostics) as an aid in troubleshooting.

Non-volatile memory retains parameter settings in case of power failure.

Keypad with four navigation buttons and LCD screen is furnished for setting economizer parameters.

- Menu Up/Exit (↑) button returns to the main menu.
- Arrow Up (▲) button moves to the previous or next parameter within the selected menu.
- Arrow Down (▼) button moves to the next parameter within the selected menu.
- Select (enter) (↵) button confirms parameter selection.

Main Menu Structure:

- STATUS (economizer and system operation status)
- SETPOINTS (settings for various setpoint parameters)
- SYSTEM SETUP (settings/information about the system)
- ADVANCED SETUP (freeze protection, CO₂ settings, stage 3 delay and additional calibration settings)
- CHECKOUT (damper positions)
- ALARMS (output signal that can be configured for remote alarm monitoring)

NOTE - The Free Cooling setpoint for Title 24 applications must be set based on the Climate Zone where the system is installed. See Section 140.4 "Prescriptive Requirements for Space Conditioning Systems" of the California Energy Commission's 2013 Building Energy Efficiency Standards.

Refer to Installation Instructions for complete setup information and menu parameters available.

OPTIONS / ACCESSORIES

ECONOMIZER OPTIONS

(continued)

Factory or Field Installed

Single Enthalpy Temperature Control

(Not for Title 24)

Outdoor air enthalpy sensor enables Economizer if the outdoor enthalpy is less than the setpoint of the control.

Field Installed

Differential Enthalpy Control (Not for Title 24)

Order two Single Enthalpy Controls. One is field installed in the return air section, the other in the outdoor air section. Allows the economizer control board to select between outdoor air or return air, whichever has lower enthalpy.

Horizontal Economizer Conversion Kit

Insulated panel covers the bottom return air opening on the unit base to convert downflow Economizer to horizontal airflow.

EXHAUST OPTION

Field Installed

16 Power Exhaust Fan

Installs internal to unit for downflow applications only with Economizer option. Provides exhaust air pressure relief. Interlocked to run when supply air blower is operating, fan runs when outdoor air dampers are 50% open (adjustable), motor is overload protected.

Fan is 16 in. diameter with 4 fan blades and a 1/3 hp motor.

NOTE - Not available for 024 model.

NOTE - If Power Exhaust is field installed with a factory installed Economizer, the Economizer must be ordered with the "No Exhaust" option and the Barometric Relief Dampers with Exhaust Hood must also be ordered separately for field installation.

OUTDOOR AIR OPTIONS

Factory or Field Installed

Outdoor Air Dampers - Downflow or Horizontal

Single blade damper, 0 to 25% (fixed) outdoor air adjustable, installs in unit.

Automatic model features fully modulating spring return damper motor with plug-in connection.

Manual model features a slide damper. Maximum mixed air temperature in cooling mode: 100°F.

Outdoor Air Hood is furnished.

ROOF CURBS

Hybrid Roof Curbs, Downflow

Nailer strip furnished, mates to unit, U.S. National Roofing Contractors Approved, shipped knocked down.

Roof curb can be assembled using interlocking tabs to fasten corners together. No tools required.

Curb can also be fastened together with furnished hardware.

Available in 8, 14, 18, and 24 inch heights.

Full Perimeter Curbs, Downflow (060 Models Only)

Hybrid roof curbs can be assembled using interlocking tabs to fasten corners together. No tools required.

Hybrid roof curbs can also be fastened together with furnished hardware.

Available in 8, 14, 18, and 24 inch heights.

NOTE - 060 models can be used on smaller 79-3/4 in. Hybrid Roof Curbs (not full perimeter) with 15-3/4 in. overhang at condenser end of unit. See dimension drawing on page 42

Adjustable Pitch Curb

Fully adjustable pitch curb provides a level platform for rooftop units allowing flexible installations on roofs with uneven or sloped angles.

Maximum slope is 3/4 in. per foot in any direction.

Uses interlocking tabs to fasten corners together. No tools required.

Hardware is furnished to connect upper curb with lower curb.

Available in 14 inch height.

Adaptor Curbs (not shown)

Curbs are regionally sourced. Dimensions will vary based upon the source. Contact your local sales representative for a detailed cut sheet with applicable dimensions.

CEILING DIFFUSERS

Ceiling Diffusers (Flush and Step-Down)

Diffuser face and grilles with white powder coat finish, insulated (UL listed duct liner), diffuser box with collars for duct connection, fixed blades (flush diffusers) and double deflection blades (step-down diffusers), provisions for suspending, internally sealed (prevents recirculation), removable return air grille, adapts to T-bar ceiling grids or plaster ceilings.

Transitions (Supply and Return)

Used with diffusers, installs in roof curb, galvanized steel construction, flanges furnished for duct connection to diffusers, fully insulated.

OPTIONS / ACCESSORIES

Item	Model No.	Catalog No.	Unit Model No.			
			KDB 024	KDB 036	KDB 048	KDB 060
COOLING/HEATING SYSTEM						
Condensate Drain Trap	PVC - C1TRAP20AD2	76W26	X	X	X	X
	Copper - C1TRAP10AD2	76W27	X	X	X	X
Drain Pan Overflow Switch	K1SNSR71AB1	74W42	X	X	X	X
Low Ambient Kit	K1SNSR34*A0	15C84	X	X	X	X
Efficiency	High		O	O	O	O
Refrigerant Type	R-410A		O	O	O	O
GAS HEATING SYSTEM						
Bottom Gas Piping Kit	T1GPKT01AN1	19W50	X	X	X	X
Low Temperature Vestibule Heater	208/230V-1 or 3 ph - T1CWKT01AN1Y	19W53	X	X	X	X
	460V-3ph - T1CWKT01AN1G	19W54		X	X	X
	575V-3ph - T1CWKT01AN1J	19W62		X	X	X
Combustion Air Intake Extensions	T1EXTN10AN1	19W51	X	X	X	X
Gas Heat Input	Standard One-Stage - 65 kBtuh input	Factory	O			
	Standard Two-Stage - 53/70 kBtuh input	Factory		¹ O	¹ O	¹ O
	Medium Two Stage - 81/108 kBtuh input	Factory		O	O	O
	High Two-Stage - 113/150 kBtuh input	Factory			O	O
LPG/Propane Conversion Kits	For one-stage models - C1PROP10AP2	14N20	X	X	X	X
	For two-stage standard models - C1PROP28A11	21A01		X	X	X
	For two-stage medium and high models - C1PROP20AP2	14N21		X	X	X
Vertical Vent Extension	C1EXTN20FF1	31W62	X	X	X	X
BLOWER - SUPPLY AIR						
Motors	Direct Drive - 0.33 hp (208/230V-1ph)	Factory	O			
	Direct Drive - 0.50 hp (208/230V-1ph, 208/230V-3ph, 460V-3ph, 575V-3ph)	Factory		O		
	Direct Drive - 0.75 hp (208/230V-1ph, 208/230V-3ph, 460V-3ph, 575V-3ph)	Factory			O	
	Direct Drive - 1.0 hp (208/230V-1ph, 208/230V-3ph, 460V-3ph, 575V-3ph)	Factory				O
	Belt Drive - 0.75 hp (208/230V, 460V, 575V-3ph) (2 Speed)	Factory		O	O	
	Belt Drive - 1 hp (208/230V, 460V, 575V-3ph) (2 Speed)	Factory		O		O
	Belt Drive - 2 hp (208/230V, 460V, 575V-3ph) (2 Speed)	Factory			O	O
Drive Kits See Blower Data Tables for selection	Kit A01 - T1DRKT001-1 - 673-1010 rpm	Factory		O		
	Kit A02 - T1DRKT002-1 - 745-1117 rpm	Factory			O	
	Kit A03 - T1DRKT003-1 - 833-1250 rpm	Factory				O
	Kit A05 - T1DRKT005-1 - 897-1346 rpm	Factory		O		
	Kit A06 - T1DRKT006-1 - 1071-1429 rpm	Factory			O	
	Kit A07 - T1DRKT007-1 - 1212-1548 rpm	Factory				O

¹ Standard Two-Stage Heat is only available with Low NOx option.

NOTE - The catalog and model numbers that appear here are for ordering field installed accessories only.

OX - Field Installed or Configure to Order (factory installed)

O - Configure to Order (Factory Installed)

X - Field Installed

OPTIONS / ACCESSORIES

Item	Model No.	Catalog No.	Unit Model No.			
			KDB 024	KDB 036	KDB 048	KDB 060
CABINET						
Combination Coil/Hail Guards	C1GARD51A-1	13R98	X	X		
	C1GARD51AT1	13T03			X	X
Corrosion Protection		Factory	O	O	O	O
Hinged Access Panels		Factory	O	O	O	O
CONTROLS						
Commercial Controls			X	X	X	X
BACnet®	K0CTRL31A-1	96W14	OX	OX		
	K0CTRL31AP1	12B99			OX	OX
BACnet® Thermostat with Display	K0SNSR01FF1	97W23	X	X	X	X
BACnet® Thermostat without Display	K0SNSR00FF1	97W24	X	X	X	X
Novar® 2051	K0CTRL30A-1	96W11	OX	OX		
	K0CTRL30AP1	12B98			OX	OX
Plenum Cable (75 ft.)	K0MISC00FF1	97W25	X	X	X	X
Smoke Detector - Supply or Return (Power board and one sensor)	C1SNSR44AP1	53W78	X	X	X	X
Smoke Detector - Supply and Return (Power board and two sensors)	C1SNSR43AP1	53W79	X	X	X	X

NOTE - The catalog and model numbers that appear here are for ordering field installed accessories only.

OX - Field Installed or Configure to Order (factory installed)

O - Configure to Order (Factory Installed)

X - Field Installed

OPTIONS / ACCESSORIES

Item	Model No.	Catalog No.	Unit Model No.			
			KDB 024	KDB 036	KDB 048	KDB 060
ECONOMIZER						
Standard Economizer With Outdoor Air Hood (Sensible Control) (Not for Title 24)						
Standard Economizer - Includes Barometric Relief Dampers and Exhaust Hood	K1ECON30A-3-	14D90	OX	OX	OX	OX
Economizer - No Exhaust		Factory	O	O	O	O
Standard Economizer Controls (Not for Title 24)						
Single Enthalpy Control	C1SNSR64FF1	53W64	OX	OX	OX	OX
Differential Enthalpy Control (order 2)	C1SNSR64FF1	53W64	X	X	X	X
High Performance Economizer With Outdoor Air Hood (Sensible Control) (Approved for California Title 24 Building Standards)						
High Performance Economizer - Includes Barometric Relief Dampers and Exhaust Hood	K1ECON32A-2	14D91	OX	OX	OX	OX
Hgh Performance Economizer - No Exhaust		Factory	O	O	O	O
High Performance Economizer Controls (Not for Title 24)						
Single Enthalpy Control	C1SNSR60FF1	10Z75	OX	OX	OX	OX
Differential Enthalpy Control (order 2)	C1SNSR60FF1	10Z75	X	X	X	X
Economizer Accessories						
Horizontal Economizer Conversion Kit	T1HECK00AN1	17W45	X	X	X	X
OUTDOOR AIR						
Outdoor Air Dampers - Includes Outdoor Air Hood						
Motorized	C1DAMP21A-1	15D17	OX	OX	OX	OX
Manual	C1DAMP11A-2	15D18	OX	OX	OX	OX
POWER EXHAUST FAN						
Standard Static	208/230V-1 or 3ph - C1PWRE10A-1P	79W87		X	X	X
<i>NOTE - Order Barometric Relief Dampers with Exhaust Hood below if unit is ordered with factory installed Economizer with "No Exhaust" option</i>	460V-3ph - C1PWRE10A-1G	79W88		X	X	X
	575V-3ph - C1PWRE10A-1J	79W89		X	X	X
¹ BAROMETRIC RELIEF						
Barometric Relief Dampers with Exhaust Hood	C1DAMP50A-1-	74W38	X	X	X	X
¹ Required when Economizer is factory installed (no exhaust option) with field installed Power Exhaust Fan option.						
ELECTRICAL						
Disconnect	See Electrical Data Tables for selection		OX	OX	OX	OX
Voltage	208/230V - 1 phase		O	O	O	O
60 hz	208/230V - 3 phase			O	O	O
	460V - 3 phase			O	O	O
	575V - 3 phase			O	O	O
GFI Service	15 amp non-powered, field-wired (208/230V, 460V only) LTAGFIK10/15	74M70	OX	OX	OX	OX
Outlets	20 amp non-powered, field-wired (575V only) C1GFICI20FF1	67E01	X	X	X	X
Weatherproof Cover for GFI	C1GFICI99FF1	10C89	X	X	X	X

NOTE - The catalog and model numbers that appear here are for ordering field installed accessories only.

OX - Field Installed or Configure to Order (factory installed)

O - Configure to Order (Factory Installed)

X - Field Installed

OPTIONS / ACCESSORIES

Item	Model No.	Catalog No.	Unit Model No.			
			KDB 024	KDB 036	KDB 048	KDB 060
INDOOR AIR QUALITY						
Air Filters						
High Efficiency Air Filters Order 4 per unit	MERV 8 (16 x 20 x 2) - C1FLTR15A-1-	54W20	X	X		
	MERV 13 (16 x 20 x 2) - T1FLTR40A-1-	52W37	X	X		
	MERV 8 (20 x 20 x 2) - C1FLTR15D-1-	54W21			X	X
	MERV 13 (20 x 20 x 2) - C1FLTR40D-1-	52W39			X	X
Indoor Air Quality (CO₂) Sensors						
Sensor - Wall-mount, off-white plastic cover with LCD display	C0SNSR50AS1L	77N39	X	X	X	X
Sensor - Wall-mount, black plastic case, no display, rated for plenum mounting	C0SNSR53AE1L	87N54	X	X	X	X
CO ₂ Sensor Duct Mounting Kit - for downflow applications		85L43	X	X	X	X
Aspiration Box - for duct mounting non-plenum rated CO ₂ sensor (77N39)		90N43	X	X	X	X
UVC Germicidal Lamps						
¹ UVC Light Kit (208/230v-1ph)	E1UVCL10AN1	50W90	X	X	X	X
ROOF CURBS						
Hybrid Roof Curbs, Downflow						
8 in. height	C1CURB70A-1	11F50	X	X	X	² X
14 in. height	C1CURB71A-1	11F51	X	X	X	² X
18 in. height	C1CURB72A-1	11F52	X	X	X	² X
24 in. height	C1CURB73A-1	11F53	X	X	X	² X
Hybrid Roof Curbs, Full Perimeter, Downflow						
8 in. height	K1CURB70AP1	11S47				X
14 in. height	K1CURB71AP1	11S48				X
18 in. height	K1CURB72AP1	11T01				X
24 in. height	K1CURB73AP1	11T06				X
Adjustable Pitch Curb, Downflow						
14 in. height	C1CURB55AT1	43W27	X	X	X	X
CEILING DIFFUSERS						
Step-Down - Order one	RTD9-65S	13K60	X	X	X	
	RTD11-95S	13K61				X
Flush - Order one	FD9-65S	13K55	X	X	X	
	FD11-95S	13K56				X
Transitions (Supply and Return) - Order one	T1TRAN10AN1	17W53	X	X	X	
	T1TRAN20N-1	17W54				X

¹ Lamps operate on 110-230V single-phase power supply. Step-down transformer may be ordered separately for 460V and 575V units. Alternately, 110V power supply may be used to directly power the UVC ballast(s).

² 060 models will fit smaller roof curbs with overhang. See dimension drawing.

NOTE - The catalog and model numbers that appear here are for ordering field installed accessories only.

OX - Field Installed or Configure to Order (factory installed)

O - Configure to Order (Factory Installed)

X - Field Installed

SPECIFICATIONS - DIRECT DRIVE BLOWER

General Data		Nominal Tonnage		2 Ton	3 Ton	4 Ton	5 Ton
		Model No.		KDB024H4E	KDB036H4E	KDB048H4E	KDB060H4E
		Efficiency Type		High	High	High	High
		Blower Type		Direct Drive-ECM	Direct Drive-ECM	Direct Drive-ECM	Direct Drive-ECM
Cooling Performance	Gross Cooling Capacity - Btuh			23,800	35,700	46,800	59,400
	¹ Net Cooling Capacity - Btuh			23,600	35,200	46,000	58,000
	AHRI Rated Air Flow - cfm			800/560	1200/800	1430/1120	1650/1210
	² Sound Rating Number (SRN) (dBA)			74	75	77	77
	Total Unit Power - kW			1.8	2.8	3.6	4.7
	¹ SEER (Btuh/Watt)			16.5	16.0	16.0	16.0
	¹ EER (Btuh/Watt) - 208/230V			13.0	12.7	12.8	12.5
	¹ EER (Btuh/Watt) - 460V/575V			13.0	12.4	12.8	12.5
Refrigerant	Type			R-410A	R-410A	R-410A	R-410A
	Charge Furnished			13 lbs. 0 oz.	12 lbs. 13 oz.	14 lbs. 0 oz.	20 lbs. 0 oz.
Heating Performance	Total High Heating Capacity - Btuh			24,000	35,000	46,000	59,000
	Total Unit Power - kW			1.8	2.6	3.4	4.7
	¹ COP			3.88	3.90	3.90	3.70
	¹ HSPF - Region IV (Region V)			8.30	8.50	8.50	8.50
	Total Low Heating Capacity - Btuh			13,000	19,200	26,000	34,000
	Total Unit Power - kW			1.6	2.3	3.0	4.0
	COP			2.34	2.40	2.46	2.46
Gas Heating Options - See page 15				Standard (1 Stage)	Standard (2 Stage) or Medium (2 Stage)	Standard (2 Stage), Medium (2 Stage) or High (2 Stage)	
Compressor Type (one per unit)				Two-Stage Scroll	Two-Stage Scroll	Two-Stage Scroll	Two-Stage Scroll
Outdoor Coil	Net face area - sq. ft.			15.6	15.6	19.3	28.0
	Tube diameter - in.			3/8	3/8	3/8	3/8
	Number of rows			2	2	2	2
	Fins / inch			20	20	20	20
Outdoor Coil Fan	Motor - (No.) HP			(1) 1/3	(1) 1/3	(1) 1/3	(1) 1/3
	Motor rpm			725/500	775/650	850/700	930/785
	Total Motor Input - watts			165/60	193/125	251/140	236/145
	Diameter - (No.) in. / No. of blades			24 - 3	24 - 3	24 - 3	24 - 3
	Total air volume - cfm			3340/2240	3500/2970	4060/3330	4135/3385
Indoor Coil	Net face area - sq. ft.			7.8	7.8	9.7	9.7
	Tube diameter - in.			3/8	3/8	3/8	3/8
	Number of rows			3	3	3	4
	Fins / inch			14	14	14	14
	Drain Connection (no.) and size - in.			(1) 1 NPT	(1) 1 NPT	(1) 1 NPT	(1) 1 NPT
	Expansion device type			Balanced Port Thermostatic Expansion Valve, removable power head			
Indoor Blower	Nominal Motor HP			0.33	0.50	0.75	1
	Wheel nom. diameter x width - in.			(1) 10 x 10	(1) 10 x 10	(1) 10 x 10	(1) 11 x 10
Filters	Type			Disposable		Disposable	
	Number and size - in.			(4) 16 x 20 x 2		(4) 20 x 20 x 2	
Electrical Characteristics - 60 hz				208/230V 1 phase	208/230V 1 phase 208/230V, 460V & 575V 3 phase	208/230V 1 phase 208/230V, 460V & 575V 3 phase	208/230V 1 phase 208/230V, 460V & 575V 3 phase

NOTE - Net capacity includes evaporator blower motor heat deduction. Gross capacity does not include evaporator blower motor heat deduction.

¹ AHRI Certified to AHRI Standard 210/240:

Cooling Ratings - 95°F outdoor air temperature and 80°F db/67°F wb entering indoor coil air.

High Temperature Heating Ratings - 47°F db/43°F wb outdoor air temperature and 70°F entering indoor coil air.

Low Temperature Heating Ratings - 17°F db/15°F wb outdoor air temperature and 70°F entering indoor coil air.

² Sound Rating Number (SRN) rated in accordance with test conditions included in AHRI Standard 270-95.

SPECIFICATIONS - BELT DRIVE BLOWER

General Data		Nominal Tonnage	3 Ton	4 Ton	5 Ton	
		Model No.	KDB036H4T	KDB048H4T	KDB060H4T	
		Efficiency Type	High	High	High	
		Blower Type	Two Speed Belt Drive	Two Speed Belt Drive	Two Speed Belt Drive	
Cooling Performance	Gross Cooling Capacity - Btuh		36,200	47,600	59,600	
	¹ Net Cooling Capacity - Btuh		35,000	46,000	57,500	
	AHRI Rated Air Flow - cfm		1200	1600	1800	
	² Sound Rating Number (SRN) (dBA)		75	77	77	
	Total Unit Power - kW		3.0	3.8	4.9	
	¹ SEER (Btuh/Watt) - 208/230V		15.0	15.0	15.0	
	¹ SEER (Btuh/Watt) - 460V/575V		14.8	14.8	15.0	
	¹ EER (Btuh/Watt) - 208/230V		12.0	12.0	12.0	
¹ EER (Btuh/Watt) - 460V/575V		11.8	11.9	11.8		
Refrigerant	Type		R-410A	R-410A	R-410A	
	Charge Furnished		12 lbs. 13 oz.	14 lbs. 0 oz.	20 lbs. 0 oz.	
Heating Performance	Total High Heating Capacity - Btuh		35,000	46,000	59,000	
	Total Unit Power - kW		2.8	3.5	4.7	
	¹ COP		3.64	3.82	3.64	
	HSPF - Region IV (Region V)		8.30	8.30	8.30	
	Total Low Heating Capacity - Btuh		19,200	26,000	34,000	
	Total Unit Power - kW		2.3	3.0	4.0	
	¹ COP		2.22	2.38	2.46	
Gas Heating Options - See page 15			Standard (2 Stage) or Medium (2 Stage)	Standard (2 Stage), Medium (2 Stage) or High (2 Stage)		
Compressor Type (one per unit)			Two-Stage Scroll	Two-Stage Scroll	Two-Stage Scroll	
Outdoor Coil	Net face area - sq. ft.		15.6	19.3	28.0	
	Tube diameter - in. - Number of rows		3/8 - 2	3/8 - 2	3/8 - 2	
	Fins / inch		20	20	20	
Outdoor Coil Fan	Motor - (No.) HP		1/3	1/3	1/3	
	Motor rpm		775/650	850/700	930/785	
	Total Motor Input - watts		195/125	251/140	235/145	
	Diameter - (No.) in. / No. of blades		24 - 3	24 - 3	24 - 3	
	Total air volume - cfm		3500/2970	4060/3330	4135/3385	
Indoor Coil	Net face area - sq. ft.		7.8	9.7	9.7	
	Tube diameter - in. - Number of rows		3/8 - 3	3/8 - 3	3/8 - 3	
	Fins / inch		14	14	14	
	Drain Connection (no.) and size - in.		(1) 1 NPT	(1) 1 NPT	(1) 1 NPT	
Expansion device type			Balanced Port Thermostatic Expansion Valve, removable power head			
³ Indoor Blower & Drive Selection	Nominal Motor HP		0.75 hp (low), 1 hp (high)	0.75 hp (low), 2 hp (high)	1 hp (low), 2 hp (high)	
	Maximum Usable Motor HP		0.86 hp (low), 1.15 hp (high)	0.86 hp (low), 2.3 hp (high)	1.15 hp (low), 2.3 hp (high)	
	Available Drive Kits	A01		low 449-673 high 673-1010	A02 low 497-673 high 745-1117	A03 low 555-833 high 833-1250
		A05		low 598-897 high 897-1346	A06 low 714-953 high 1071-1429	A07 low 808-1032 high 1212-1548
		Wheel nominal diameter x width - in.		(1) 10 x 10	(1) 10 x 10	(1) 11 x 10
Filters	Type		Disposable	Disposable		
	Number and size - in.		(4) 16 x 20 x 2	(4) 20 x 20 x 2		
Electrical Characteristics - 60 hz			208/230V, 460V & 575V 3 phase	208/230V, 460V & 575V 3 phase	208/230V, 460V & 575V 3 phase	

NOTE - Net capacity includes evaporator blower motor heat deduction. Gross capacity does not include evaporator blower motor heat deduction.

¹ AHRI Certified to AHRI Standard 210/240:

Cooling Ratings - 95°F outdoor air temperature and 80°F db/67°F wb entering indoor coil air.

High Temperature Heating Ratings - 47°F db/43°F wb outdoor air temperature and 70°F entering indoor coil air.

Low Temperature Heating Ratings - 17°F db/15°F wb outdoor air temperature and 70°F entering indoor coil air.

² Sound Rating Number (SRN) rated in accordance with test conditions included in ARI Standard 270-95.

³ Using total air volume and system static pressure requirements determine from blower performance tables rpm and motor hp required. Maximum usable hp of motors furnished are shown. In Canada, nominal motor hp is also maximum usable motor hp. If motors of comparable hp are used, be sure to keep within the service factor limitations outlined on the motor nameplate.

SPECIFICATIONS - GAS HEAT - THREE PHASE MODELS

Model No.		036, 048, 060	036, 048, 060	048, 060
Heat Input Type		Standard (2 Stage)	Medium (2 Stage)	High (2 Stage)
Input Btuh	1st Stage	53,000	81,000	113,000
	2nd Stage	70,000	108,000	150,000
Output Btuh	1st Stage	43,000	65,000	90,000
	2nd Stage	57,000	86,000	120,000
Temperature Rise Range - °F	1st stage	5 - 35	25 - 55	30 - 60
	2nd Stage	15 - 45	30 - 70	45 - 75
¹ Thermal Efficiency		80%	80%	80%
Gas Supply Connections		1/2 in. NPT		
Rec. Gas Supply Pressure - Nat./ LPG		7 in.w.g. / 11 in.w.g.		

¹ Thermal Efficiency at full input.

SPECIFICATIONS - LOW NOX GAS HEAT - SINGLE AND THREE PHASE MODELS

Model No.		024	036, 048, 060	036, 048, 060	048, 060
Heat Input Type		Standard (1 Stage)	Standard (2 Stage)	Medium (2 Stage)	High (2 Stage)
Input Btuh	1st Stage	65,000	53,000	81,000	113,000
	2nd Stage	---	70,000	108,000	150,000
Output Btuh	1st Stage	52,000	43,000	66,000	92,000
	2nd Stage	---	57,000	87,000	121,000
Temperature Rise Range - °F	1st stage	35 - 65	5 - 35	25 - 55	30 - 60
	2nd Stage	---	15 - 45	30 - 70	45 - 75
¹ AFUE (single phase)		81%	81%	81%	81%
² Thermal Efficiency (three phase)		---	81%	81%	81%
Gas Supply Connections		1/2 in. NPT			
Rec. Gas Supply Pressure - Nat./ LPG		7 in.w.g. / 11 in.w.g.			

¹ Annual Fuel Utilization Efficiency based on U.S. DOE test procedures and FTC labeling regulations - 1 phase models only.

² Thermal Efficiency at full input.

HIGH ALTITUDE DERATE

NOTE - Units may be installed at altitudes up to 2000 ft. above sea level without any modifications. At altitudes above 2000 ft. units must be derated to match information in the table shown. At altitudes above 4500 ft. unit must be derated 2% for each 1000 ft. above sea level.
NOTE - This is the only permissible derate for these units.

Heat Input Type	Altitude Feet	Gas Manifold Pressure in. w.g.		Input Rate (Btuh)
		Natural Gas	LPG/ Propane	
Standard (1 stage)	2001 - 4500	3.0	9.0	60,000
Standard (2 stage)	2001 - 4500	3.0/1.7	9.0/5.1	65,000 / 49,000
Medium (2 stage)	2001 - 4500	3.0/1.7	9.0/5.1	100,000 / 75,000
High (2 stage)	2001 - 4500	3.0/1.7	9.0/5.1	139,000 / 104,000

COOLING / HEATING RATINGS

NOTE – For Temperatures and Capacities not shown in tables, see bulletin – Cooling Unit Rating Table Correction Factor Data in Miscellaneous Engineering Data section.

2 TON COOLING HIGH EFFICIENCY KDB024H4 (1ST STAGE)

Entering Wet Bulb Temperature	Total Air Volume	Outdoor Air Temperature Entering Outdoor Coil																			
		65°F					75°F					85°F					95°F				
		Total Cool Cap.	Comp. Motor Input	Sensible To Total Ratio (S/T)			Total Cool Cap.	Comp. Motor Input	Sensible To Total Ratio (S/T)			Total Cool Cap.	Comp. Motor Input	Sensible To Total Ratio (S/T)			Total Cool Cap.	Comp. Motor Input	Sensible To Total Ratio (S/T)		
				Dry Bulb					Dry Bulb					Dry Bulb					Dry Bulb		
cfm	kBtuh	kW	75°F	80°F	85°F	kBtuh	kW	75°F	80°F	85°F	kBtuh	kW	75°F	80°F	85°F	kBtuh	kW	75°F	80°F	85°F	
63°F	450	17.9	.77	0.69	0.82	0.95	17.1	.89	0.69	0.83	0.96	16.0	1.03	0.70	0.85	0.99	14.8	1.20	0.71	0.87	1.00
	560	19.2	.76	0.74	0.88	1.00	18.3	.88	0.74	0.90	1.00	17.1	1.02	0.76	0.92	1.00	15.8	1.19	0.77	0.96	1.00
	670	20.2	.75	0.78	0.95	1.00	19.2	.87	0.79	0.97	1.00	17.9	1.02	0.81	1.00	1.00	16.7	1.18	0.84	1.00	1.00
67°F	450	19.2	.76	0.55	0.67	0.78	18.3	.88	0.55	0.67	0.79	17.2	1.02	0.55	0.68	0.81	15.9	1.19	0.55	0.69	0.83
	560	20.4	.75	0.58	0.71	0.85	19.4	.87	0.58	0.72	0.86	18.2	1.01	0.58	0.73	0.89	16.9	1.18	0.59	0.75	0.92
	670	21.4	.74	0.60	0.76	0.91	20.3	.86	0.61	0.77	0.94	19.0	1.00	0.61	0.79	0.96	17.6	1.17	0.62	0.81	1.00
71°F	450	20.5	.75	0.42	0.54	0.64	19.5	.87	0.42	0.53	0.65	18.3	1.01	0.41	0.54	0.66	17.0	1.18	0.40	0.54	0.67
	560	21.8	.74	0.44	0.57	0.69	20.7	.86	0.43	0.57	0.70	19.5	1.00	0.42	0.57	0.71	18.0	1.16	0.42	0.58	0.73
	670	22.8	.73	0.45	0.59	0.74	21.6	.85	0.45	0.60	0.75	20.3	.99	0.44	0.61	0.77	18.8	1.16	0.43	0.62	0.79

2 TON COOLING HIGH EFFICIENCY KDB024H4 (2ND STAGE)

Entering Wet Bulb Temperature	Total Air Volume	Outdoor Air Temperature Entering Outdoor Coil																			
		85°F					95°F					105°F					115°F				
		Total Cool Cap.	Comp. Motor Input	Sensible To Total Ratio (S/T)			Total Cool Cap.	Comp. Motor Input	Sensible To Total Ratio (S/T)			Total Cool Cap.	Comp. Motor Input	Sensible To Total Ratio (S/T)			Total Cool Cap.	Comp. Motor Input	Sensible To Total Ratio (S/T)		
				Dry Bulb					Dry Bulb					Dry Bulb					Dry Bulb		
cfm	kBtuh	kW	75°F	80°F	85°F	kBtuh	kW	75°F	80°F	85°F	kBtuh	kW	75°F	80°F	85°F	kBtuh	kW	75°F	80°F	85°F	
63°F	640	22.6	1.39	0.71	0.86	1.00	20.8	1.55	0.72	0.88	1.00	18.9	1.74	0.73	0.91	1.00	16.9	1.97	0.75	0.95	1.00
	800	24.0	1.39	0.77	0.94	1.00	22.2	1.56	0.79	0.97	1.00	20.3	1.75	0.81	1.00	1.00	18.5	1.97	0.83	1.00	1.00
	960	25.3	1.40	0.83	1.00	1.00	23.6	1.56	0.85	1.00	1.00	21.7	1.75	0.88	1.00	1.00	19.8	1.98	0.92	1.00	1.00
67°F	640	24.2	1.39	0.55	0.69	0.83	22.4	1.56	0.55	0.70	0.85	20.4	1.75	0.54	0.71	0.87	18.4	1.98	0.54	0.73	0.91
	800	25.7	1.40	0.59	0.75	0.90	23.8	1.56	0.59	0.76	0.93	21.7	1.75	0.59	0.79	0.96	19.5	1.98	0.60	0.81	1.00
	960	26.8	1.40	0.63	0.81	0.98	24.7	1.57	0.63	0.83	1.00	22.6	1.75	0.64	0.86	1.00	20.3	1.98	0.65	0.89	1.00
71°F	640	25.9	1.40	0.41	0.54	0.67	24.0	1.56	0.39	0.54	0.68	22.0	1.75	0.39	0.54	0.69	20.0	1.98	0.36	0.54	0.71
	800	27.5	1.40	0.43	0.58	0.73	25.5	1.57	0.41	0.58	0.75	23.3	1.76	0.40	0.59	0.76	21.1	1.98	0.38	0.60	0.79
	960	28.6	1.41	0.44	0.62	0.79	26.5	1.57	0.44	0.63	0.81	24.2	1.76	0.43	0.64	0.84	21.8	1.98	0.42	0.65	0.87

2 TON HEATING HIGH EFFICIENCY KDB024H4

Indoor Coil Air Volume 70°F Dry Bulb cfm	Air Temperature Entering Outdoor Coil									
	65°F		45°F		25°F		5°F		-15°F	
	Total Heating Capacity	Comp. Motor Input	Total Heating Capacity	Comp. Motor Input	Total Heating Capacity	Comp. Motor Input	Total Heating Capacity	Comp. Motor Input	Total Heating Capacity	Comp. Motor Input
640	29.8	1.80	22.1	1.66	14.2	1.51	8.6	1.35	4.4	1.02
800	30.4	1.69	22.7	1.54	14.8	1.39	9.2	1.24	4.9	0.90
960	30.7	1.62	23.1	1.47	15.1	1.33	9.5	1.17	5.3	0.83

COOLING / HEATING RATINGS

NOTE – For Temperatures and Capacities not shown in tables, see bulletin – Cooling Unit Rating Table Correction Factor Data in Miscellaneous Engineering Data section.

3 TON COOLING HIGH EFFICIENCY KDB036H4 (1ST STAGE)

Entering Wet Bulb Temperature	Total Air Volume	Outdoor Air Temperature Entering Outdoor Coil																							
		65°F						75°F						85°F						95°F					
		Total Cool Cap.	Comp. Motor Input	Sensible To Total Ratio (S/T)			Total Cool Cap.	Comp. Motor Input	Sensible To Total Ratio (S/T)			Total Cool Cap.	Comp. Motor Input	Sensible To Total Ratio (S/T)			Total Cool Cap.	Comp. Motor Input	Sensible To Total Ratio (S/T)						
				Dry Bulb					Dry Bulb					Dry Bulb					Dry Bulb						
cfm	kBtuh	kW	75°F	80°F	85°F	kBtuh	kW	75°F	80°F	85°F	kBtuh	kW	75°F	80°F	85°F	kBtuh	kW	75°F	80°F	85°F					
63°F	640	26.3	1.10	0.68	0.81	0.94	24.8	1.25	0.69	0.83	0.97	23.1	1.44	0.70	0.85	1.00	21.4	1.67	0.71	0.87	1.00				
	800	28.1	1.08	0.73	0.88	1.00	26.4	1.24	0.74	0.90	1.00	24.7	1.43	0.75	0.93	1.00	22.9	1.67	0.77	0.97	1.00				
	960	29.4	1.07	0.78	0.96	1.00	27.7	1.23	0.79	0.98	1.00	26.0	1.43	0.81	1.00	1.00	24.3	1.66	0.84	1.00	1.00				
67°F	640	28.2	1.09	0.54	0.66	0.77	26.5	1.24	0.54	0.66	0.79	24.9	1.43	0.54	0.67	0.81	23.1	1.66	0.54	0.69	0.83				
	800	29.9	1.07	0.57	0.71	0.85	28.2	1.23	0.57	0.71	0.86	26.4	1.42	0.58	0.73	0.89	24.5	1.66	0.58	0.75	0.92				
	960	31.1	1.06	0.60	0.75	0.92	29.4	1.22	0.60	0.77	0.94	27.5	1.42	0.61	0.79	0.97	25.6	1.65	0.62	0.81	1.00				
71°F	640	29.9	1.07	0.42	0.53	0.63	28.3	1.23	0.41	0.53	0.64	26.6	1.42	0.40	0.53	0.65	24.8	1.66	0.40	0.53	0.66				
	800	31.8	1.06	0.43	0.56	0.68	30.1	1.22	0.42	0.56	0.69	28.2	1.41	0.42	0.56	0.71	26.3	1.65	0.42	0.57	0.72				
	960	33.1	1.05	0.44	0.59	0.73	31.4	1.21	0.44	0.59	0.74	29.5	1.41	0.44	0.60	0.76	27.4	1.64	0.43	0.61	0.78				

3 TON COOLING HIGH EFFICIENCY KDB036H4 (2ND STAGE)

Entering Wet Bulb Temperature	Total Air Volume	Outdoor Air Temperature Entering Outdoor Coil																							
		85°F						95°F						105°F						115°F					
		Total Cool Cap.	Comp. Motor Input	Sensible To Total Ratio (S/T)			Total Cool Cap.	Comp. Motor Input	Sensible To Total Ratio (S/T)			Total Cool Cap.	Comp. Motor Input	Sensible To Total Ratio (S/T)			Total Cool Cap.	Comp. Motor Input	Sensible To Total Ratio (S/T)						
				Dry Bulb					Dry Bulb					Dry Bulb					Dry Bulb						
cfm	kBtuh	kW	75°F	80°F	85°F	kBtuh	kW	75°F	80°F	85°F	kBtuh	kW	75°F	80°F	85°F	kBtuh	kW	75°F	80°F	85°F					
63°F	960	34.0	2.14	0.70	0.86	1.00	31.5	2.40	0.71	0.88	1.00	28.9	2.72	0.73	0.91	1.00	26.1	3.08	0.75	0.95	1.00				
	1200	36.1	2.15	0.76	0.94	1.00	33.5	2.42	0.78	0.97	1.00	30.7	2.73	0.81	1.00	1.00	28.0	3.09	0.84	1.00	1.00				
	1440	37.8	2.16	0.83	1.00	1.00	35.4	2.43	0.85	1.00	1.00	32.7	2.74	0.88	1.00	1.00	29.9	3.10	0.92	1.00	1.00				
67°F	960	36.4	2.15	0.55	0.68	0.82	33.9	2.42	0.55	0.69	0.84	31.1	2.73	0.55	0.71	0.87	28.1	3.09	0.55	0.72	0.91				
	1200	38.5	2.17	0.58	0.74	0.91	35.7	2.43	0.59	0.76	0.94	32.8	2.74	0.59	0.78	0.97	29.5	3.10	0.60	0.81	1.00				
	1440	40.0	2.18	0.62	0.81	0.98	37.0	2.44	0.63	0.83	1.00	34.0	2.75	0.64	0.85	1.00	30.7	3.10	0.65	0.89	1.00				
71°F	960	38.8	2.17	0.41	0.53	0.66	36.2	2.43	0.40	0.54	0.67	33.3	2.74	0.39	0.54	0.69	30.2	3.10	0.37	0.54	0.70				
	1200	41.0	2.19	0.42	0.57	0.72	38.1	2.45	0.42	0.58	0.74	35.1	2.75	0.41	0.59	0.76	31.8	3.11	0.40	0.60	0.79				
	1440	42.5	2.20	0.44	0.61	0.78	39.5	2.46	0.44	0.62	0.81	36.4	2.76	0.43	0.63	0.83	32.9	3.12	0.43	0.65	0.87				

3 TON HEATING HIGH EFFICIENCY KDB036H4

Indoor Coil Air Volume 70°F Dry Bulb cfm	Air Temperature Entering Outdoor Coil									
	65°F		45°F		25°F		5°F		-15°F	
	Total Heating Capacity	Comp. Motor Input	Total Heating Capacity	Comp. Motor Input	Total Heating Capacity	Comp. Motor Input	Total Heating Capacity	Comp. Motor Input	Total Heating Capacity	Comp. Motor Input
960	43.8	2.62	32.6	2.44	20.9	2.25	13.3	1.99	6.8	1.50
1200	44.4	2.45	33.2	2.26	21.6	2.07	13.9	1.82	7.4	1.33
1440	45.0	2.35	33.8	2.16	22.1	1.97	14.5	1.72	8.0	1.22

COOLING / HEATING RATINGS

NOTE – For Temperatures and Capacities not shown in tables, see bulletin – Cooling Unit Rating Table Correction Factor Data in Miscellaneous Engineering Data section.

4 TON COOLING HIGH EFFICIENCY KDB048H4 (1ST STAGE)

Entering Wet Bulb Temperature	Total Air Volume	Outdoor Air Temperature Entering Outdoor Coil																							
		65°F						75°F						85°F						95°F					
		Total Cool Cap.	Comp. Motor Input	Sensible To Total Ratio (S/T)			Total Cool Cap.	Comp. Motor Input	Sensible To Total Ratio (S/T)			Total Cool Cap.	Comp. Motor Input	Sensible To Total Ratio (S/T)			Total Cool Cap.	Comp. Motor Input	Sensible To Total Ratio (S/T)						
				Dry Bulb					Dry Bulb					Dry Bulb					Dry Bulb						
cfm	kBtuh	kW	75°F	80°F	85°F	kBtuh	kW	75°F	80°F	85°F	kBtuh	kW	75°F	80°F	85°F	kBtuh	kW	75°F	80°F	85°F					
63°F	895	35.9	1.43	0.70	0.83	0.96	34.0	1.68	0.71	0.85	0.98	31.9	1.97	0.72	0.87	1.00	29.6	2.29	0.74	0.89	1.00				
	1120	38.0	1.41	0.75	0.90	1.00	36.1	1.66	0.76	0.92	1.00	34.0	1.95	0.78	0.95	1.00	31.5	2.27	0.80	0.98	1.00				
	1345	39.9	1.39	0.80	0.97	1.00	37.9	1.65	0.82	0.99	1.00	35.7	1.94	0.84	1.00	1.00	33.5	2.26	0.87	1.00	1.00				
67°F	895	38.2	1.41	0.56	0.68	0.80	36.3	1.66	0.56	0.69	0.81	34.1	1.95	0.56	0.70	0.83	31.7	2.27	0.56	0.71	0.86				
	1120	40.6	1.39	0.59	0.73	0.87	38.5	1.65	0.59	0.74	0.89	36.2	1.94	0.60	0.76	0.91	33.6	2.26	0.61	0.78	0.94				
	1345	42.4	1.38	0.62	0.78	0.93	40.2	1.64	0.63	0.79	0.96	37.7	1.93	0.64	0.81	0.98	35.0	2.25	0.64	0.84	1.00				
71°F	895	40.6	1.39	0.43	0.54	0.66	38.6	1.65	0.42	0.54	0.66	36.4	1.94	0.42	0.55	0.67	33.8	2.26	0.41	0.55	0.69				
	1120	43.0	1.37	0.44	0.57	0.71	41.0	1.63	0.44	0.58	0.72	38.5	1.92	0.43	0.59	0.73	35.9	2.25	0.43	0.60	0.75				
	1345	44.9	1.36	0.45	0.61	0.76	42.8	1.62	0.45	0.62	0.77	40.1	1.92	0.45	0.63	0.79	37.3	2.24	0.45	0.64	0.81				

4 TON COOLING HIGH EFFICIENCY KDB048H4 (2ND STAGE)

Entering Wet Bulb Temperature	Total Air Volume	Outdoor Air Temperature Entering Outdoor Coil																							
		85°F						95°F						105°F						115°F					
		Total Cool Cap.	Comp. Motor Input	Sensible To Total Ratio (S/T)			Total Cool Cap.	Comp. Motor Input	Sensible To Total Ratio (S/T)			Total Cool Cap.	Comp. Motor Input	Sensible To Total Ratio (S/T)			Total Cool Cap.	Comp. Motor Input	Sensible To Total Ratio (S/T)						
				Dry Bulb					Dry Bulb					Dry Bulb					Dry Bulb						
cfm	kBtuh	kW	75°F	80°F	85°F	kBtuh	kW	75°F	80°F	85°F	kBtuh	kW	75°F	80°F	85°F	kBtuh	kW	75°F	80°F	85°F					
63°F	1280	45.4	2.77	0.72	0.86	1.00	42.1	3.12	0.73	0.88	1.00	38.5	3.53	0.74	0.92	1.00	34.9	4.02	0.76	0.96	1.00				
	1600	48.1	2.78	0.78	0.95	1.00	44.7	3.14	0.79	0.98	1.00	41.1	3.55	0.82	1.00	1.00	37.5	4.04	0.85	1.00	1.00				
	1920	50.5	2.79	0.84	1.00	1.00	47.2	3.15	0.86	1.00	1.00	43.7	3.58	0.89	1.00	1.00	40	4.07	0.93	1.00	1.00				
67°F	1280	48.3	2.78	0.56	0.69	0.83	44.9	3.14	0.55	0.70	0.85	41.2	3.55	0.56	0.72	0.88	37.4	4.04	0.56	0.74	0.92				
	1600	51.1	2.8	0.59	0.76	0.92	47.4	3.16	0.60	0.77	0.95	43.5	3.57	0.61	0.80	0.98	39.4	4.06	0.62	0.83	1.00				
	1920	53.1	2.81	0.63	0.82	0.99	49.2	3.17	0.64	0.84	1.00	45.1	3.59	0.65	0.87	1.00	40.8	4.08	0.67	0.91	1.00				
71°F	1280	51.4	2.8	0.41	0.54	0.67	47.8	3.16	0.40	0.55	0.68	44	3.58	0.39	0.55	0.70	40	4.07	0.38	0.56	0.72				
	1600	54.2	2.81	0.43	0.59	0.74	50.2	3.17	0.42	0.59	0.75	46.3	3.59	0.42	0.60	0.78	42	4.09	0.41	0.61	0.81				
	1920	56.1	2.83	0.45	0.63	0.80	52.1	3.19	0.45	0.64	0.82	47.6	3.6	0.44	0.65	0.85	43.3	4.1	0.44	0.67	0.89				

4 TON HEATING HIGH EFFICIENCY KDB048H4

Indoor Coil Air Volume 70°F Dry Bulb cfm	Air Temperature Entering Outdoor Coil									
	65°F		45°F		25°F		5°F		-15°F	
	Total Heating Capacity	Comp. Motor Input	Total Heating Capacity	Comp. Motor Input	Total Heating Capacity	Comp. Motor Input	Total Heating Capacity	Comp. Motor Input	Total Heating Capacity	Comp. Motor Input
	kBtuh	kW	kBtuh	kW	kBtuh	kW	kBtuh	kW	kBtuh	kW
1280	57.0	3.22	42.5	2.99	27.4	2.76	17.6	2.43	8.8	1.83
1600	58.0	3.01	43.5	2.79	28.4	2.56	18.6	2.23	9.8	1.63
1920	58.8	2.89	44.3	2.67	29.2	2.44	19.4	2.11	10.6	1.51

COOLING / HEATING RATINGS

NOTE - For Temperatures and Capacities not shown in tables, see bulletin - Cooling Unit Rating Table Correction Factor Data in Miscellaneous Engineering Data section.

5 TON COOLING HIGH EFFICIENCY KDB060H4 (1ST STAGE)

Entering Wet Bulb Temperature	Total Air Volume	Outdoor Air Temperature Entering Outdoor Coil																			
		65°F					75°F					85°F					95°F				
		Total Cool Cap.	Comp. Motor Input	Sensible To Total Ratio (S/T)			Total Cool Cap.	Comp. Motor Input	Sensible To Total Ratio (S/T)			Total Cool Cap.	Comp. Motor Input	Sensible To Total Ratio (S/T)			Total Cool Cap.	Comp. Motor Input	Sensible To Total Ratio (S/T)		
				Dry Bulb					Dry Bulb					Dry Bulb					Dry Bulb		
cfm	kBtuh	kW	75°F	80°F	85°F	kBtuh	kW	75°F	80°F	85°F	kBtuh	kW	75°F	80°F	85°F	kBtuh	kW	75°F	80°F	85°F	
63°F	1080	46.1	1.83	0.70	0.82	0.95	44.4	2.14	0.70	0.83	0.97	42.4	2.48	0.72	0.86	0.99	40.1	2.87	0.74	0.89	1.00
	1350	48.7	1.81	0.74	0.89	1.00	46.9	2.12	0.75	0.91	1.00	44.8	2.47	0.77	0.94	1.00	42.3	2.86	0.80	0.97	1.00
	1620	50.8	1.80	0.79	0.96	1.00	48.9	2.11	0.80	0.98	1.00	46.6	2.45	0.82	1.00	1.00	44.3	2.84	0.86	1.00	1.00
67°F	1080	49.0	1.81	0.55	0.67	0.78	47.3	2.12	0.56	0.68	0.80	45.1	2.46	0.57	0.69	0.82	42.8	2.85	0.59	0.71	0.84
	1350	51.8	1.79	0.58	0.72	0.85	49.8	2.10	0.59	0.73	0.87	47.6	2.45	0.60	0.75	0.90	45.0	2.84	0.62	0.77	0.93
	1620	53.9	1.78	0.61	0.76	0.92	51.8	2.09	0.62	0.78	0.94	49.2	2.44	0.63	0.80	0.97	46.5	2.83	0.65	0.83	1.00
71°F	1080	52.1	1.79	0.43	0.53	0.64	50.3	2.10	0.43	0.54	0.65	48.1	2.45	0.43	0.55	0.67	45.6	2.84	0.44	0.57	0.68
	1350	55.0	1.77	0.44	0.57	0.69	52.9	2.08	0.44	0.57	0.70	50.5	2.43	0.45	0.58	0.72	47.7	2.82	0.46	0.60	0.74
	1620	57.1	1.76	0.45	0.60	0.74	54.9	2.07	0.46	0.61	0.75	52.3	2.42	0.46	0.62	0.77	49.3	2.82	0.47	0.63	0.80

5 TON COOLING HIGH EFFICIENCY KDB060H4 (2ND STAGE)

Entering Wet Bulb Temperature	Total Air Volume	Outdoor Air Temperature Entering Outdoor Coil																			
		85°F					95°F					105°F					115°F				
		Total Cool Cap.	Comp. Motor Input	Sensible To Total Ratio (S/T)			Total Cool Cap.	Comp. Motor Input	Sensible To Total Ratio (S/T)			Total Cool Cap.	Comp. Motor Input	Sensible To Total Ratio (S/T)			Total Cool Cap.	Comp. Motor Input	Sensible To Total Ratio (S/T)		
				Dry Bulb					Dry Bulb					Dry Bulb					Dry Bulb		
cfm	kBtuh	kW	75°F	80°F	85°F	kBtuh	kW	75°F	80°F	85°F	kBtuh	kW	75°F	80°F	85°F	kBtuh	kW	75°F	80°F	85°F	
63°F	1600	58.5	3.50	0.71	0.86	1.00	54.4	3.93	0.71	0.88	1.00	50.0	4.41	0.73	0.91	1.00	45.4	4.98	0.75	0.95	1.00
	2000	62.0	3.53	0.76	0.95	1.00	57.9	3.96	0.79	0.98	1.00	53.4	4.45	0.81	1.00	1.00	49.0	5.02	0.84	1.00	1.00
	2400	65.2	3.56	0.83	1.00	1.00	61.2	3.99	0.85	1.00	1.00	56.9	4.49	0.88	1.00	1.00	52.3	5.06	0.92	1.00	1.00
67°F	1600	62.9	3.54	0.55	0.68	0.82	58.6	3.97	0.54	0.69	0.84	54.2	4.46	0.55	0.71	0.87	49.1	5.02	0.55	0.73	0.91
	2000	66.4	3.57	0.58	0.74	0.91	61.9	4.00	0.59	0.76	0.94	57.2	4.49	0.60	0.78	0.98	51.9	5.05	0.60	0.81	1.00
	2400	69.1	3.60	0.62	0.81	0.99	64.4	4.02	0.63	0.83	1.00	59.3	4.51	0.63	0.85	1.00	54.0	5.08	0.65	0.90	1.00
71°F	1600	67.5	3.58	0.40	0.53	0.66	63.2	4.01	0.40	0.53	0.67	58.5	4.50	0.39	0.54	0.68	53.3	5.06	0.38	0.54	0.70
	2000	71.1	3.61	0.42	0.57	0.72	66.6	4.04	0.42	0.58	0.73	61.5	4.53	0.41	0.59	0.76	56.2	5.10	0.40	0.60	0.79
	2400	73.8	3.64	0.44	0.61	0.78	68.9	4.06	0.44	0.62	0.80	63.6	4.56	0.43	0.64	0.83	58.1	5.13	0.43	0.64	0.87

5 TON HEATING HIGH EFFICIENCY KDB060H4

Indoor Coil Air Volume 70°F Dry Bulb cfm	Air Temperature Entering Outdoor Coil									
	65°F		45°F		25°F		5°F		-15°F	
	Total Heating Capacity	Comp. Motor Input	Total Heating Capacity	Comp. Motor Input	Total Heating Capacity	Comp. Motor Input	Total Heating Capacity	Comp. Motor Input	Total Heating Capacity	Comp. Motor Input
1600	72.6	4.07	55.2	3.81	37.4	3.55	23.1	3.17	11.6	2.38
2000	73.8	3.81	56.4	3.55	38.6	3.29	24.3	2.91	12.8	2.12
2400	74.8	3.64	57.3	3.39	39.5	3.13	25.2	2.75	13.7	1.96

BLOWER DATA - DIRECT DRIVE - HIGH EFFICIENCY**2 TON****BLOWER TABLE INCLUDES RESISTANCE FOR BASE UNIT ONLY WITH DRY INDOOR COIL AND AIR FILTERS IN PLACE.**

FOR ALL UNITS ADD:

1 - Any factory installed options air resistance (economizer, wet coil, etc.) See page 30.

2 - Any field installed accessories air resistance (electric heat, duct resistance, diffuser, etc.) See page 30.

External Static Pressure in. w.g.	Air Volume at Specific Blower Taps (cfm)				
	Tap 1	Tap 2	Tap 3	Tap 4	Tap 5
DOWNFLOW					KDB024H4E
0.0	635	728	918	1121	1336
0.1	547	689	861	1071	1290
0.2	433	607	806	1031	1253
0.3	371	528	749	986	1212
0.4	280	460	677	927	1166
0.5	217	380	605	868	1120
0.6	---	---	548	819	1071
0.7	---	---	491	773	1029
0.8	---	---	442	714	983
0.9	---	---	393	653	929
1.0	---	---	---	604	879
HORIZONTAL					KDB024H4E
0.0	602	715	908	1096	1302
0.1	509	663	852	1057	1263
0.2	413	588	793	1007	1227
0.3	340	507	736	964	1189
0.4	266	438	679	918	1142
0.5	220	355	620	864	1100
0.6	---	---	560	809	1061
0.7	---	---	500	752	1015
0.8	---	---	444	706	964
0.9	---	---	390	661	913
1.0	---	---	352	612	872

BLOWER DATA - DIRECT DRIVE - HIGH EFFICIENCY**3 TON****BLOWER TABLE INCLUDES RESISTANCE FOR BASE UNIT ONLY WITH DRY INDOOR COIL AND AIR FILTERS IN PLACE.**

FOR ALL UNITS ADD:

1 - Any factory installed options air resistance (economizer, wet coil, etc.) See page 30.

2 - Any field installed accessories air resistance (electric heat, duct resistance, diffuser, etc.) See page 30.

External Static Pressure in. w.g.	Air Volume at Specific Blower Taps (cfm)				
	Tap 1	Tap 2	Tap 3	Tap 4	Tap 5
DOWNFLOW	KDB036H4E				
0.0	893	1035	1375	1600	1840
0.1	838	965	1330	1574	1780
0.2	768	895	1277	1543	1748
0.3	705	800	1253	1505	1712
0.4	645	750	1200	1473	1677
0.5	575	690	1150	1435	1638
0.6	---	---	1095	1390	1608
0.7	---	---	1052	1345	1577
0.8	---	---	1004	1302	1528
0.9	---	---	950	1260	1491
1.0	---	---	900	1218	1455
HORIZONTAL	KDB036H4E				
0.0	900	1045	1379	1599	1810
0.1	828	970	1305	1549	1749
0.2	777	900	1264	1504	1718
0.3	702	800	1216	1479	1677
0.4	635	750	1173	1434	1649
0.5	553	685	1131	1399	1622
0.6	---	---	1078	1359	1577
0.7	---	---	1038	1315	1544
0.8	---	---	986	1280	1509
0.9	---	---	933	1236	1471
1.0	---	---	885	1196	1438

BLOWER DATA - DIRECT DRIVE - HIGH EFFICIENCY**4 TON****BLOWER TABLE INCLUDES RESISTANCE FOR BASE UNIT ONLY WITH DRY INDOOR COIL AND AIR FILTERS IN PLACE.**

FOR ALL UNITS ADD:

1 - Any factory installed options air resistance (economizer, wet coil, etc.) See page 30.

2 - Any field installed accessories air resistance (electric heat, duct resistance, diffuser, etc.) See page 30.

External Static Pressure in. w.g.	Air Volume at Specific Blower Taps (cfm)				
	Tap 1	Tap 2	Tap 3	Tap 4	Tap 5
DOWNFLOW					KDB048H4E
0.0	1225	1310	1561	2015	2168
0.1	1167	1254	1514	1995	2143
0.2	1112	1203	1473	1977	2126
0.3	1052	1145	1424	1942	2097
0.4	1000	1098	1387	1917	2078
0.5	939	1040	1343	1888	2049
0.6	894	996	1300	1854	2020
0.7	840	941	1250	1819	1991
0.8	780	883	1201	1787	1952
0.9	734	839	1159	1749	1914
1.0	681	784	1115	1704	1856
HORIZONTAL					KDB048H4E
0.0	1185	1265	1504	1983	2120
0.1	1130	1213	1467	1957	2098
0.2	1085	1171	1432	1932	2077
0.3	1035	1125	1395	1906	2054
0.4	978	1069	1347	1870	2023
0.5	929	1023	1304	1841	1992
0.6	880	977	1267	1811	1962
0.7	822	920	1224	1776	1931
0.8	764	863	1175	1740	1900
0.9	718	820	1133	1710	1869
1.0	549	712	1096	1652	1772

BLOWER DATA - DIRECT DRIVE - HIGH EFFICIENCY**5 TON****BLOWER TABLE INCLUDES RESISTANCE FOR BASE UNIT ONLY WITH DRY INDOOR COIL AND AIR FILTERS IN PLACE.**

FOR ALL UNITS ADD:

1 - Any factory installed options air resistance (economizer, wet coil, etc.) See page 30.

2 - Any field installed accessories air resistance (electric heat, duct resistance, diffuser, etc.) See page 30.

External Static Pressure in. w.g.	Air Volume at Specific Blower Taps (cfm)					
	Tap 1	Tap 2	Tap 3	Tap 4	Tap 5	
DOWNFLOW						KDB060H4E
0.0	1351	1405	1801	1982	2339	
0.1	1303	1359	1769	1956	2310	
0.2	1254	1314	1736	1928	2281	
0.3	1206	1268	1703	1900	2253	
0.4	1158	1222	1669	1870	2224	
0.5	1109	1177	1634	1838	2195	
0.6	1061	1131	1598	1806	2166	
0.7	1012	1085	1561	1772	2137	
0.8	964	1040	1524	1736	2108	
0.9	915	994	1486	1700	2080	
1.0	867	949	1446	1662	2051	
HORIZONTAL						KDB60H4E
0.0	1329	1353	1728	1886	2206	
0.1	1284	1320	1708	1872	2189	
0.2	1239	1285	1685	1859	2174	
0.3	1193	1258	1661	1832	2157	
0.4	1147	1218	1636	1814	2135	
0.5	1100	1178	1608	1796	2118	
0.6	1052	1125	1579	1770	2102	
0.7	1004	1085	1548	1743	2080	
0.8	955	1044	1516	1716	2058	
0.9	906	991	1481	1689	2036	
1.0	856	938	1445	1654	2020	

BLOWER DATA - BELT DRIVE

3 TON

BLOWER TABLE INCLUDES RESISTANCE FOR BASE UNIT ONLY WITH DRY INDOOR COIL AND AIR FILTERS IN PLACE.

FOR ALL UNITS ADD:

1 - Any factory installed options air resistance (larger gas heat section, economizer, wet coil, etc.).

2 - Any field installed accessories air resistance (duct resistance, diffuser, etc.).

See page 30 for blower motors and drives and page 30 for wet coil and options/accessory air resistance data.

DOWNFLOW

KDB036H4T

Air Volume cfm	External Static - in. w.g.															
	0.10		0.20		0.30		0.40		0.50		0.60		0.70		0.80	
	RPM	BHP	RPM	BHP	RPM	BHP	RPM	BHP	RPM	BHP	RPM	BHP	RPM	BHP	RPM	BHP
700	447	0.09	517	0.12	589	0.15	663	0.17	739	0.19	815	0.20	883	0.23	938	0.25
800	465	0.10	534	0.14	605	0.17	678	0.19	753	0.21	825	0.23	890	0.25	946	0.27
900	486	0.12	554	0.16	623	0.20	695	0.22	767	0.23	836	0.25	897	0.28	953	0.30
1000	508	0.15	576	0.19	643	0.22	713	0.24	783	0.26	848	0.28	907	0.30	961	0.33
1100	533	0.18	599	0.22	665	0.25	733	0.27	800	0.28	863	0.31	919	0.34	971	0.36
1200	560	0.21	625	0.25	689	0.28	755	0.30	820	0.32	879	0.34	932	0.37	983	0.40
1300	591	0.24	654	0.28	716	0.31	779	0.33	841	0.35	897	0.38	948	0.41	996	0.44
1400	631	0.26	690	0.30	748	0.34	807	0.36	864	0.39	916	0.42	964	0.46	1011	0.49
1500	676	0.28	729	0.33	782	0.36	835	0.40	887	0.43	935	0.47	981	0.50	1028	0.54

Air Volume cfm	External Static - in. w.g.															
	0.90		1.00		1.10		1.20		1.30		1.40		1.50		1.60	
	RPM	BHP	RPM	BHP	RPM	BHP	RPM	BHP	RPM	BHP	RPM	BHP	RPM	BHP	RPM	BHP
700	988	0.27	1039	0.29	1088	0.31	---	---	---	---	---	---	---	---	---	---
800	996	0.30	1047	0.32	1098	0.34	1144	0.36	1185	0.39	1224	0.42	---	---	---	---
900	1004	0.33	1055	0.35	1106	0.37	1152	0.40	1193	0.43	1232	0.46	1269	0.49	1305	0.52
1000	1011	0.36	1062	0.38	1111	0.41	1157	0.43	1199	0.47	1238	0.50	1276	0.53	1311	0.56
1100	1020	0.39	1070	0.41	1118	0.44	1163	0.47	1206	0.51	1245	0.54	1282	0.58	1318	0.61
1200	1031	0.43	1079	0.45	1127	0.48	1171	0.52	1213	0.55	1252	0.59	1289	0.62	1324	0.66
1300	1044	0.47	1091	0.49	1137	0.53	1181	0.56	1221	0.60	1259	0.64	1296	0.68	1330	0.71
1400	1058	0.51	1105	0.54	1150	0.57	1191	0.61	1231	0.65	1268	0.69	1303	0.73	1337	0.77
1500	1074	0.56	1120	0.59	1163	0.63	1203	0.67	1241	0.71	1277	0.75	1312	0.79	1345	0.82

BLOWER DATA - BELT DRIVE

3 TON

BLOWER TABLE INCLUDES RESISTANCE FOR BASE UNIT ONLY WITH DRY INDOOR COIL AND AIR FILTERS IN PLACE.

FOR ALL UNITS ADD:

1 - Any factory installed options air resistance (larger gas heat section, economizer, wet coil, etc.).

2 - Any field installed accessories air resistance (duct resistance, diffuser, etc.).

See page 30 for blower motors and drives and page 30 for wet coil and options/accessory air resistance data.

HORIZONTAL

KDB036H4T

Air Volume cfm	External Static - in. w.g.															
	0.10		0.20		0.30		0.40		0.50		0.60		0.70		0.80	
	RPM	BHP	RPM	BHP	RPM	BHP	RPM	BHP	RPM	BHP	RPM	BHP	RPM	BHP	RPM	BHP
700	445	0.08	516	0.11	591	0.13	670	0.15	753	0.16	820	0.19	870	0.22	918	0.24
800	463	0.09	534	0.12	608	0.14	685	0.16	766	0.18	830	0.21	878	0.24	926	0.27
900	485	0.11	554	0.14	627	0.16	703	0.18	780	0.21	841	0.23	888	0.27	935	0.30
1000	509	0.13	578	0.16	649	0.19	722	0.21	796	0.23	854	0.26	900	0.29	947	0.33
1100	537	0.16	605	0.19	674	0.21	744	0.24	813	0.26	868	0.29	913	0.33	959	0.36
1200	567	0.19	633	0.22	700	0.24	768	0.27	833	0.30	884	0.33	928	0.37	974	0.40
1300	599	0.22	664	0.25	729	0.28	793	0.30	853	0.33	902	0.37	945	0.41	990	0.44
1400	634	0.26	697	0.29	758	0.31	819	0.34	875	0.38	921	0.42	964	0.46	1008	0.49
1500	669	0.30	730	0.33	789	0.36	846	0.39	897	0.42	941	0.47	983	0.51	1028	0.54

Air Volume cfm	External Static - in. w.g.															
	0.90		1.00		1.10		1.20		1.30		1.40		1.50		1.60	
	RPM	BHP	RPM	BHP	RPM	BHP	RPM	BHP	RPM	BHP	RPM	BHP	RPM	BHP	RPM	BHP
700	969	0.27	1021	0.29	1071	0.32	---	---	---	---	---	---	---	---	---	---
800	977	0.29	1030	0.32	1082	0.34	1128	0.37	1169	0.40	1205	0.42	---	---	---	---
900	986	0.32	1039	0.35	1090	0.37	1137	0.40	1177	0.43	1214	0.46	1248	0.49	1280	0.51
1000	997	0.35	1048	0.38	1098	0.41	114	0.44	1184	0.47	1221	0.50	1255	0.53	1287	0.56
1100	1008	0.39	1059	0.41	1107	0.44	1150	0.47	1191	0.51	1228	0.54	1263	0.57	1295	0.60
1200	1022	0.43	1071	0.45	1117	0.48	1160	0.52	1200	0.55	1237	0.59	1271	0.62	1303	0.66
1300	1037	0.47	1058	0.50	1130	0.53	1171	0.57	1210	0.60	1246	0.64	1280	0.68	1312	0.71
1400	1054	0.52	1100	0.54	1144	0.58	1183	0.62	1221	0.66	1256	0.70	1290	0.73	1321	0.77
1500	1073	0.57	1117	0.60	1159	0.64	1197	0.67	1234	0.71	1268	0.75	1301	0.79	1332	0.83

BLOWER DATA - BELT DRIVE

4 TON

BLOWER TABLE INCLUDES RESISTANCE FOR BASE UNIT ONLY WITH DRY INDOOR COIL AND AIR FILTERS IN PLACE.

FOR ALL UNITS ADD:

1 - Any factory installed options air resistance (larger gas heat section, economizer, wet coil, etc.).

2 - Any field installed accessories air resistance (duct resistance, diffuser, etc.).

See page 30 for blower motors and drives and page 30 for wet coil and options/accessory air resistance data.

DOWNFLOW

KDB048H4T

Air Volume cfm	External Static - in. w.g.															
	0.10		0.20		0.30		0.40		0.50		0.60		0.70		0.80	
	RPM	BHP	RPM	BHP	RPM	BHP	RPM	BHP	RPM	BHP	RPM	BHP	RPM	BHP	RPM	BHP
900	466	0.10	525	0.14	586	0.17	646	0.20	729	0.20	821	0.19	899	0.20	953	0.23
1000	484	0.12	543	0.16	603	0.19	664	0.22	745	0.23	834	0.23	908	0.24	959	0.26
1100	505	0.15	563	0.18	622	0.22	682	0.25	762	0.26	847	0.26	917	0.27	966	0.30
1200	527	0.18	584	0.21	643	0.25	702	0.28	779	0.30	860	0.30	927	0.31	973	0.34
1300	550	0.21	607	0.25	664	0.29	722	0.32	797	0.33	875	0.34	937	0.35	981	0.38
1400	574	0.25	630	0.29	687	0.32	744	0.35	817	0.37	890	0.38	949	0.39	991	0.42
1500	603	0.28	659	0.32	714	0.36	770	0.39	839	0.41	907	0.42	962	0.44	1002	0.47
1600	651	0.29	703	0.33	754	0.37	806	0.41	867	0.43	927	0.45	976	0.48	1014	0.51
1700	708	0.30	754	0.34	800	0.38	846	0.42	898	0.46	949	0.49	992	0.53	1028	0.57
1800	764	0.31	804	0.36	844	0.40	884	0.45	927	0.49	970	0.54	1008	0.58	1044	0.63
1900	812	0.34	847	0.39	881	0.44	916	0.49	953	0.54	990	0.59	1025	0.64	1061	0.69
2000	857	0.42	889	0.47	920	0.52	952	0.57	986	0.62	1020	0.68	1055	0.73	1091	0.77

Air Volume cfm	External Static - in. w.g.															
	0.90		1.00		1.10		1.20		1.30		1.40		1.50		1.60	
	RPM	BHP	RPM	BHP	RPM	BHP	RPM	BHP	RPM	BHP	RPM	BHP	RPM	BHP	RPM	BHP
900	---	---	---	---	---	---	---	---	---	---	---	---	---	---	---	---
1000	996	0.31	1034	0.35	---	---	---	---	---	---	---	---	---	---	---	---
1100	1001	0.34	1040	0.38	1083	0.42	1128	0.46	1176	0.49	---	---	---	---	---	---
1200	1008	0.38	1047	0.42	1089	0.46	1133	0.49	1180	0.53	1224	0.56	1261	0.60	---	---
1300	1017	0.42	1055	0.46	1097	0.50	1139	0.53	1184	0.57	1228	0.60	1264	0.63	1295	0.67
1400	1026	0.46	1065	0.50	1106	0.54	1147	0.57	1191	0.61	1233	0.64	1269	0.68	1300	0.71
1500	1038	0.51	1076	0.55	1117	0.59	1157	0.62	1199	0.65	1240	0.69	1275	0.72	1305	0.76
1600	1050	0.56	1089	0.60	1129	0.64	1168	0.67	1209	0.71	1249	0.74	1282	0.78	1312	0.82
1700	1065	0.61	1103	0.65	1142	0.69	1181	0.73	1221	0.76	1259	0.80	1292	0.83	1320	0.88
1800	1081	0.67	1118	0.71	1156	0.75	1194	0.79	1234	0.82	1271	0.86	1302	0.90	1330	0.94
1900	1098	0.73	1135	0.77	1172	0.81	1209	0.85	1248	0.88	1284	0.92	1314	0.97	1341	1.01
2000	1128	0.82	1164	0.86	1201	0.89	1239	0.93	1276	0.97	1310	1.01	1336	1.06	1362	1.10

BLOWER DATA - BELT DRIVE

4 TON

BLOWER TABLE INCLUDES RESISTANCE FOR BASE UNIT ONLY WITH DRY INDOOR COIL AND AIR FILTERS IN PLACE.

FOR ALL UNITS ADD:

1 - Any factory installed options air resistance (larger gas heat section, economizer, wet coil, etc.).

2 - Any field installed accessories air resistance (duct resistance, diffuser, etc.).

See page 30 for blower motors and drives and page 30 for wet coil and options/accessory air resistance data.

HORIZONTAL

KDB048H4T

Air Volume cfm	External Static - in. w.g.															
	0.10		0.20		0.30		0.40		0.50		0.60		0.70		0.80	
	RPM	BHP	RPM	BHP	RPM	BHP	RPM	BHP	RPM	BHP	RPM	BHP	RPM	BHP	RPM	BHP
900	464	0.10	514	0.13	576	0.15	644	0.17	728	0.18	817	0.19	893	0.21	951	0.24
1000	482	0.12	533	0.15	595	0.17	662	0.19	744	0.21	829	0.22	902	0.24	957	0.27
1100	504	0.14	556	0.17	617	0.20	683	0.22	762	0.24	843	0.25	912	0.28	965	0.31
1200	528	0.17	581	0.20	641	0.23	706	0.25	782	0.27	859	0.29	924	0.31	974	0.34
1300	556	0.21	609	0.24	669	0.26	731	0.29	804	0.31	877	0.33	938	0.35	985	0.38
1400	592	0.24	645	0.27	702	0.30	763	0.32	830	0.35	898	0.37	953	0.39	997	0.43
1500	641	0.26	692	0.29	746	0.33	801	0.36	862	0.38	921	0.41	970	0.44	1011	0.48
1600	696	0.28	743	0.32	792	0.35	842	0.39	894	0.42	945	0.45	988	0.49	1027	0.53
1700	750	0.31	792	0.35	836	0.39	880	0.43	924	0.47	968	0.51	1007	0.55	1043	0.59
1800	799	0.35	837	0.39	875	0.43	913	0.48	952	0.52	990	0.56	1026	0.61	1061	0.65
1900	840	0.40	873	0.45	907	0.49	941	0.54	976	0.58	1011	0.63	1045	0.67	1080	0.72
2000	883	0.48	913	0.53	944	0.57	976	0.62	1009	0.67	1043	0.71	1078	0.76	1112	0.8

Air Volume cfm	External Static - in. w.g.															
	0.90		1.00		1.10		1.20		1.30		1.40		1.50		1.60	
	RPM	BHP	RPM	BHP	RPM	BHP	RPM	BHP	RPM	BHP	RPM	BHP	RPM	BHP	RPM	BHP
900	995	0.28	1034	0.31	1077	0.35	1121	0.38	---	---	---	---	---	---	---	---
1000	999	0.31	1038	0.34	1081	0.38	1124	0.41	1168	0.44	1211	0.47	---	---	---	---
1100	1006	0.34	1044	0.38	1086	0.41	1129	0.44	1171	0.47	1213	0.50	1253	0.53	1293	0.56
1200	1014	0.38	1052	0.42	1093	0.45	1135	0.48	1176	0.51	1217	0.54	1257	0.58	1296	0.61
1300	1023	0.42	1061	0.46	1102	0.50	1143	0.53	1184	0.56	1224	0.59	1263	0.62	1302	0.66
1400	1035	0.47	1073	0.51	1112	0.54	1153	0.57	1193	0.61	1232	0.64	1271	0.67	1309	0.71
1500	1048	0.52	1086	0.56	1125	0.59	1164	0.63	1204	0.66	1243	0.69	1280	0.73	1317	0.77
1600	1063	0.57	1100	0.61	1139	0.65	1178	0.68	1216	0.71	1254	0.75	1291	0.79	1326	0.83
1700	1079	0.63	1116	0.67	1154	0.71	1192	0.74	1230	0.78	1267	0.81	1302	0.85	1337	0.89
1800	1097	0.69	1133	0.73	1171	0.77	1209	0.80	1246	0.84	1281	0.88	1315	0.92	1349	0.96
1900	1116	0.76	1152	0.80	1189	0.84	1226	0.87	1262	0.91	1296	0.95	1329	0.99	1361	1.03
2000	1148	0.84	1183	0.88	1220	0.92	1257	0.96	1291	1.00	1323	1.04	1354	1.08	1385	1.12

BLOWER DATA - BELT DRIVE

5 TON

BLOWER TABLE INCLUDES RESISTANCE FOR BASE UNIT ONLY WITH DRY INDOOR COIL AND AIR FILTERS IN PLACE.

FOR ALL UNITS ADD:

1 - Any factory installed options air resistance (larger gas heat section, economizer, wet coil, etc.).

2 - Any field installed accessories air resistance (duct resistance, diffuser, etc.).

See page 30 for blower motors and drives and page 30 for wet coil and options/accessory air resistance data.

DOWNFLOW

KDB060H4T

Air Volume cfm	External Static - in. w.g.															
	0.10		0.20		0.30		0.40		0.50		0.60		0.70		0.80	
	RPM	BHP	RPM	BHP	RPM	BHP	RPM	BHP	RPM	BHP	RPM	BHP	RPM	BHP	RPM	BHP
1100	512	0.15	571	0.19	630	0.23	690	0.26	770	0.26	854	0.26	922	0.27	970	0.30
1200	535	0.18	593	0.22	651	0.26	710	0.30	788	0.30	868	0.30	933	0.31	978	0.34
1300	559	0.22	616	0.26	674	0.29	732	0.34	807	0.34	883	0.34	944	0.35	987	0.38
1400	584	0.26	641	0.29	698	0.33	755	0.37	827	0.37	899	0.38	956	0.40	997	0.43
1500	615	0.29	671	0.33	726	0.36	782	0.41	850	0.41	917	0.42	970	0.44	1009	0.47
1600	665	0.30	716	0.34	768	0.38	819	0.44	879	0.44	937	0.46	985	0.49	1022	0.52
1700	723	0.31	768	0.35	814	0.39	860	0.47	910	0.47	959	0.50	1001	0.54	1037	0.58
1800	779	0.32	818	0.37	857	0.41	897	0.50	939	0.50	980	0.55	1018	0.59	1054	0.64
1900	826	0.36	859	0.41	894	0.45	928	0.56	964	0.56	1000	0.61	1036	0.66	1072	0.70
2000	857	0.42	889	0.47	920	0.52	952	0.62	986	0.62	1020	0.68	1055	0.73	1091	0.77
2100	878	0.49	909	0.54	940	0.59	973	0.70	1006	0.70	1041	0.75	1076	0.80	1112	0.85
2200	897	0.55	929	0.61	961	0.66	994	0.78	1028	0.78	1063	0.83	1099	0.89	1134	0.93
2300	918	0.62	950	0.68	983	0.74	1017	0.86	1052	0.86	1087	0.92	1122	0.97	1157	1.02
2400	941	0.70	974	0.77	1008	0.83	1042	0.96	1077	0.96	1111	1.01	1146	1.06	1181	1.11

Air Volume cfm	External Static - in. w.g.															
	0.90		1.00		1.10		1.20		1.30		1.40		1.50		1.60	
	RPM	BHP	RPM	BHP	RPM	BHP	RPM	BHP	RPM	BHP	RPM	BHP	RPM	BHP	RPM	BHP
1100	1006	0.35	1045	0.39	1089	0.43	1134	0.46	---	---	---	---	---	---	---	---
1200	1013	0.38	1053	0.42	1095	0.46	1139	0.50	1186	0.53	1230	0.57	1266	0.60	---	---
1300	1022	0.42	1062	0.46	1104	0.50	1146	0.54	1192	0.57	1234	0.60	1269	0.64	1301	0.68
1400	1033	0.47	1072	0.51	1114	0.55	1155	0.58	1199	0.61	1240	0.65	1275	0.68	1305	0.72
1500	1045	0.52	1085	0.56	1125	0.60	1165	0.63	1208	0.66	1248	0.69	1281	0.73	1311	0.77
1600	1059	0.57	1098	0.61	1138	0.65	1177	0.68	1218	0.71	1257	0.75	1290	0.79	1319	0.83
1700	1074	0.62	1113	0.66	1152	0.70	1190	0.74	1231	0.77	1268	0.80	1299	0.84	1328	0.89
1800	1091	0.68	1129	0.72	1167	0.76	1205	0.80	1244	0.83	1280	0.87	1310	0.91	1338	0.95
1900	1109	0.75	1146	0.79	1183	0.82	1221	0.86	1260	0.90	1294	0.94	1323	0.98	1349	1.02
2000	1128	0.82	1164	0.86	1201	0.89	1239	0.93	1276	0.97	1310	1.01	1336	1.06	1362	1.10
2100	1148	0.89	1185	0.93	1221	0.97	1258	1.01	1294	1.05	1325	1.09	1351	1.14	1376	1.19
2200	1170	0.97	1206	1.01	1242	1.05	1277	1.09	1311	1.14	1341	1.18	1365	1.23	1390	1.28
2300	1193	1.06	1228	1.09	1262	1.14	1295	1.19	1327	1.24	1355	1.29	1380	1.33	1406	1.37
2400	1216	1.15	1250	1.19	1282	1.24	1313	1.30	1343	1.36	1371	1.40	1396	1.44	1423	1.48

BLOWER DATA - BELT DRIVE

5 TON

BLOWER TABLE INCLUDES RESISTANCE FOR BASE UNIT ONLY WITH DRY INDOOR COIL AND AIR FILTERS IN PLACE.

FOR ALL UNITS ADD:

1 - Any factory installed options air resistance (larger gas heat section, economizer, wet coil, etc.).

2 - Any field installed accessories air resistance (duct resistance, diffuser, etc.).

See page 30 for blower motors and drives and page 30 for wet coil and options/accessory air resistance data.

HORIZONTAL

KDB060H4T

Air Volume cfm	External Static - in. w.g.															
	0.10		0.20		0.30		0.40		0.50		0.60		0.70		0.80	
	RPM	BHP	RPM	BHP	RPM	BHP	RPM	BHP	RPM	BHP	RPM	BHP	RPM	BHP	RPM	BHP
1100	509	0.15	562	0.18	624	0.20	691	0.22	771	0.24	852	0.25	919	0.28	970	0.31
1200	535	0.18	589	0.21	650	0.23	715	0.25	792	0.27	869	0.29	932	0.32	980	0.35
1300	564	0.21	618	0.24	678	0.27	741	0.29	815	0.31	887	0.33	946	0.36	991	0.39
1400	604	0.24	657	0.27	715	0.30	775	0.33	842	0.35	908	0.37	962	0.40	1004	0.43
1500	656	0.26	706	0.30	760	0.33	814	0.36	874	0.39	931	0.41	979	0.45	1019	0.48
1600	712	0.29	758	0.32	807	0.36	855	0.39	906	0.43	955	0.46	997	0.50	1035	0.54
1700	766	0.32	808	0.36	850	0.40	892	0.44	936	0.47	978	0.51	1016	0.56	1052	0.60
1800	814	0.36	851	0.40	888	0.44	925	0.49	963	0.53	1000	0.57	1035	0.62	1071	0.66
1900	853	0.41	886	0.46	919	0.50	952	0.55	986	0.60	1021	0.64	1056	0.69	1091	0.73
2000	883	0.48	913	0.53	944	0.57	976	0.62	1009	0.67	1043	0.71	1078	0.76	1112	0.80
2100	906	0.56	936	0.60	967	0.65	999	0.70	1033	0.75	1067	0.79	1101	0.84	1135	0.88
2200	930	0.64	960	0.68	991	0.73	1024	0.78	1058	0.83	1092	0.88	1126	0.92	1160	0.96
2300	954	0.72	985	0.77	1017	0.82	1051	0.87	1085	0.92	1119	0.96	1152	1.00	1186	1.04
2400	981	0.81	1013	0.86	1046	0.91	1079	0.96	1113	1.00	1180	1.05	1180	1.09	1213	1.13

Air Volume cfm	External Static - in. w.g.															
	0.90		1.00		1.10		1.20		1.30		1.40		1.50		1.60	
	RPM	BHP	RPM	BHP	RPM	BHP	RPM	BHP	RPM	BHP	RPM	BHP	RPM	BHP	RPM	BHP
1100	1010	35.00	1049	0.38	1091	0.42	1134	0.45	1176	0.78	1218	0.51	1258	0.54	1297	0.57
1200	1019	0.38	1058	0.42	1099	0.46	1141	0.49	1182	0.52	1223	0.55	1263	0.58	1302	0.61
1300	1030	0.43	1068	0.47	1108	0.50	1149	0.53	1190	0.56	1230	0.59	1270	0.63	1308	0.66
1400	1042	0.47	1080	0.51	1120	0.55	1160	0.58	1200	0.61	1240	0.65	1278	0.68	1315	0.72
1500	1056	0.53	1094	0.57	1133	0.60	1172	0.63	1212	0.67	250	0.70	1288	0.74	1324	0.77
1600	1071	0.58	1109	0.62	1147	0.66	1186	0.69	1225	0.72	1263	0.76	1299	0.80	1334	0.83
1700	1088	0.64	1126	0.68	1164	0.72	1202	0.75	1240	0.78	1276	0.82	1311	0.86	1345	0.90
1800	1107	0.70	1143	0.74	1181	0.78	1219	0.81	1256	0.85	1290	0.89	1324	0.93	1357	0.97
1900	1126	0.77	1163	0.81	1200	0.85	1237	0.88	1273	0.92	1306	0.96	1339	1.00	1371	1.04
2000	1148	0.84	1183	0.88	1220	0.92	1257	0.96	1291	1.00	1323	1.04	1354	1.08	1385	1.12
2100	1170	0.92	1206	0.96	1242	1.00	1277	1.04	1310	1.08	1340	1.13	1370	1.17	1401	1.21
2200	1195	1.00	1230	1.04	1265	1.08	1299	1.13	1330	1.18	1359	1.23	1388	1.27	1418	1.31
2300	1220	1.08	1254	1.13	1288	1.17	1320	1.23	1350	1.28	1378	1.34	1406	1.38	1435	1.42
2400	1245	1.18	1278	1.22	1311	1.28	1341	1.33	1370	1.40	1397	1.45	1425	1.50	1454	1.54

BLOWER DATA

BELT DRIVE KIT SPECIFICATIONS

Model No.	Motor HP		No. of Speeds	Drive Kits and RPM Range					
	Nominal	Maximum		A01	A02	A03	A05	A06	A07
036	0.75	0.86	2	low 449-673 high 673-1010	---	---	---	---	---
	1	1.15	2	---	---	---	low 598-897 high 897-1346	---	---
048	0.75	0.86	2	---	low 497-673 high 745-1117	---	---	---	---
	2	2.3	2	---	---	---	---	low 714-953 high 1071-1429	---
060	1	1.15	2			low 555-833 high 833-1250			
	2	2.3	2						low 808-1032 high 1212-1548

NOTE - Using total air volume and system static pressure requirements determine from blower performance tables rpm and motor hp required. Maximum usable hp of motors furnished are shown. In Canada, nominal motor hp is also maximum usable motor hp. If motors of comparable hp are used, be sure to keep within the service factor limitations outlined on the motor nameplate.

OPTIONS / ACCESSORIES AIR RESISTANCE - in. w.g.

Air Volume cfm	Wet Indoor Coil		Gas Heat		Economizer	Filters	
	024 036, 048	060	Medium Input	High Input		MERV 8	MERV 13
800	0.01	0.01	0.02	0.02	0.04	0.04	0.05
1000	0.02	0.01	0.02	0.02	0.04	0.04	0.07
1200	0.02	0.01	0.02	0.02	0.04	0.04	0.07
1400	0.03	0.02	0.02	0.03	0.04	0.04	0.07
1600	0.04	0.03	0.03	0.04	0.04	0.04	0.07
1800	0.05	0.04	0.03	0.05	0.05	0.05	0.07
2000	0.06	0.05	0.04	0.06	0.05	0.05	0.08
2200	0.08	0.06	0.04	0.07	0.05	0.05	0.08
2400	0.09	0.07	0.05	0.08	0.05	0.05	0.08
2600	0.10	0.08	0.05	0.09	0.06	0.05	0.08
2800	0.11	0.09	0.06	0.10	0.06	0.05	0.08
3000	0.13	0.10	0.07	0.11	0.06	0.05	0.08

CEILING DIFFUSERS AIR RESISTANCE (in. w.g.)

Air Volume cfm	RTD9-65S Step-Down Diffuser			FD9-65S Flush Diffuser
	2 Ends Open	1 Side & 2 Ends Open	All Ends & Sides Open	
800	0.15	0.13	0.11	0.11
1000	0.19	0.16	0.14	0.14
1200	0.25	0.20	0.17	0.17
1400	0.33	0.26	0.20	0.20
1600	0.43	0.32	0.20	0.24
1800	0.56	0.40	0.30	0.30
2000	0.73	0.50	0.36	0.36
2200	0.95	0.63	0.44	0.44

CEILING DIFFUSER AIR THROW DATA

Air Volume - cfm Model No.	1 Effective Throw - ft.	
	RTD9-65S	FD9-65S
800	10 - 17	14 - 18
1000	10 - 17	15 - 20
1200	11 - 18	16 - 22
1400	12 - 19	17 - 24
1600	12 - 20	18 - 25
1800	13 - 21	20 - 28
2000	14 - 23	21 - 29
2200	16 - 25	22 - 30

POWER EXHAUST FAN PERFORMANCE

Return Air System Static Pressure - in. w.g.	Air Volume Exhausted cfm
0.00	2000
0.05	1990
0.10	1924
0.15	1810
0.20	1664
0.25	1507
0.30	1350
0.35	1210

¹ Effective throw based on terminal velocities of 75 ft. per minute.

ELECTRICAL DATA**2 - 3 TON**

DIRECT DRIVE BLOWER		KDB024H	KDB036H			
¹ Voltage - 60hz		208/230V - 1 Ph	208/230V - 1 Ph	208/230V - 3 Ph	460V - 3 Ph	575V - 3 Ph
Compressor 1	Rated Load Amps	11.7	15.3	11.6	5.7	4
	Locked Rotor Amps	58.3	83	73	38	25.6
Outdoor Fan Motors (1)	Full Load Amps (total)	2.8	2.8	2.8	1.4	1.1
Power Exhaust (1) 0.33 HP	Full Load Amps (total)	2.4	2.4	2.4	1.3	1
Service Outlet 115V GFI (amps)		15	15	15	15	20
Indoor Blower Motor	Horsepower	0.33	0.50	0.50	0.50	0.50
	Type	Direct	Direct	Direct	Direct	Direct
	Full Load Amps	2.6	4.6	4.6	2.3	1.8
² Maximum Overcurrent Protection	Unit Only	30	40	30	15	15
	with (1) 0.33 HP Power Exhaust	---	40	35	15	15
³ Minimum Circuit Ampacity	Unit Only	21	27	22	11	8
	with (1) 0.33 HP Power Exhaust	---	29	25	13	9

ELECTRICAL ACCESSORIES

Disconnect	Standard Access	20W15	20W15	20W15	20W15	20W15
	Hinged Access	20W21	20W21	20W21	20W21	20W21

NOTE - All units have a minimum Short Circuit Current Rating (SCCR) of 5000 amps.

¹ Extremes of operating range are plus and minus 10% of line voltage.² HACR type breaker or fuse.³ Refer to National or Canadian Electrical Code manual to determine wire, fuse and disconnect size requirements.**ELECTRICAL DATA****4 TON****DIRECT DRIVE BLOWER - KDB048H**

¹ Voltage - 60hz		208/230V - 1 Ph	208/230V - 3 Ph	460V - 3 Ph	575V - 3 Ph
Compressor	Rated Load Amps	21.2	14	6.4	4.6
	Locked Rotor Amps	104	83.1	41	33
Outdoor Fan Motors (1)	Full Load Amps (total)	2.8	2.8	1.4	1.1
Power Exhaust (1) 0.33 HP	Full Load Amps (total)	2.4	2.4	1.3	1
Service Outlet 115V GFI (amps)		15	15	15	20
Indoor Blower Motor	Horsepower	0.75	0.75	0.75	0.75
	Type	Direct	Direct	Direct	Direct
	Full Load Amps	6.3	6.3	3.2	2.5
² Maximum Overcurrent Protection	Unit Only	50	40	15	15
	with (1) 0.33 HP Power Exhaust	50	40	20	15
³ Minimum Circuit Ampacity	Unit Only	36	27	13	10
	with (1) 0.33 HP Power Exhaust	38	29	14	11

ELECTRICAL ACCESSORIES

Disconnect	Standard Access	20W18	20W18	20W18	20W18
	Hinged Access	20W24	20W24	20W24	20W24

NOTE - All units have a minimum Short Circuit Current Rating (SCCR) of 5000 amps.

¹ Extremes of operating range are plus and minus 10% of line voltage.² HACR type breaker or fuse.³ Refer to National or Canadian Electrical Code manual to determine wire, fuse and disconnect size requirements.

ELECTRICAL DATA**5 TON****DIRECT DRIVE BLOWER - KDB060H**

¹ Voltage - 60hz		208/230V - 1 Ph	208/230V - 3 Ph	460V - 3 Ph	575V - 3 Ph
Compressor	Rated Load Amps	27.1	16.5	7.2	5.5
	Locked Rotor Amps	152.9	110	52	38.9
Outdoor Fan Motors (1)	Full Load Amps (total)	2.8	2.8	1.4	1.1
Power Exhaust (1) 0.33 HP	Full Load Amps (total)	2.4	2.4	1.3	1
Service Outlet 115V GFI (amps)		15	15	15	20
Indoor Blower Motor	Horsepower	1	1	1	1
	Type	Direct	Direct	Direct	Direct
	Full Load Amps	7.4	7.4	3.7	3.0
² Maximum Overcurrent Protection	Unit Only	70	45	20	15
	with (1) 0.33 HP Power Exhaust	70	45	20	15
³ Minimum Circuit Ampacity	Unit Only	45	31	15	11
	with (1) 0.33 HP Power Exhaust	47	34	16	12

ELECTRICAL ACCESSORIES

Disconnect	Standard Access	20W18	20W18	20W18	20W18
	Hinged Access	20W24	20W24	20W24	20W24

NOTE - All units have a minimum Short Circuit Current Rating (SCCR) of 5000 amps.

¹ Extremes of operating range are plus and minus 10% of line voltage.² HACR type breaker or fuse.³ Refer to National or Canadian Electrical Code manual to determine wire, fuse and disconnect size requirements.**ELECTRICAL DATA****3 TON****BELT DRIVE BLOWER - KDB036H**

¹ Voltage - 60hz		208/230V - 3 Ph		460V - 3 Ph		575V - 3 Ph	
Compressor	Rated Load Amps	11.6		5.7		4	
	Locked Rotor Amps	73		38		25.6	
Outdoor Fan Motors (1)	Full Load Amps (total)	2.8		1.4		1.1	
Power Exhaust (1) 0.33 HP	Full Load Amps (total)	2.4		1.3		1	
Service Outlet 115V GFI (amps)		15		15		20	
Indoor Blower Motor	Horsepower	0.75	1	0.75	1	0.75	1
	Type	Belt	Belt	Belt	Belt	Belt	Belt
	Full Load Amps	3.5	4.6	1.6	2.1	1.3	1.7
² Maximum Overcurrent Protection	Unit Only	30	30	15	15	15	15
	with (1) 0.33 HP Power Exhaust	30	35	15	15	15	15
³ Minimum Circuit Ampacity	Unit Only	21	22	11	11	8	8
	with (1) 0.33 HP Power Exhaust	24	25	12	12	9	9

ELECTRICAL ACCESSORIES

Disconnect	Standard Access	20W15	20W15	20W15	20W15
	Hinged Access	20W21	20W21	20W21	20W21

NOTE - All units have a minimum Short Circuit Current Rating (SCCR) of 5000 amps.

¹ Extremes of operating range are plus and minus 10% of line voltage.² HACR type breaker or fuse.³ Refer to National or Canadian Electrical Code manual to determine wire, fuse and disconnect size requirements.

ELECTRICAL DATA**4 TON****BELT DRIVE BLOWER - KDB048H**

¹ Voltage - 60hz		208/230V - 3 Ph		460V - 3 Ph		575V - 3 Ph	
Compressor	Rated Load Amps	14		6.4		4.6	
	Locked Rotor Amps	83.1		41		33	
Outdoor Fan Motors (1)	Full Load Amps (total)	2.8		1.4		1.1	
Power Exhaust (1) 0.33 HP	Full Load Amps (total)	2.4		1.3		1	
Service Outlet 115V GFI (amps)		15		15		20	
Indoor Blower Motor	Horsepower	0.80	2	0.75	2	0.75	2
	Type	Belt	Belt	Belt	Belt	Belt	Belt
	Full Load Amps	3.5	7.5	1.6	3.4	1.3	2.7
² Maximum Overcurrent Protection	Unit Only	35	40	15	15	15	15
	with (1) 0.33 HP Power Exhaust	40	40	15	20	15	15
³ Minimum Circuit Ampacity	Unit Only	24	28	11	13	9	10
	with (1) 0.33 HP Power Exhaust	27	31	13	15	10	11

ELECTRICAL ACCESSORIES

Disconnect	Standard Access	20W18	20W18	20W18	20W18
	Hinged Access	20W24	20W24	20W24	20W24

NOTE - All units have a minimum Short Circuit Current Rating (SCCR) of 5000 amps.

¹ Extremes of operating range are plus and minus 10% of line voltage.² HACR type breaker or fuse.³ Refer to National or Canadian Electrical Code manual to determine wire, fuse and disconnect size requirements.**ELECTRICAL DATA****5 TON****BELT DRIVE BLOWER - KDB060H**

¹ Voltage - 60hz		208/230V - 3 Ph		460V - 3 Ph		575V - 3 Ph	
Compressor	Rated Load Amps	16.5		7.2		5.5	
	Locked Rotor Amps	110		52		38.9	
Outdoor Fan Motors (1)	Full Load Amps (total)	2.8		1.4		1.1	
Power Exhaust (1) 0.33 HP	Full Load Amps (total)	2.4		1.3		1	
Service Outlet 115V GFI (amps)		15		15		20	
Indoor Blower Motor	Horsepower	1	2	1	2	1	2
	Type	Belt	Belt	Belt	Belt	Belt	Belt
	Full Load Amps	4.6	7.5	2.1	3.4	1.7	2.7
² Maximum Overcurrent Protection	Unit Only	40	45	15	20	15	15
	with (1) 0.33 HP Power Exhaust	45	45	20	20	15	15
³ Minimum Circuit Ampacity	Unit Only	29	31	13	14	10	11
	with (1) 0.33 HP Power Exhaust	31	34	14	16	11	12

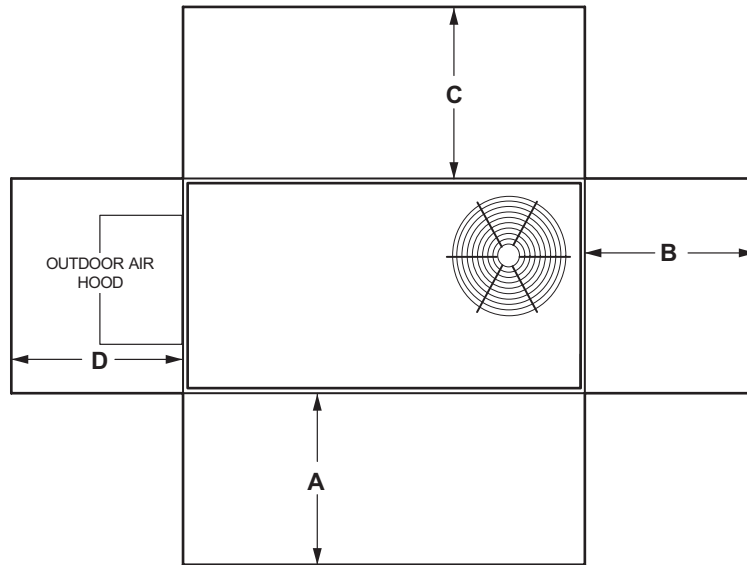
ELECTRICAL ACCESSORIES

Disconnect	Standard Access	20W18	20W18	20W18	20W18
	Hinged Access	20W24	20W24	20W24	20W24

NOTE - All units have a minimum Short Circuit Current Rating (SCCR) of 5000 amps.

¹ Extremes of operating range are plus and minus 10% of line voltage.² HACR type breaker or fuse.³ Refer to National or Canadian Electrical Code manual to determine wire, fuse and disconnect size requirements.

UNIT CLEARANCES - INCHES (MM)



¹ Unit Clearance	A		B		C		D		Top Clearance
	in.	mm	in.	mm	in.	mm	in.	mm	
Service Clearance	36	914	36	914	36	914	36	914	Unobstructed
Clearance to Combustibles	36	914	1	25	1	25	1	25	
Minimum Operation Clearance	36	914	36	914	36	914	36	914	

NOTE - Entire perimeter of unit base requires support when elevated above the mounting surface.

¹ Service Clearance - Required for removal of serviceable parts.

Clearance to Combustibles - Required clearance to combustible material.

Minimum Operation Clearance - Required clearance for proper unit operation.

OUTDOOR SOUND DATA

¹ Unit Model No.	Octave Band Linear Sound Power Levels dB, re 10 ⁻¹² Watts - Center Frequency - Hz							¹ Sound Rating Number (SRN) (dBA)
	125	250	500	1000	2000	4000	8000	
KDB024	62	66.5	69.5	69.6	63.5	56.8	51.4	74
KDB036	62.1	66.2	70.8	69.4	64	57.4	51.1	75
KDB048	66.8	67.8	72.6	72.1	68	63.1	52.9	77
KDB060	65.7	67.9	70.4	72.2	68.5	63.4	55.5	77

NOTE - The octave sound power data does not include tonal corrections.

¹ Sound Rating Number according to ARI Standard 270-95 (includes pure tone penalty). "SRN" is the overall A-Weighted Sound Power Level, (LWA), dB (100 Hz to 10,000 Hz).

WEIGHT DATA

Model Number	Net				Shipping			
	Base		Max.		Base		Max.	
	lbs.	kg	lbs.	kg	lbs.	kg	lbs.	kg
KDB024	595	270	665	302	635	288	705	320
KDB036	595	270	722	327	635	288	762	346
KDB048	670	304	808	366	710	322	848	385
KDB060	756	342	894	406	816	370	954	433

Base Unit - The unit with NO OPTIONS.

Max. Unit - The unit with ALL OPTIONS Installed (Economizer, etc.)

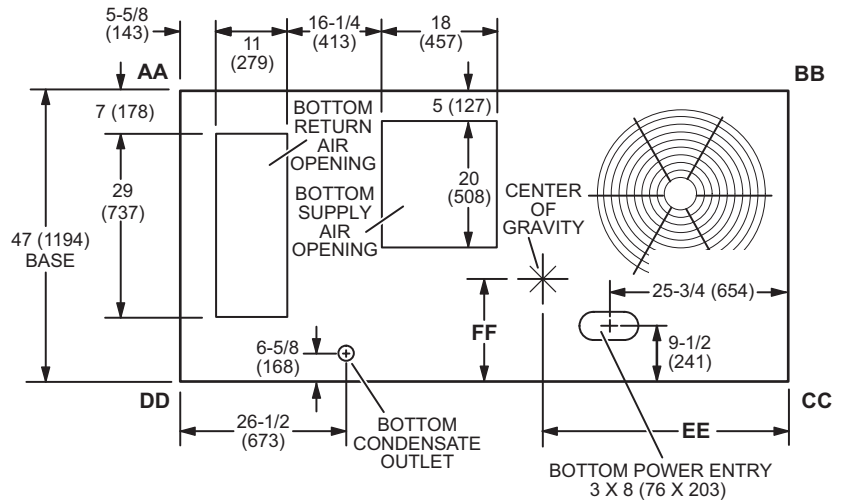
OPTIONS / ACCESSORIES

	Shipping Weights		
	lbs.	kg	
ECONOMIZER / OUTDOOR AIR / EXHAUST			
Economizer			
Economizer - Includes Barometric Relief Dampers and Exhaust Hood	131	59	
Outdoor Air Dampers			
Motorized	40	18	
Manual	30	14	
Power Exhaust			
Standard Static	35	16	
GAS HEAT			
Medium Heat (adder over standard heat)	8	4	
High Heat (adder over standard heat)	19	9	
ROOF CURBS			
Hybrid Roof Curbs, Downflow			
8 in. height	50	23	
14 in. height	70	32	
18 in. height	80	36	
24 in. height	100	45	
Hybrid Curbs, Full Perimeter, Downflow			
8 in. height	57	26	
14 in. height	60	27	
18 in. height	91	41	
24 in. height	114	52	
Adjustable Pitch Curb, Downflow			
14 in. height	113	51	
CEILING DIFFUSERS			
Step-Down	RTD9-65S	80	36
	RTD11-95S	118	54
Flush	FD9-65S	80	36
	FD11-95S	118	54
Transitions (Supply and Return)	T1TRAN10AN1	22	10
	T1TRAN20N-1	21	10

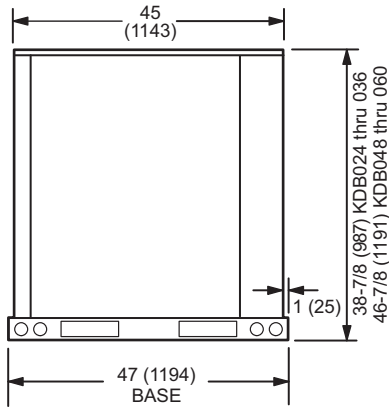
DIMENSIONS - UNIT - INCHES (MM)

Model No.	CORNER WEIGHTS												CENTER OF GRAVITY											
	AA		BB		CC		DD		EE		FF		Base		Max.		Base		Max.					
	lbs.	kg	lbs.	kg	lbs.	kg	lbs.	kg	lbs.	kg	in.	mm	in.	mm	in.	mm	in.	mm	in.	mm				
024	124	56	153	69	154	70	158	72	175	79	179	81	141	64	174	79	38	965	42	1067	22	559	22	559
036	124	56	167	76	154	70	171	78	175	79	195	88	141	64	189	86	38	965	42	1067	22	559	22	559
048	140	64	186	84	174	79	192	87	198	90	218	99	159	72	212	96	38	965	42	1067	22	559	22	559
060	162	73	217	98	192	87	201	91	218	99	229	104	184	83	247	112	45	1143	51	1295	22	559	22	559

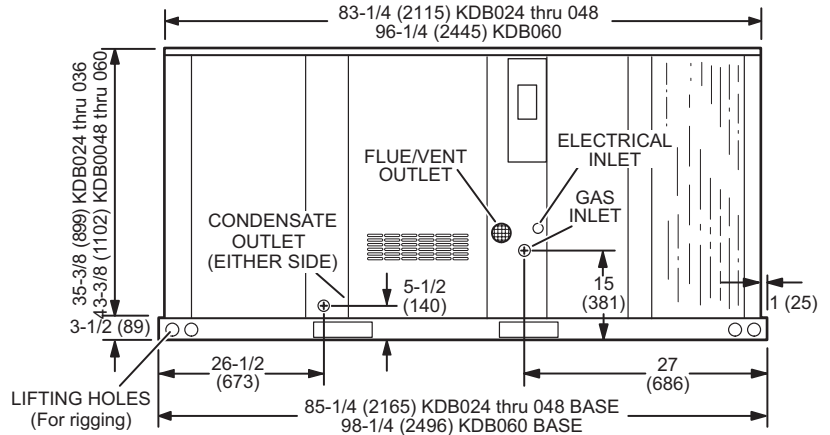
Base Unit - The unit with standard heat exchanger NO OPTIONS.
 Max. Unit - The unit with ALL OPTIONS Installed (Economizer, etc.).



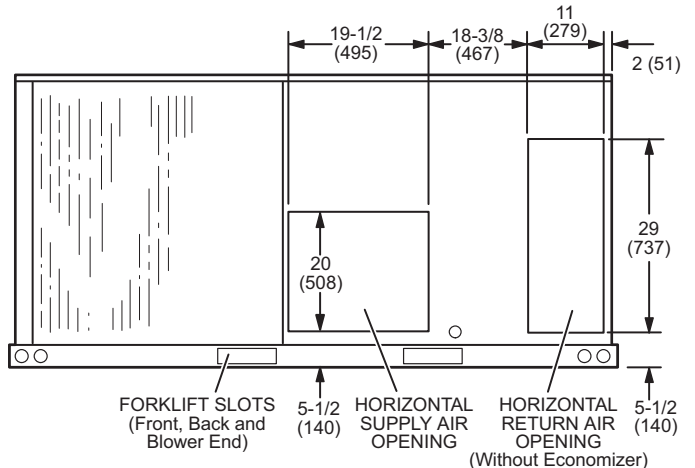
TOP VIEW (Base)



END VIEW



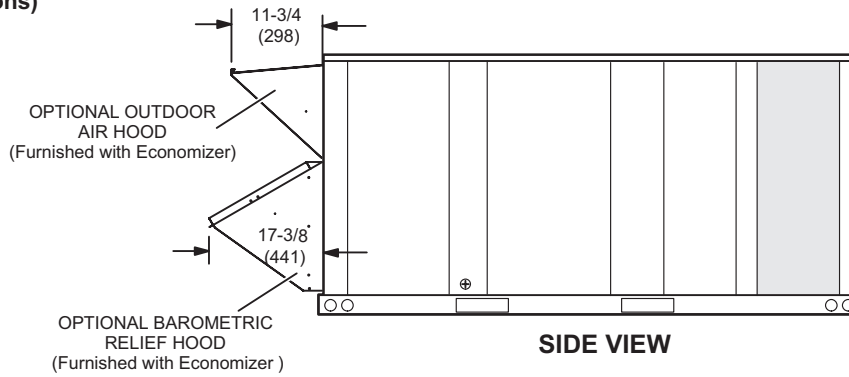
SIDE VIEW



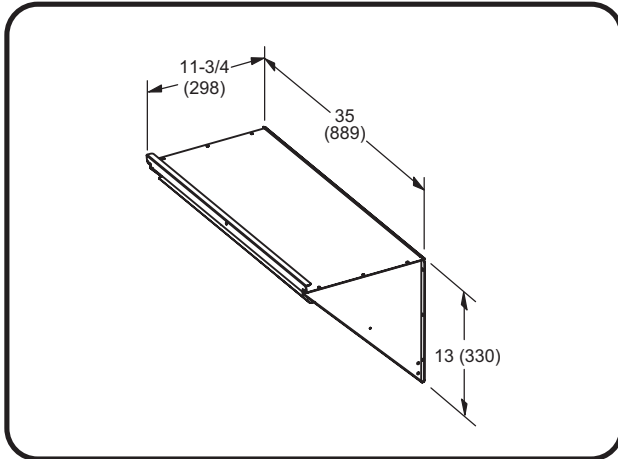
BACK VIEW

DIMENSIONS - ACCESSORIES - INCHES (MM)

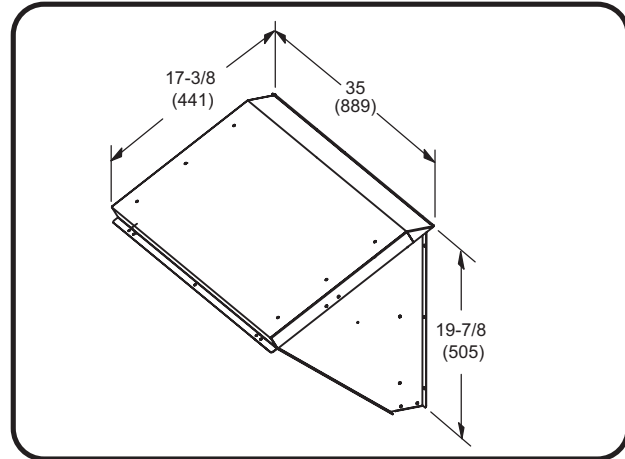
OUTDOOR AIR HOOD DETAIL FOR OPTIONAL ECONOMIZER AND BAROMETRIC RELIEF DAMPERS (Downflow Applications)



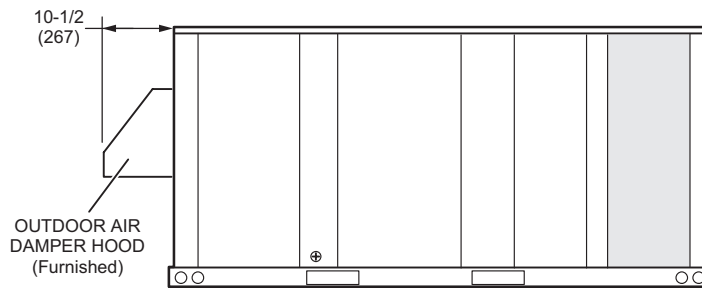
OUTDOOR AIR HOOD FOR ECONOMIZER (Furnished)



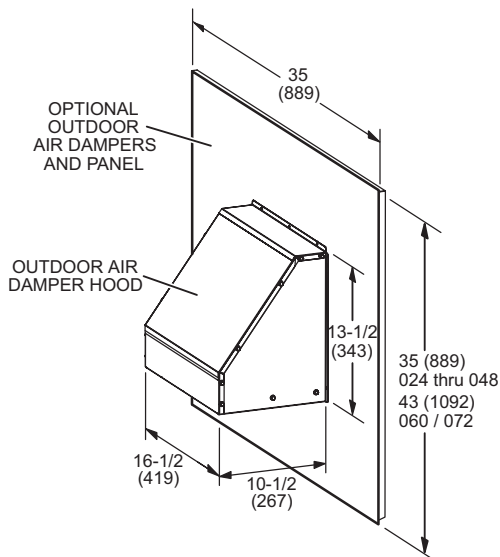
BAROMETRIC RELIEF HOOD FOR ECONOMIZER (Furnished)



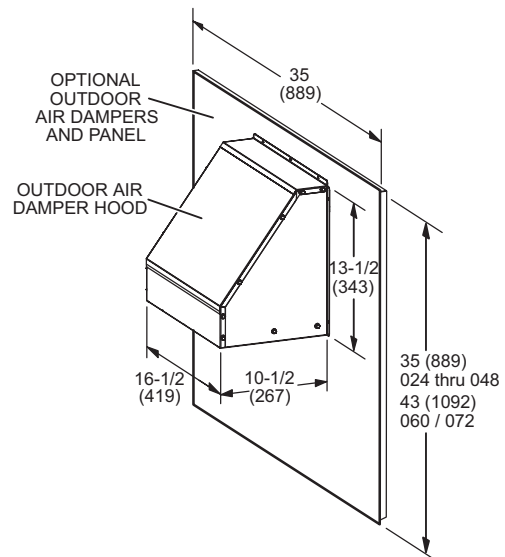
OUTDOOR AIR DAMPER HOOD DETAIL (Downflow or Horizontal Applications)



MANUAL OUTDOOR AIR HOOD

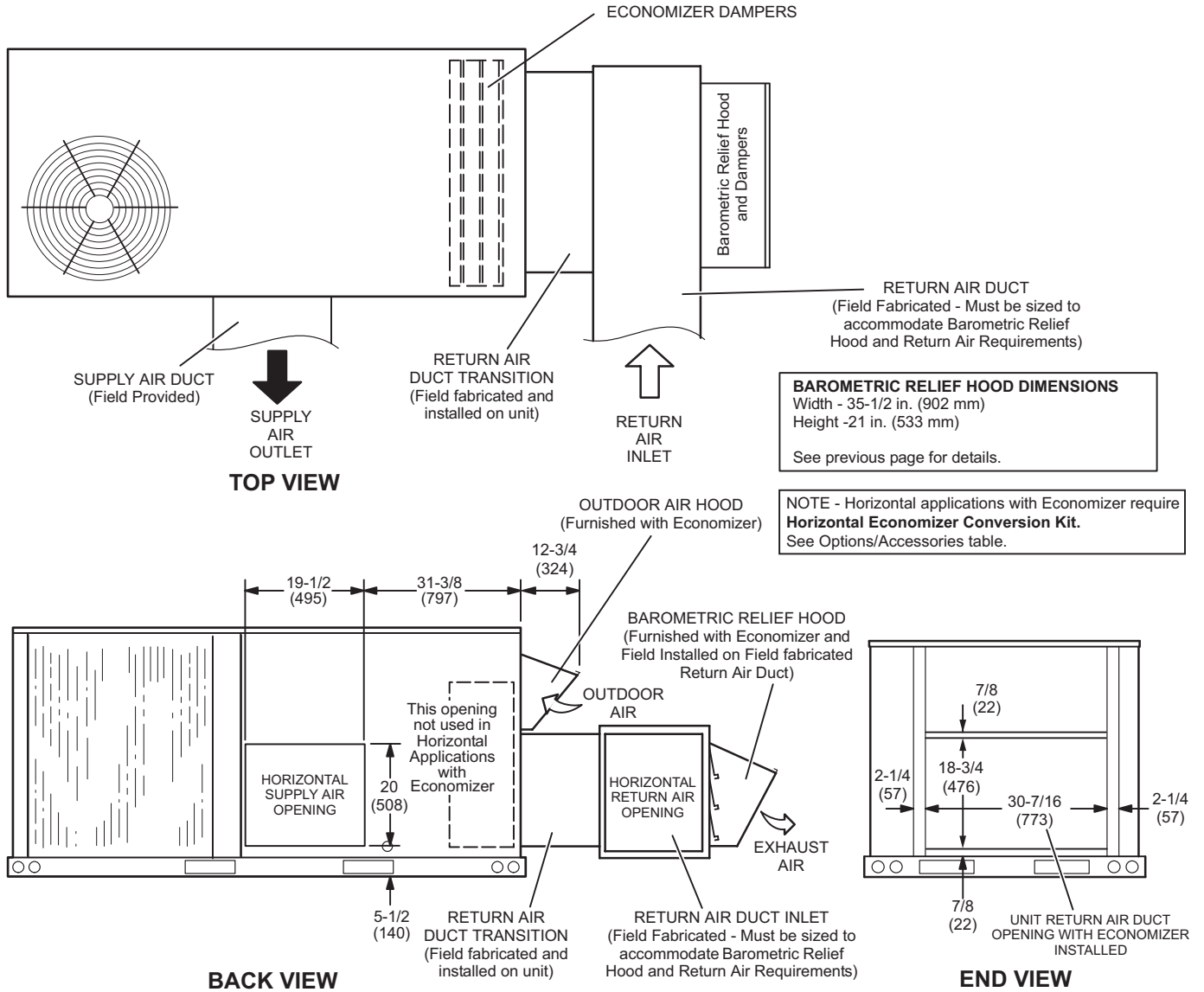


MOTORIZED OUTDOOR AIR HOOD



DIMENSIONS - ACCESSORIES - INCHES (MM)

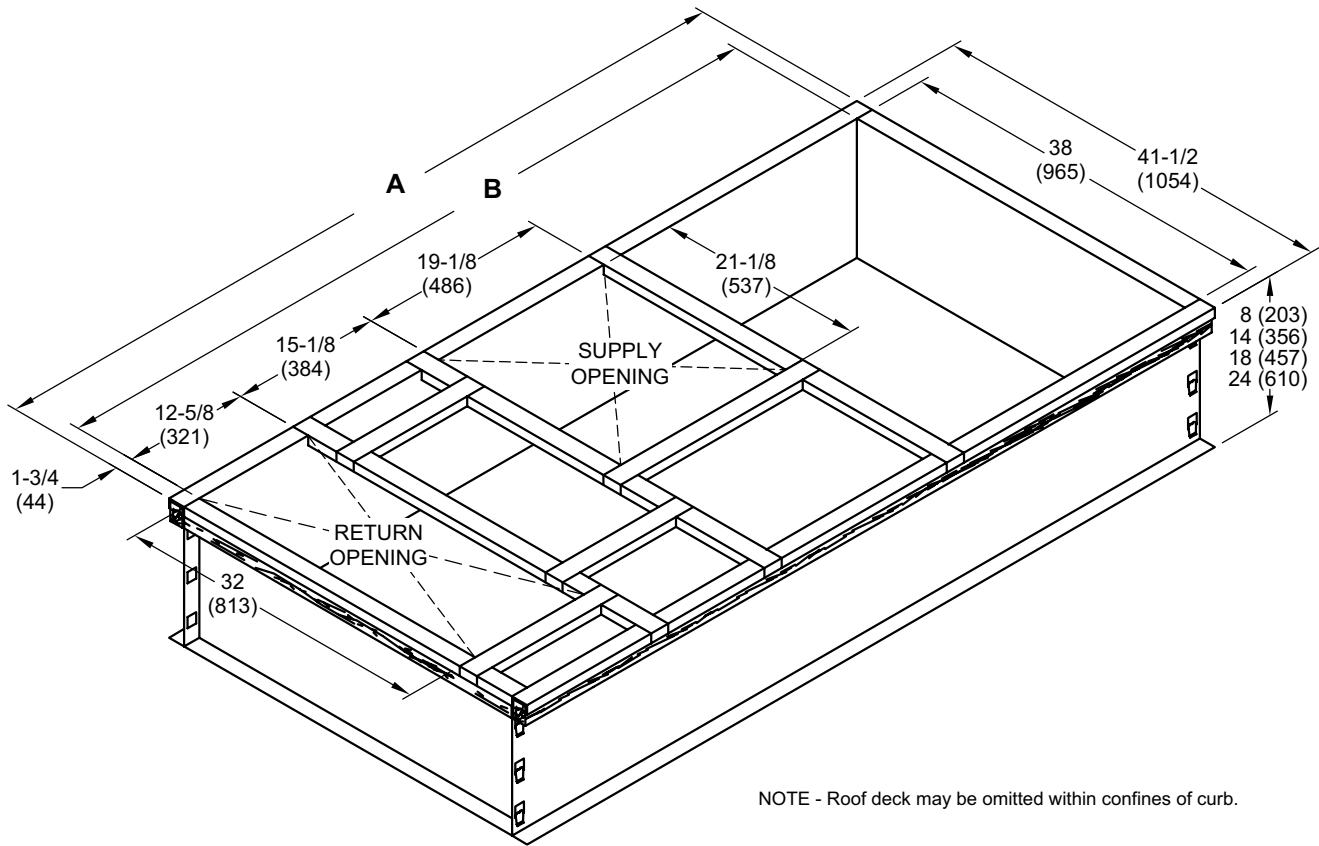
OUTDOOR AIR HOOD DETAIL WITH OPTIONAL ECONOMIZER AND BAROMETRIC RELIEF DAMPERS (Horizontal Applications)



NOTE - Return Air Duct and Transition must be supported.

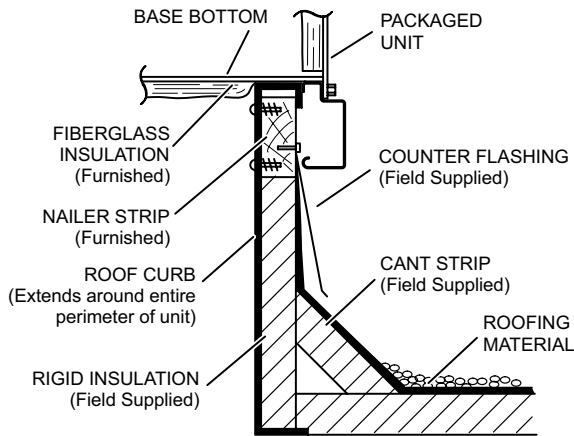
DIMENSIONS - ACCESSORIES - INCHES (MM)

HYBRID ROOF CURBS - DOUBLE DUCT OPENING - STANDARD AND FULL PERIMETER

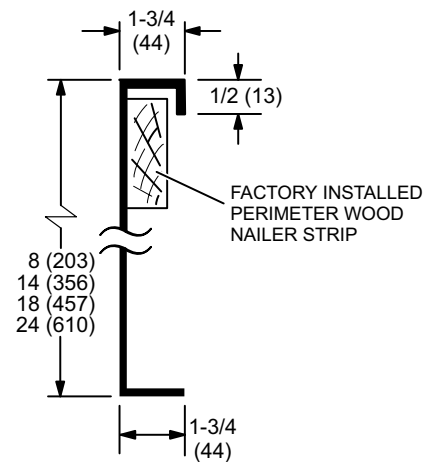


NOTE - Roof deck may be omitted within confines of curb.

TYPICAL FLASHING DETAIL FOR ROOF CURB



DETAIL ROOF CURB

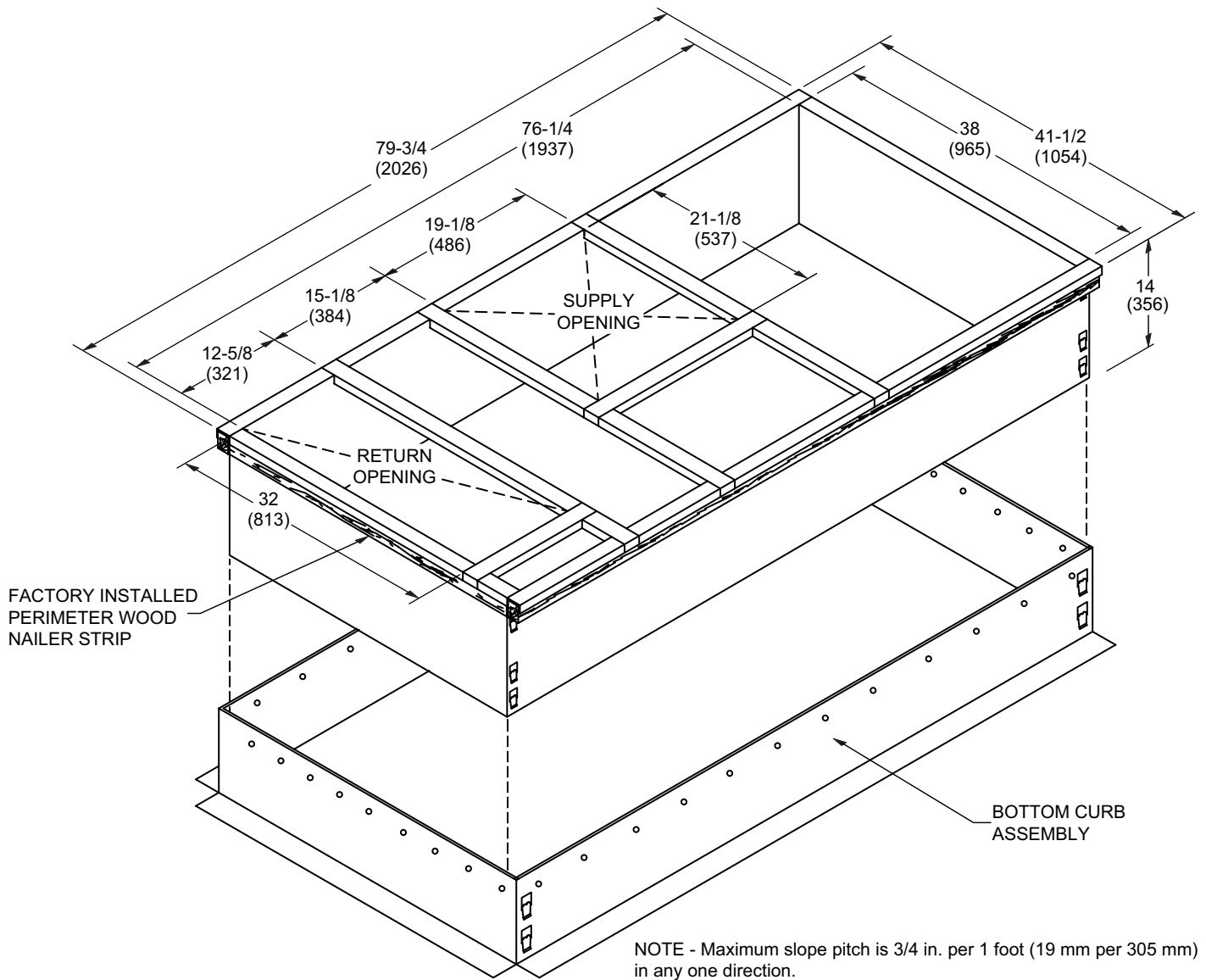


Model No.	A		B	
	in.	mm	in.	mm
Standard - 024, 036, 048, ¹ 060	79-3/4	2026	76-1/4	1937
Full Perimeter - 060	92-3/4	2356	89-1/4	2267

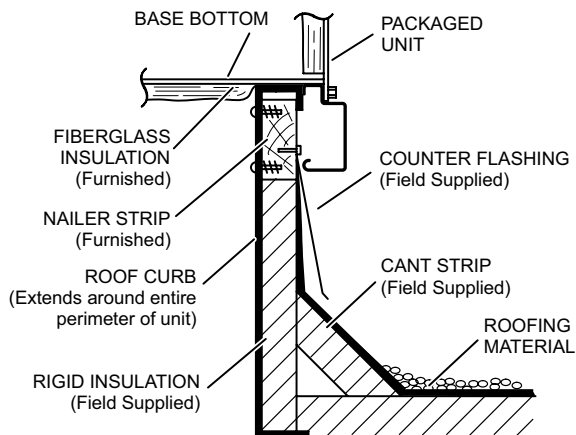
¹ 060 models can be used on smaller 79-3/4 in. (2026 mm) roof curbs (not full perimeter) with 15-3/4 in. (400 mm) overhang at condenser end of unit. See dimension drawing on page 42

DIMENSIONS - ACCESSORIES - INCHES (MM)

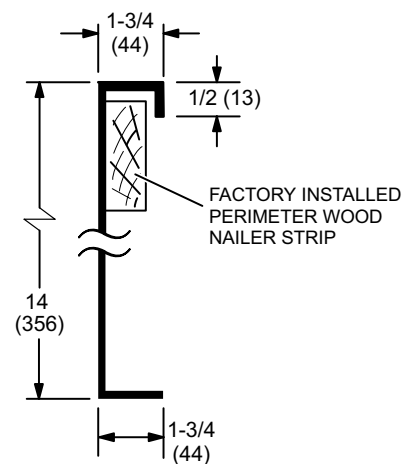
ADJUSTABLE PITCH CURBS - DOUBLE DUCT OPENING



TYPICAL FLASHING DETAIL FOR ROOF CURB

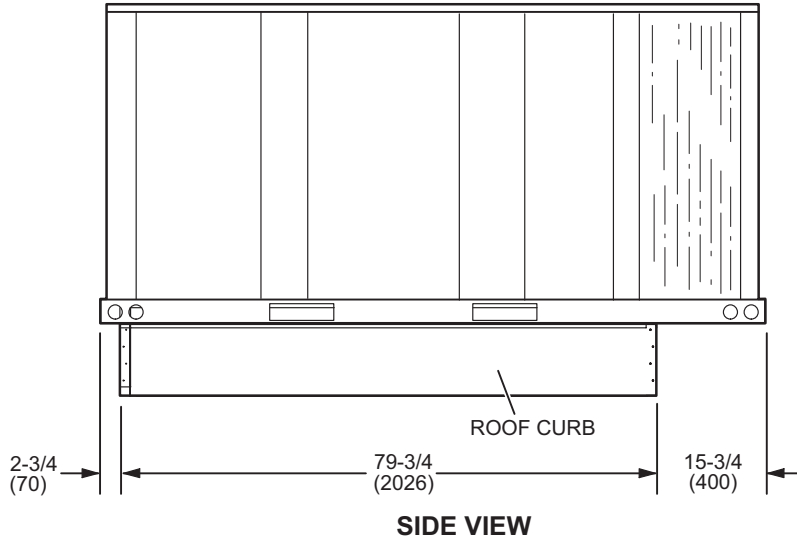


DETAIL ROOF CURB



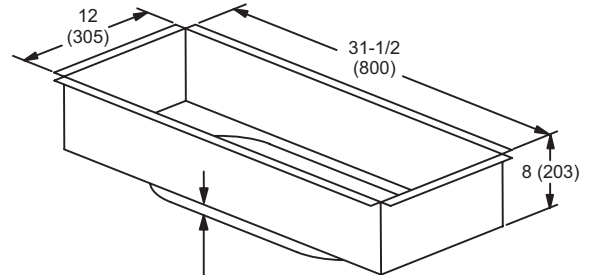
DIMENSIONS - ACCESSORIES - INCHES (MM)

060 MODELS - SHOWING OVERHANG ON SMALLER 79-3/4 INCH LENGTH ROOF CURBS
(Not Full Perimeter)



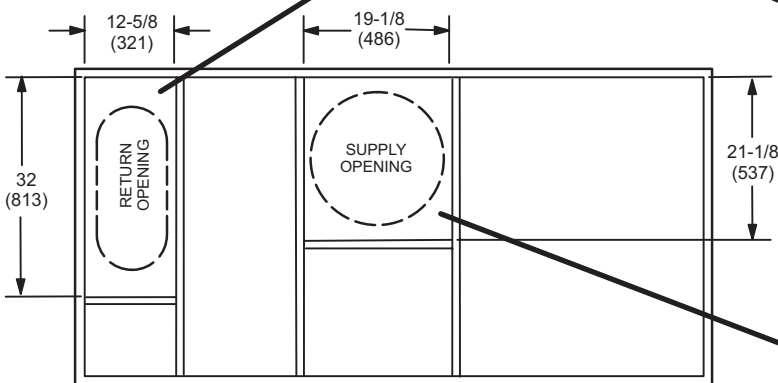
TRANSITIONS

T1TRAN10AN-1 - FOR 18 INCH (457 MM) DUCT
T1TRAN20N-1 - FOR 20 INCH (508 MM) DUCT

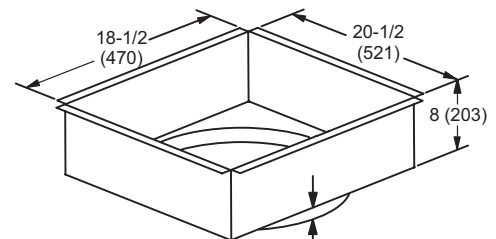


1-1/2 inch (38 mm) T1TRAN10AN-1
2 inch (51mm) T1TRAN20N-1

RETURN TRANSITION



T1TRAN10AN-1 - FOR 18 INCH (457 MM) DUCT
T1TRAN20N-1 - FOR 20 INCH (508 MM) DUCT



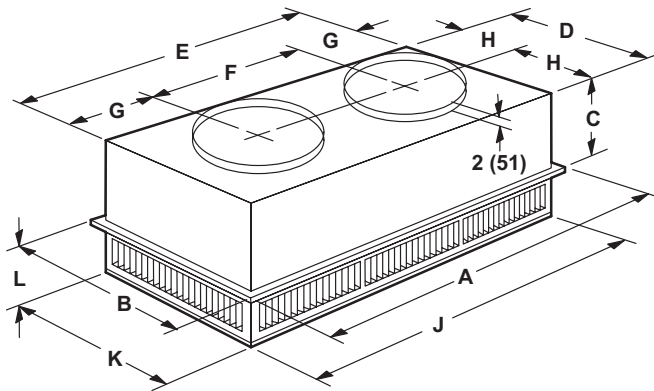
1-1/2 inch (38 mm) T1TRAN10AN-1
2 inch (51mm) T1TRAN20N-1

SUPPLY TRANSITION

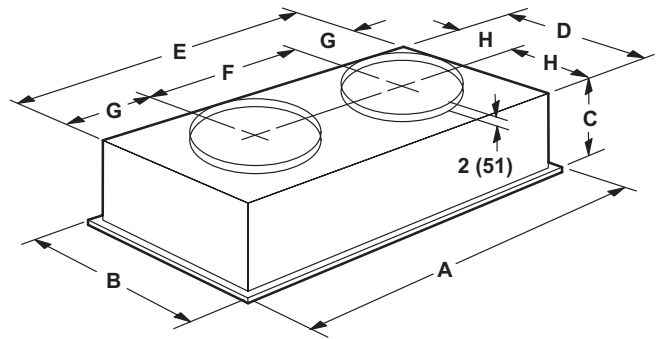
DIMENSIONS - ACCESSORIES - INCHES (MM)

COMBINATION CEILING SUPPLY AND RETURN DIFFUSERS

STEP-DOWN CEILING DIFFUSER



FLUSH CEILING DIFFUSER



Model Number		RTD9-65S	RTD11-95S
A	in.	47-5/8	47-5/8
	mm	1159	1159
B	in.	23-5/8	29-5/8
	mm	600	752
C	in.	11-3/8	14-3/8
	mm	289	365
D	in.	21-1/2	27-1/2
	mm	546	699
E	in.	45-1/2	45-1/2
	mm	1156	1158
F	in.	22-1/2	22-1/2
	mm	572	572
G	in.	11-1/2	11-1/2
	mm	292	292
H	in.	10-3/4	13-3/4
	mm	273	349
J	in.	45-1/2	45-1/2
	mm	1156	1156
K	in.	21-1/2	27-1/2
	mm	546	699
L	in.	7-1/8	8-1/8
	mm	181	206
Duct Size	in.	18 round	20 round
	mm	457 round	508 round

Model Number		FD9-65S	FD11-95S
A	in.	47-5/8	47-5/8
	mm	1159	1159
B	in.	23-5/8	29-5/8
	mm	600	752
C	in.	13-1/2	16-5/8
	mm	343	422
D	in.	21	27
	mm	533	686
E	in.	45	45
	mm	1143	1143
F	in.	22-1/2	22-1/2
	mm	572	572
G	in.	11-1/4	11-1/4
	mm	286	286
H	in.	10-1/2	13-1/2
	mm	267	343
Duct Size	in.	18 round	20 round
	mm	457 round	508 round

REVISIONS

Sections	Description of Change
Optional Accessories	Updated model and catalog numbers for manual and motorized Outdoor Air Dampers with Outdoor Air Hood.
Dimensions	Added new Outdoor Air Damper Hood drawing for Motorized Dampers.



Visit us at www.allied-commercial.com

For the latest technical information, visit us at www.allied-commercial.com

Contact us at 1-800-448-5872

NOTE - Due to Allied Commercial ongoing commitment to quality, Specifications, Ratings and Dimensions subject to change without notice and without incurring liability. Improper installation, adjustment, alteration, service or maintenance can cause property damage or personal injury. Installation and service must be performed by a qualified installer and servicing agency.