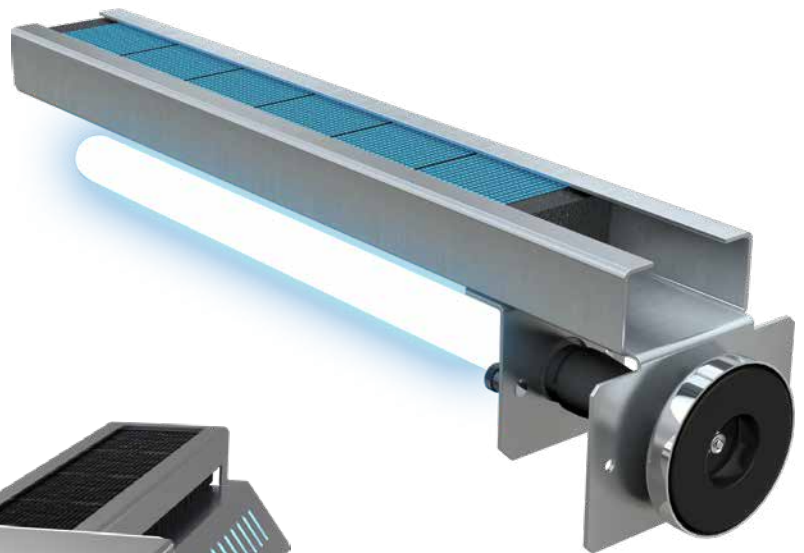


DETOX THE AIR



APCO[®]
Family of Air Treatment Systems

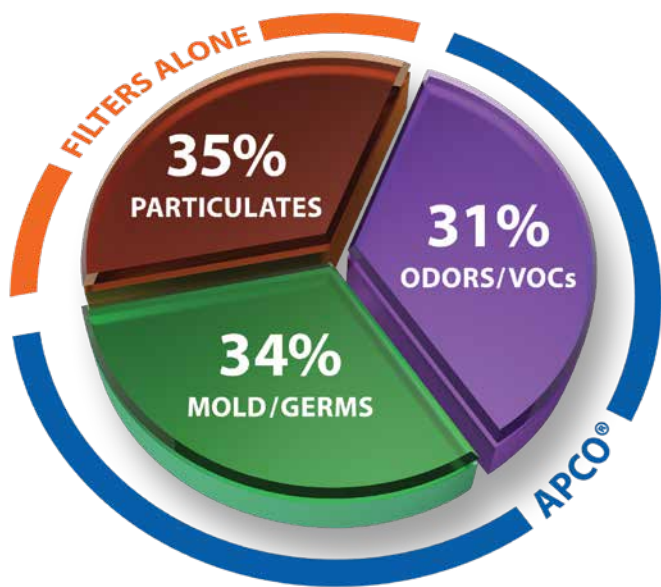
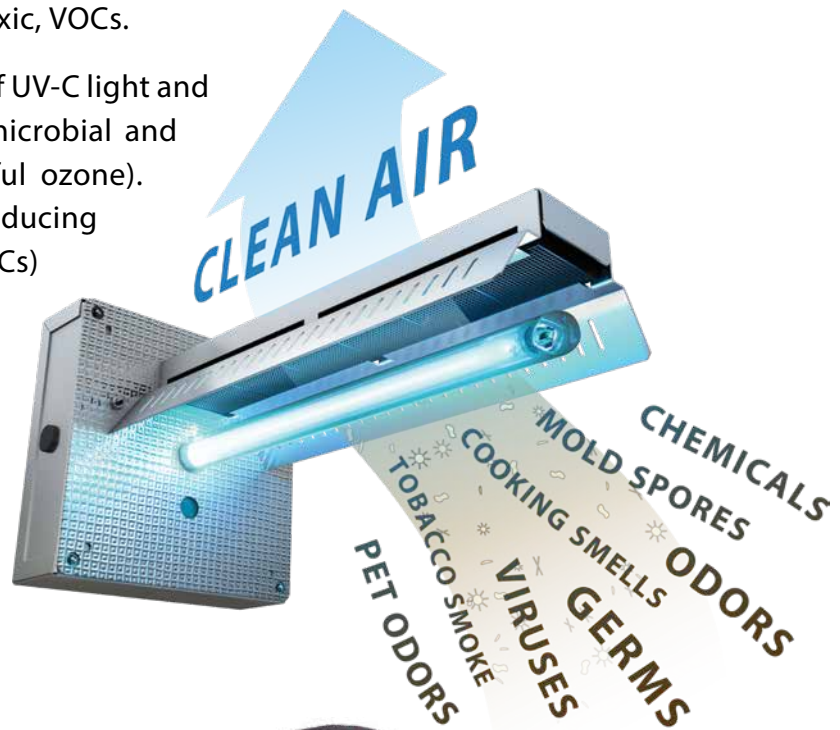
APCO[®]

Indoor Air Quality Innovation

Detox the Air with APCO[®]

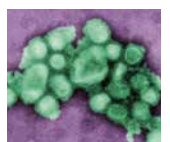
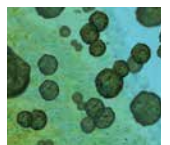
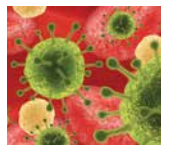
According to the EPA, indoor air pollution is often five times worse than outside air. The occupants of our homes and offices may face significant health risks from airborne contaminants such as mold, bacteria, and odor-causing, potentially toxic, VOCs.

APCO[®] products feature a unique combination of UV-C light and activated carbon which achieves unmatched microbial and odor reduction (without producing any harmful ozone). This technology is particularly effective at reducing odor-causing volatile organic compounds (VOCs) which include toxic chemical vapors like formaldehyde and toluene.



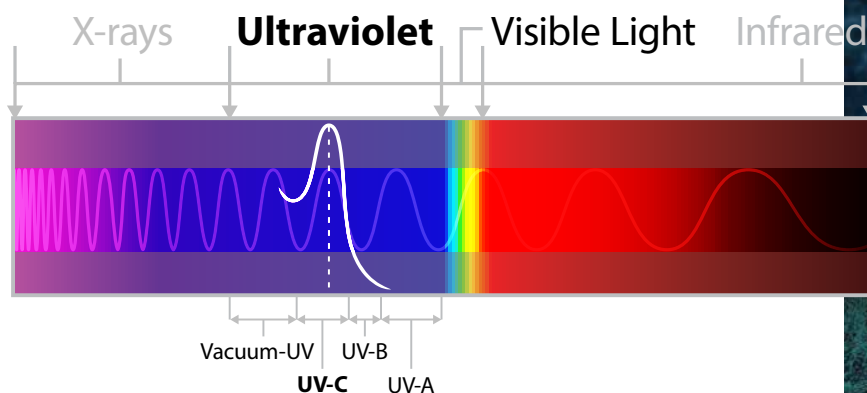
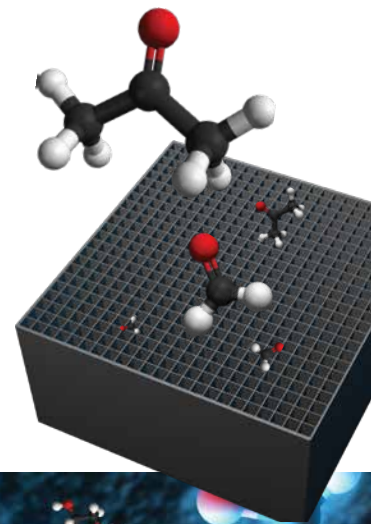
The Whole Pie

Airborne contaminants can be divided roughly into thirds. Conventional filtration is effective against particulates, like dust, but has no effect on the other two thirds. APCO[®] is proven to safely reduce both VOCs and biological contaminants inside the air system and throughout the home.



How APCO® Works

APCO® systems are installed in the central air system where they continuously remove airborne contaminants as they pass by. APCO® technology is based on a process called photocatalytic oxidation (similar to the catalytic converter on cars). Germicidal UV-C light reacts with titanium dioxide infused carbon cells; this neutralizes VOC contaminants, leaving only harmless water vapor and CO₂. This process leaves the carbon cells clean so they never fill up or need to be replaced. The result is clean, odor-free air throughout the home.

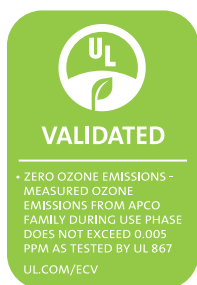


UV-C light, filtered out by the Earth's atmosphere, sterilizes microbes which have no defense against it.

APCO® cells capture and neutralize odors and toxic VOCs.

Proven, Validated, Certified, Awarded

APCO® has been proven safe and effective in numerous laboratory tests. It has been validated as ozone-free by UL Labs, certified by CARB, ETL & CE, and has won the prestigious AHR Innovation Award for indoor air quality.



APCO®

Family of Products

APCO®

The original duct-mount APCO® is suitable for most furnaces and air handlers (3-7 tons). It features six activated carbon PCO cells and is available with either a low-voltage (18-32 VAC) or high-voltage (120-277 VAC) internal power supply. APCO® Dual systems include a second remote UV lamp for additional coil disinfection.



APCO® RT

APCO® RT is also duct-mounted and is designed for use in smaller HVAC systems (1-5 tons), particularly where space is limited. It features four activated carbon PCO cells and is available with either a low-voltage (18-32 VAC) or high-voltage (120-277 VAC) external power supply. APCO® RT Dual systems include a second remote UV lamp for additional coil disinfection.

APCO® furnace installation



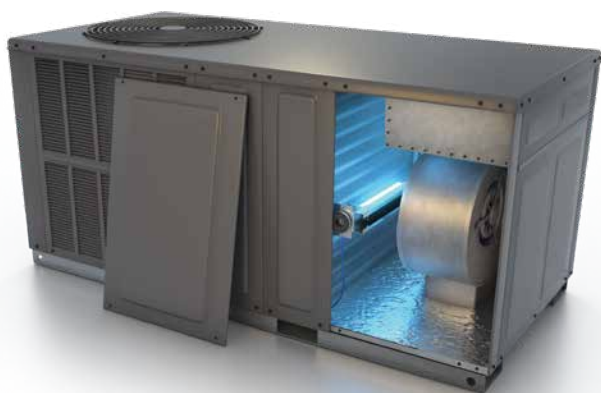
APCO® Mag

APCO® Mag is designed with a magnet mount for easy installation inside the air system. APCO® Mag is available in two lengths: APCO® Mag 15 features six activated carbon PCO cells, APCO® Mag 11 features four activated carbon PCO cells, both are available with either low-voltage (18-32 VAC) or high-voltage (120-277 VAC) external power supplies.

APCO® Mag 11

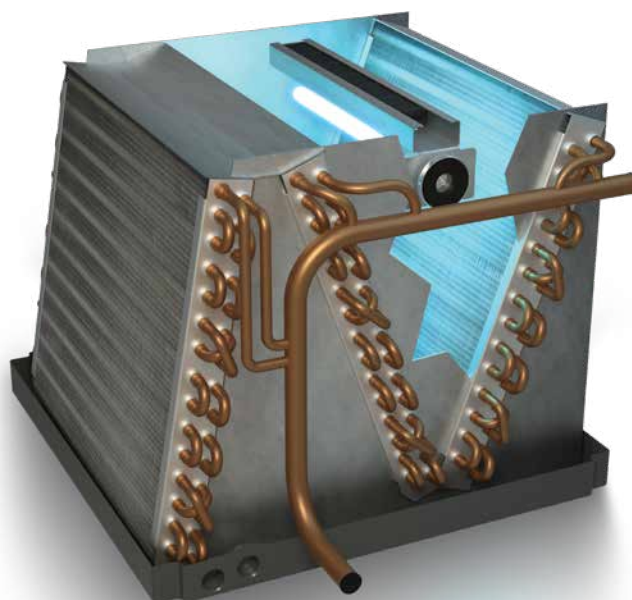


Dual APCO® Mag 15



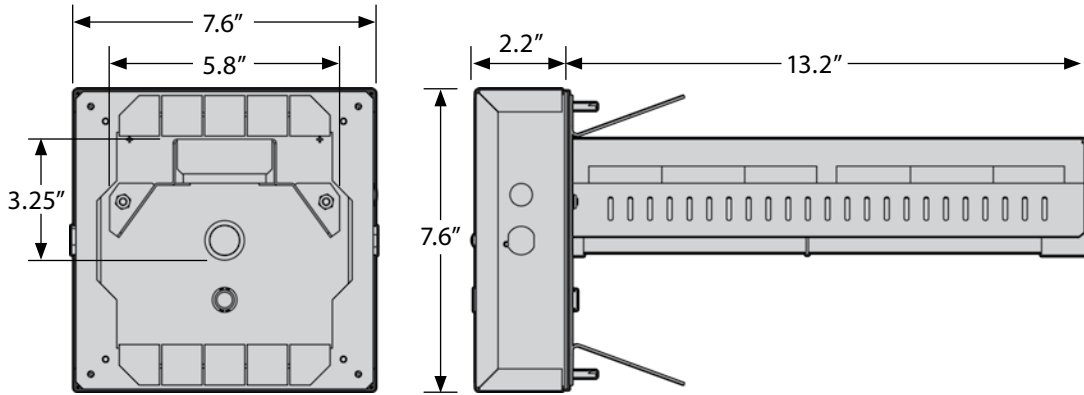
APCO® Mag in package unit

APCO® Mag in
"N" coil



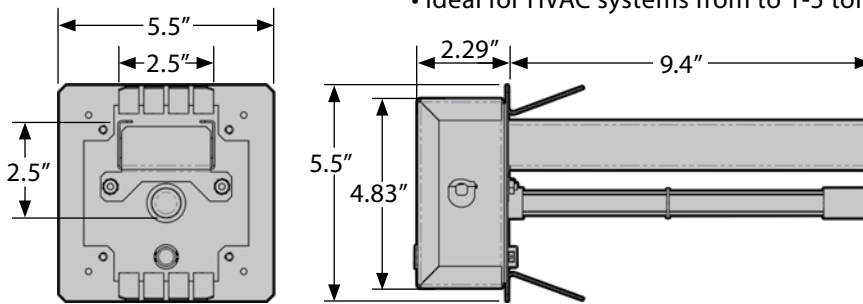
APCO

- High or low-voltage internal power supply
- Slotted flanges enhance air flow
- Ideal for HVAC systems from to 3-7 tons



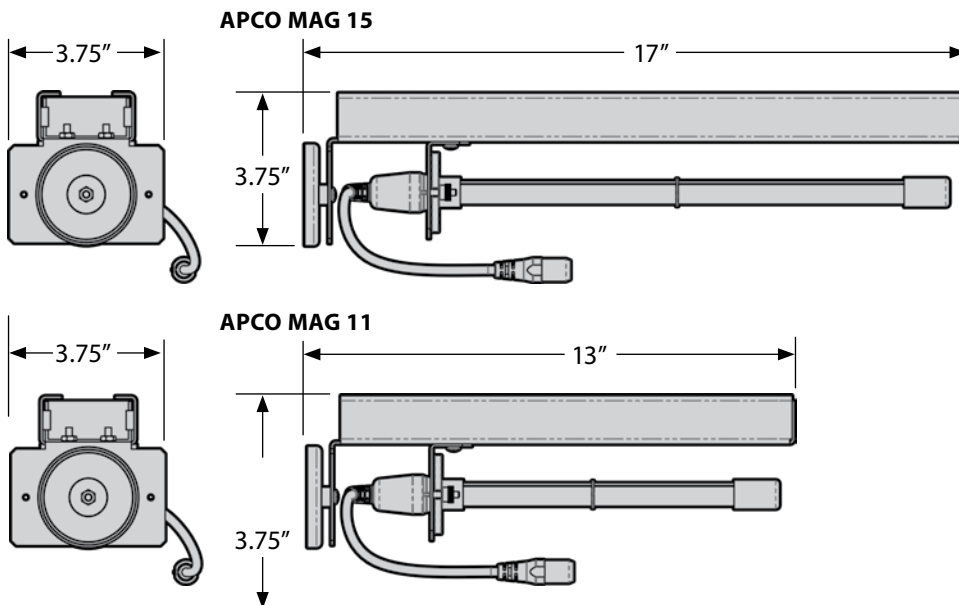
APCO RT

- High or low-voltage remote power supply
- Requires only 10" clearance within the duct
- Ideal for HVAC systems from to 1-5 tons



APCO MAG

- High or low-voltage remote power supply
- Removable magnet for internal mounting
- Ideal for package units



APCO Specifications

UV Lamp	254 nm germicidal UV-C, quartz hot filament
Dimensions	Cell & Lamp: 5.8"W x 3.25"H x 13.2"D Enclosure: 7.6"L x 7.6"W x 2.2"D
ER models Electrical	18-32 VAC, 60 Hz, 0.68 Amps, 16 VA
SI DI models Electrical	120-277 VAC, 50/60 Hz, 0.51 Amps/120V Thru 0.22 Amps/277V
Pressure Drop	<0.01" w.c. @ 400 FPM
Warranty	Lifetime for all parts except lamp

Part Numbers

18-32 VAC	Replacement Lamp	
TUV-APCO-ER	1 Year Lamp	TUVL-115
TUV-APCO-ER2	2 Year Lamp	TUVL-215
18-32 VAC with 2nd UV Lamp for Coils	Replacement Lamps	
TUV-APCO-DER	1 Year Lamp	TUVL-115 & TUVL-115P
TUV-APCO-DER2	2 Year Lamp	TUVL-215 & TUVL-215P
120-277 VAC	Replacement Lamp	
TUV-APCO-SI*	1 Year Lamp	TUVL-115
TUV-APCO-SI2*	2 Year Lamp	TUVL-215
120-277 VAC with 2nd UV Lamp for Coils	Replacement Lamps	
TUV-APCO-DI*	1 Year Lamps	TUVL-115 & TUVL-115P
TUV-APCO-DI2*	2 Year Lamps	TUVL-215 & TUVL-215P

APCO RT Specifications

UV Lamp	254 nm germicidal UV-C, quartz hot filament
Dimensions	Cell & Lamp: 2.5"W x 2.5"H x 9.4"D Enclosure: 4.83"L x 4.83"W x 2.29"D
ER models Electrical	18-32 VAC, 60 Hz, 0.68 Amps, 16 VA
ST DT models Electrical	120-277 VAC, 50/60 Hz, 0.51 Amps/120V Thru 0.22 Amps/277V
Pressure Drop	<0.01" w.c. @ 400 FPM
Warranty	Lifetime for all parts except lamp

Part Numbers

18-32 VAC	Replacement Lamp	
TUV-APCO-RT-ER	1 Year Lamp	TUVL-111
TUV-APCO-RT-ER2	2 Year Lamp	TUVL-211
120-277 VAC	Replacement Lamp	
TUV-APCO-RT-ST	1 Year Lamp	TUVL-111
TUV-APCO-RT-ST2	2 Year Lamp	TUVL-211
120-277 VAC with 2nd UV Lamp for Coils	Replacement Lamps	
TUV-APCO-RT-DT	1 Year Lamps	TUVL-111 & TUVL115
TUV-APCO-RT-DT2	2 Year Lamps	TUVL-211 & TUVL215

APCO Mag Specifications

UV Lamp	1 Year (part #s TUVL-111P, TUVL115P) 254 nm UVC Quartz Hot Filament
	2 Year (part #s TUVL-211P, 215P) 254 nm UVC Shielded Quartz Hot Filament
PCO Cell	Advanced monolithic absorptive PCO cell with proprietary absorption media and proven TiO2 photo-catalyst
Pressure Drop	<0.01" w.c. @ 400 FPM
Dimensions	APCO MAG11 5.5"W x 4"H x 13"D APCO MAG15 5.5"W x 4"H x 17"D
Pressure Drop	<0.01" w.c. @ 400 FPM
Electrical ER Series	18-32 VAC, 60 Hz, 0.68 Amps, 16 VA Low-voltage power-supply
Electrical ST / DT Series	120-277 VAC, 50/60 Hz, 0.51 Amps/120V Thru 0.22 Amps/277V High-voltage power-supply
Warranty	Lifetime for all parts except lamp

APCO Mag 11 Part Numbers

18-32 VAC	Replacement Lamp	
TUV-APCO-MAG11-ER	1 Year Lamp	TUVL-111P
TUV-APCO-MAG11-ER2	2 Year Lamp	TUVL-211P
120-277 VAC	Replacement Lamp	
TUV-APCO-MAG11-ST	1 Year Lamp	TUVL-111P
TUV-APCO-MAG11-DT	1 Year Lamp Dual	TUVL-111P & TUVL-115P
TUV-APCO-MAG11-ST2	2 Year Lamp	TUVL-211P
TUV-APCO-MAG11-DT2	2 Year Lamp Dual	TUVL-211P & TUVL-215P

APCO Mag 15 Part Numbers

18-32 VAC	Replacement Lamp	
TUV-APCO-MAG15-ER	1 Year Lamp	TUVL-111P
TUV-APCO-MAG15-ER2	2 Year Lamp	TUVL-211P
120-277 VAC	Replacement Lamp	
TUV-APCO-MAG15-ST	1 Year Lamp	TUVL-115P
TUV-APCO-MAG15-DT	1 Year Lamp Dual	TUVL-115P (x 2)
TUV-APCO-MAG15-ST2	2 Year Lamp	TUVL-215P
TUV-APCO-MAG15-DT2	2 Year Lamp Dual	TUVL-215P (x 2)





More Residential IAQ Products from Fresh-Aire UV



Blue-Tube UV®

The original, patented, low-voltage UV light kit kills mold and germs on the coil and in the air. Saves energy and reduces maintenance costs by keeping your central air system clean.



Mini UV™

The first germicidal UV light designed specifically for Mini Splits and other limited-space applications. 9" UV-C lamps fit in the tightest spaces.



AHU Series 1

Mounts in the air handler for maximum UV effect. Heavy-duty moisture resistant components. Many options available.



Fresh-Aire UV® Purity

The ultimate whole-house air purification system. Advanced filtration with germ-killing UV-C light and PCO odor control.