

Features

- Rim holes provide a uniform cascade of water to keep sides of sink clean.
- Siphon jet provides a powerful surge of water to effectively eliminate maximum debris or waste.
- 2-1/2" trapway larger than most residential toilet trapways.
- Large basin allows placement of more volume.
- 1-1/2" (38 mm) top spud.

Material

- Crafted of Grade A vitreous china to provide a durable, nonporous product with a glossy finish.

Recommended Products/Accessories

- K-8935 Stainless Steel Rim Guard
- 21401 Closet Bolt Assembly
- K-8801 Sink Strainer
- K-8799 Sink Strainer
- K-23726 Drain treatment
- K-23725 Cast iron cleaner

Optional Products/Accessories

- K-11352 Disposal Flange with Stopper

Included Components

Additional Components:

- 1.5" spud
- Bolt caps (pair)



Codes/Standards

ASME A112.19.2/CSA B45.1

KOHLER® One-Year Limited Warranty

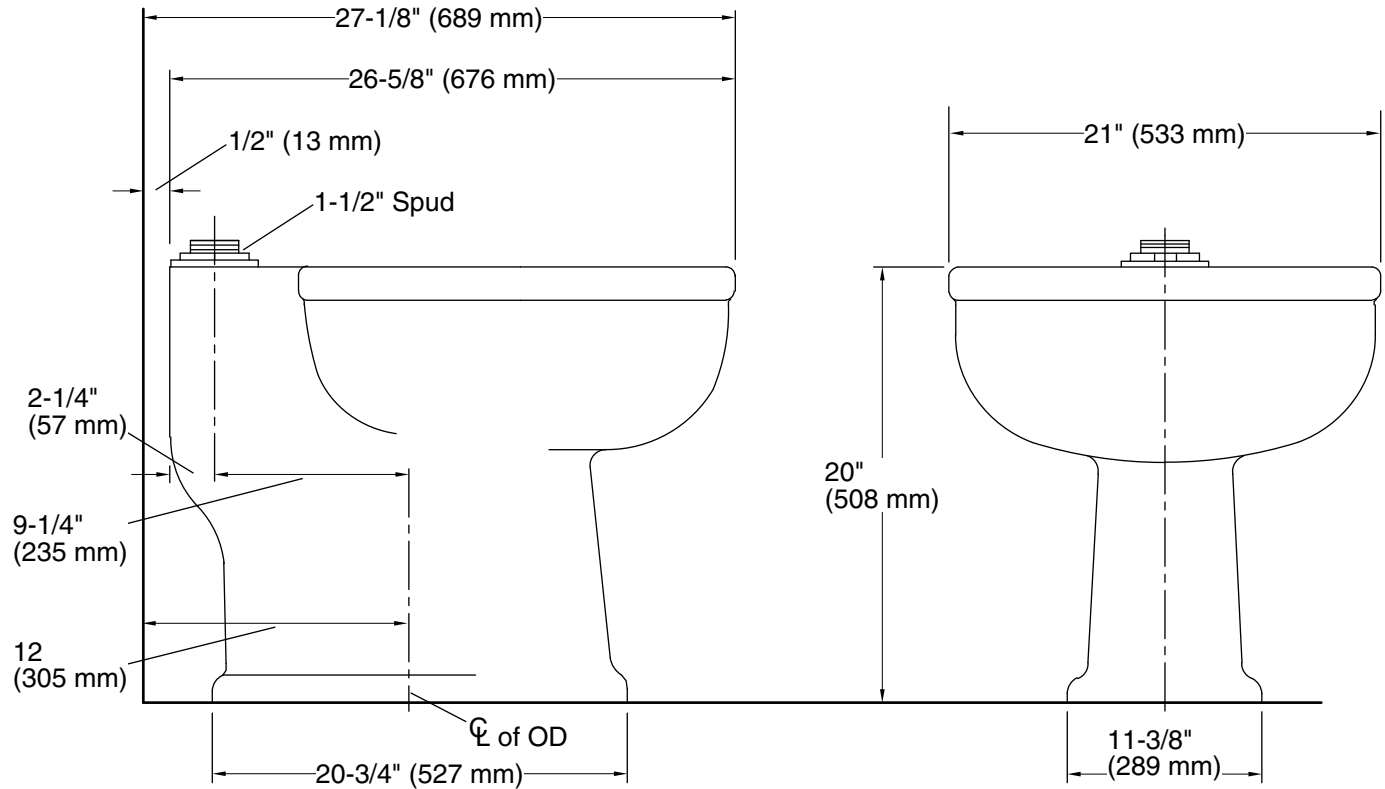
See website for detailed warranty information.

Available Colors/Finishes

Color tiles intended for reference only.

Color	Code	Description
-------	------	-------------

	0	White
---	---	-------



Technical Information

All product dimensions are nominal.

Bowl configuration:	Single
Installation:	Freestanding
Bowl area (Only):	Length: 17" (432 mm) Width: 17" (432 mm) Water depth: 7-5/8" (194 mm)
Number of deck holes:	1
Drain hole:	2-5/8" (67 mm)

Notes

Install this product according to the installation instructions.