



MAGNETIC DIRT SEPARATOR DIRTMAG®

CALEFFI
Hydronic Solutions



Heating & Cooling

Components for today's modern hydronic systems



PCT
INTERNATIONAL
APPLICATION
PENDING

FUNCTIONS AND FEATURES

- The DIRTMAG® removes both ferrous and non-ferrous impurities continuously in a sealed hydronic heating and cooling system.
- A large brass body low velocity chamber reduces the frequency of cleaning, which can also be done while the system is in operation.
- A removable magnetic ring and large drain valve make the DIRTMAG® quick and easy to flush collected dirt and ferrous impurities, including magnetite.
- A powerful removable external magnetic ring attracts ferrous impurities with 2 ½ times the removal performance of a standard dirt separator.
- DIRTMAG® will separate dirt particles down to 5 µm (0.2 mil) and up to 100% of ferrous impurities during multiple passes of system fluid.
- Low head losses reduces pumping demands compared to typical Y-strainers.

CONNECTIONS



CODE	CONNECTION
546306A	1" NPT
546328A	1" sweat
546307A	1¼" NPT
546335A	1¼" sweat
546308A	1½" NPT
546341A	1½" sweat
546309A	2" NPT
546354A	2" sweat

CONNECTIONS



Installation shell fits DIRTMAG® 5463 series. Labels included for field installation to externally identify product use.

CODE	CONNECTION
CBN546205	Fits ¾" & 1"
CBN546207	Fits 1¼" & 1½"
CBN546209	Fits 2"

DIRT SEPARATION
FERROUS IMPURITIES REMOVAL

The DIRTMAG® magnetic dirt separator removes both ferrous and non-ferrous impurities, continuously, featuring a powerful removable external magnet around the body. The dirt separator separates out dirt particles which are mainly made up of particles of sand and rust, collecting them in a large body chamber, from which they can be removed even while the system is in operation. This device is capable of efficiently removing even the smallest particles, with very low head loss.

Ferrous impurities, including magnetite, form in hydronic systems when iron or steel corrodes. The abrasive, extremely fine sediment is difficult to remove and can deposit onto heat exchange surfaces and accumulate in pump cavities causing reduced efficiency and premature wear. DIRTMAG® accomplishes 2 ½ times the ferrous impurities removal performance of standard dirt separators, delivering up to 100% elimination efficiency.

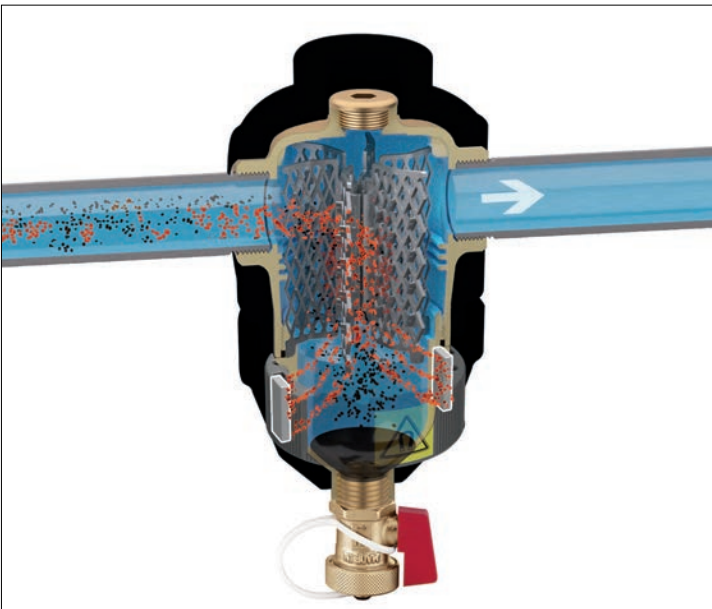
CONSTRUCTION



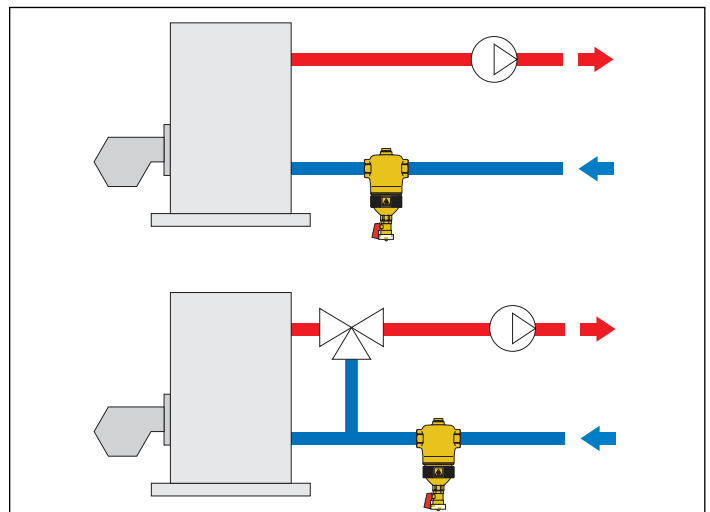
PERFORMANCE

MAX. WORKING PRESSURE	150 psi
WORKING TEMPERATURE RANGE	32 – 250°F (0 – 90°C)
MAX. GLYCOL	50%
PARTICLE SEPARATION CAPACITY	5 µm (0.2 mil)
FERROUS IMPURITIES REMOVAL EFFICIENCY	up to 100%

3D CROSS SECTION



APPLICATION DIAGRAM



REFERENCE DOCUMENTATION: TECHNICAL BROCHURE 01137



03504-15 NA