

Features

- One-piece wall-hung toilet.
- Compact elongated bowl offers added comfort while occupying the same space as a round-front bowl.
- Mounting hardware is completely concealed, allowing the design lines to remain intact when installed.
- Includes wall-hung bowl with Memoirs seat.

Installation

- See installation guide and installation video for more detailed information.
- Pairs with the K-18829 in-wall tank and carrier system, and K-77271 Memoirs®, K-8857 Bevel®, K-4177 Droplet®, K-5413 Cue™, K-75890 Lynk™, and K-75891 Note™ flush actuator plates.
- Also pairs with K-6284 in-wall tank and carrier system, and K-6298 Veil® flush actuator plate.
- This product is not designed or intended for bariatric use.

Recommended Products/Accessories

K-18829 2x4 In-Wall Tank & Carrier System
K-77271 Flush actuator plate
K-23726 Drain treatment



Codes/Standards



ASME A112.19.2/CSA B45.1
ASME A112.19.14
DOE - Energy Policy Act 1992
EPA WaterSense®
California Energy Commission (CEC)

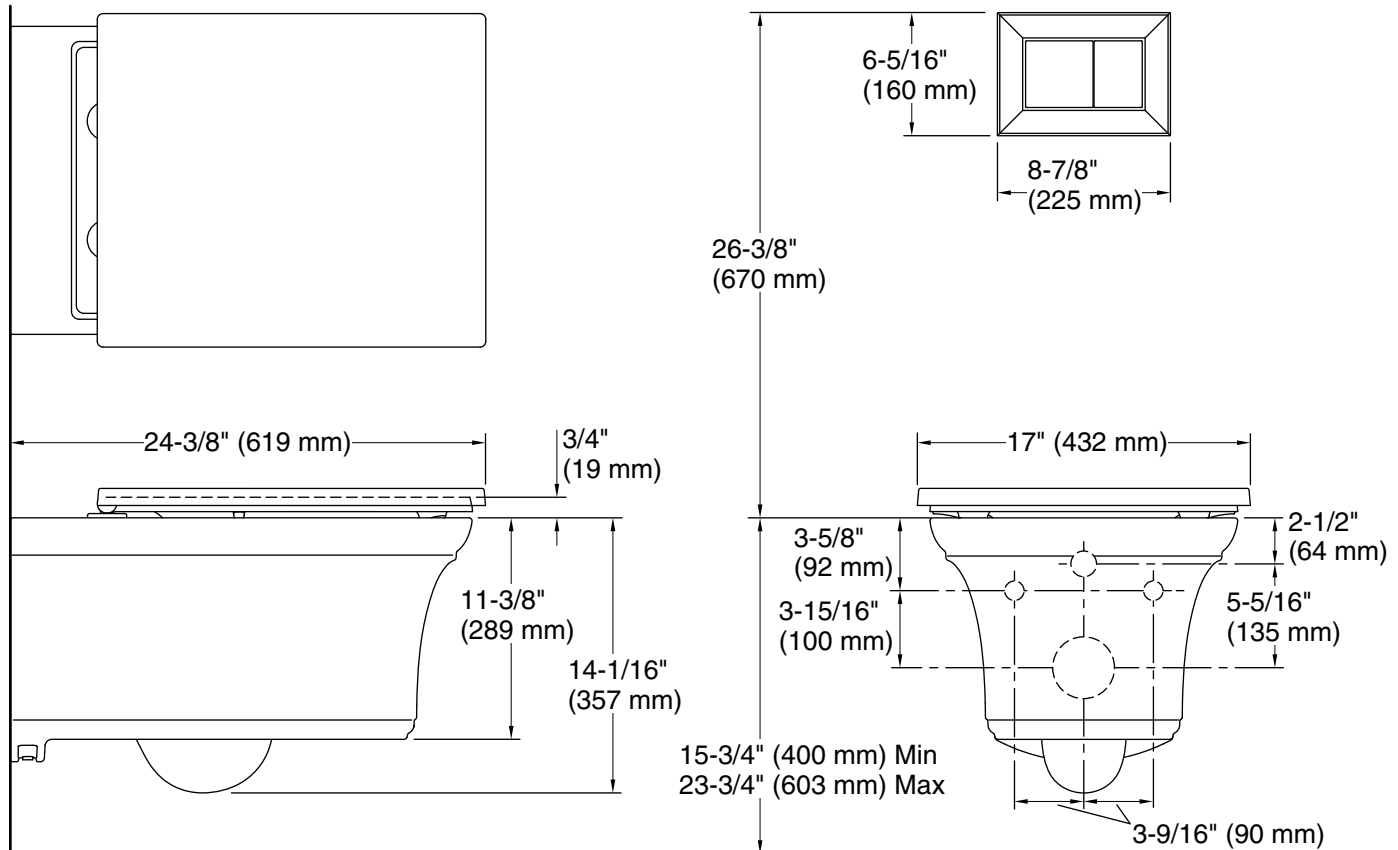
KOHLER® Toilets and Seats Limited Warranty

See website for detailed warranty information.

Available Colors/Finishes

Color tiles intended for reference only.

Color	Code	Description
	0	White
	7	Black Black™



Technical Information

All product dimensions are nominal.

Trap passageway: 2-9/16" (65 mm)

Water Consumption

Full: 1.6 gpf (6 lpf)

Reduced: 0.8 gpf (3 lpf)

Water surface size: 5-1/4" x 4-1/8" (133 mm x 105 mm)

Rim to water surface: 8-1/2" (216 mm)

Seat-mounting holes: 6-1/8" (155 mm)

Fixture Supply Requirements

Min static pressure: 20 psi (137.9 kPa)

Max static pressure: 80 psi (551.6 kPa)

Notes

Install this product according to the installation instructions.

Toilet height is dependent on carrier settings.