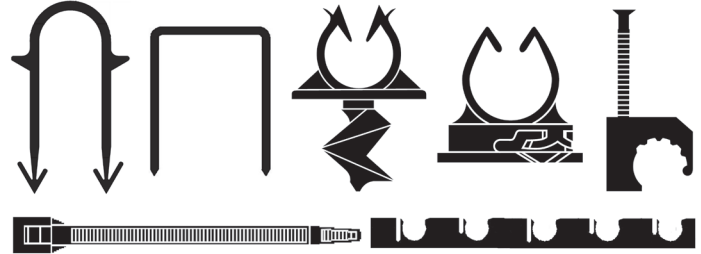


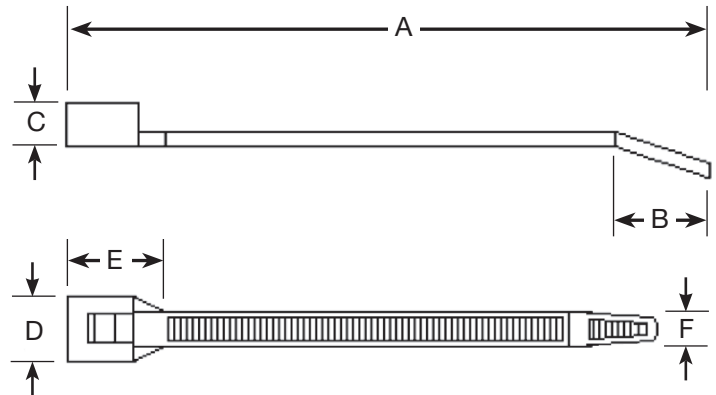
Tubing Fasteners

Viega offers several different types of fasteners for attaching ViegaPEX® Barrier tubing to different surfaces. Whether attaching to foam board, rebar, wire mesh, concrete or wood Viega has the fastener needed. Below you will find technical information relating to each.



Zip Ties

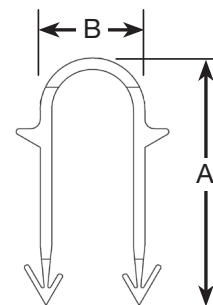
Part Number: 15304
 Normal Uses: Attaching ViegaPEX Barrier tubing to rebar and wire mesh
 Tubing Compatibilities: All sizes of ViegaPEX Barrier tubing
 Material Makeup: Nylon
 Tensile Strength: 75 lbs
 Package Quantity: 100 zip ties



Part Number	A	B	C	D	E	F
15304	8.0"	0.70"	0.22"	0.31"	0.40"	0.17"

Foam Staples

Part Number: 15312, 15313
 Normal Uses: Attaching ViegaPEX Barrier tubing to rigid foam board insulation
 Tubing Compatibilities: 3/8", 1/2", 5/8" ViegaPEX Barrier tubing
 Material Makeup: Plastic
 Package Quantity: 300 staples
 Associated Tools: Foam Staple Gun part number 21432. Also compatible with older straight handle foam staple gun.



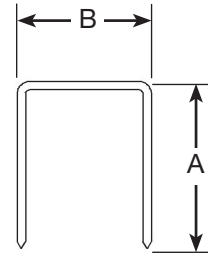
Part Number	A	B	Use with
15313	1 1/2"	1"	1" thick foam panels
15312	2 1/2"	1"	1 1/2" thick or thicker foam panels

TechData



Pneumatic Staples

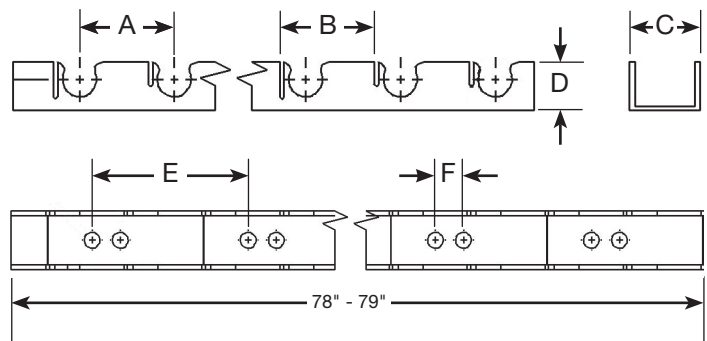
Part Number: 21431
 Normal Uses: Attaching ViegaPEX Barrier tubing to wood subfloor
 Tubing Compatibilities: 3/8", 1/2", 5/8" ViegaPEX Barrier tubing
 Material Makeup: 16 Ga. Galvanized staple
 Package quantity: 10,000 staples
 Associated tools: Pneumatic Staple gun part number 21430



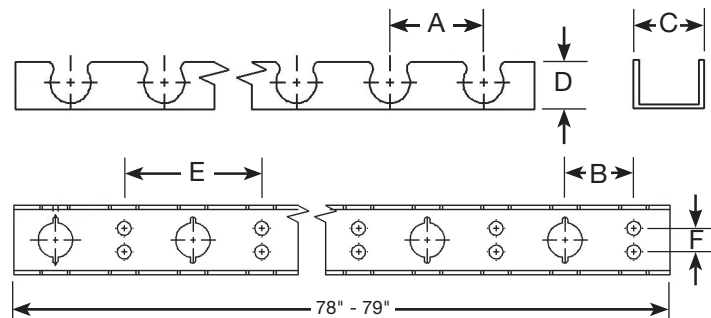
Part Number	A	B
21431	1.0"	1.25"

U-Channel:

Part Number: 15310, 15311, 15314
 Normal Uses: Attaching ViegaPEX Barrier tubing to concrete or other flat surfaces
 Tubing Compatibilities: 1/2", 5/8", 3/4" ViegaPEX tubing
 Material Makeup: Plastic
 Package Quantity: 16 U-channel strips



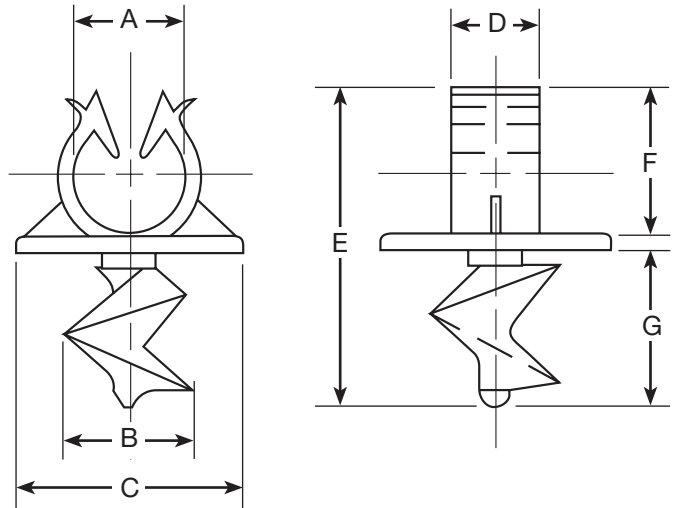
Part Number	Length of strip	Barrier Tube Dimension	A	B	C	D	E	F
15310	6.5'	1/2"	2.0"	2.0"	1.50"	1.0"	4.0"	.71"
15311	6.5'	5/8"	2.0"	2.0"	1.50"	1.0"	4.0"	.71"



Part Number	Length of strip	Barrier Tube Dimension	A	B	C	D	E	F
15314	6.5'	3/4"	2.0"	2.0"	2.0"	1.0"	4.0"	0.67"

Plastic Foam Board Clips

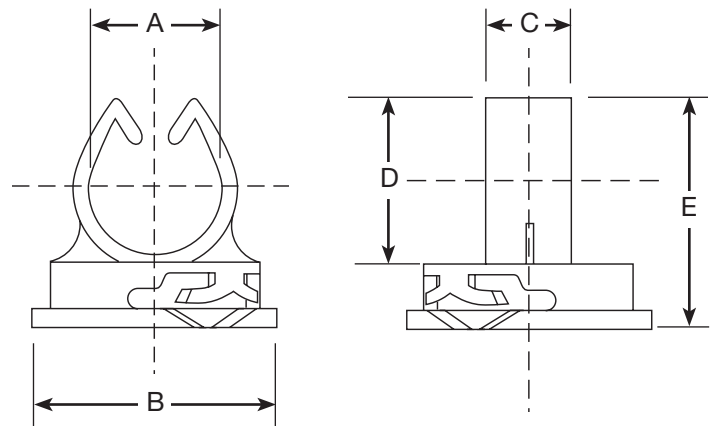
Part Number: 15302
 Normal Uses: Attaching ViegaPEX Barrier tubing to rigid foam board insulation
 Tubing Compatibilities: ½", ⅝" ViegaPEX Barrier tubing
 Material Makeup: Plastic
 Package Quantity: 100 clips



Part Number	A	B	C	D	E	F	G
15302	0.75"	.875"	1.50"	0.56"	2.0"	1.0"	1.0"

Wire Mesh Clip

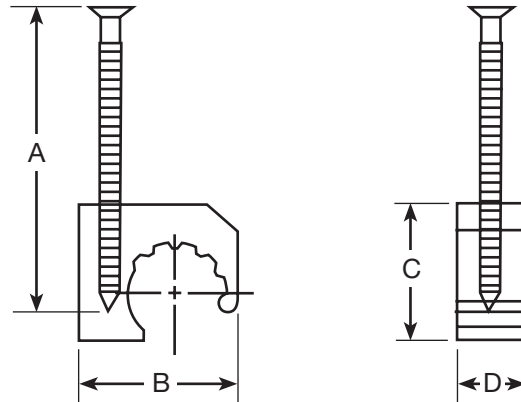
Part number: 15301
 Normal Uses: Attaching ViegaPEX Barrier tubing to wire mesh
 Tubing Compatibilities: ½", ⅝" ViegaPEX Barrier tubing
 Material Makeup: Plastic
 For wire diameter: ⅛" to ⅜"
 Package Quantity: 100 clips



Part Number	A	B	C	D	E
15301	0.75"	1.625"	0.56"	1.0"	1.5"

J-clamp

Part Numbers: 52000, 52020, 52040, 52060
 Normal Uses: Attaching ViegaPEX Barrier tubing to wood surfaces
 Tubing Compatibilities: 3/8", 1/2", 3/4", 1"
 Material Make up: Plastic clip with ring shank steel nail
 Package Quantity: 100 J-clamps



Part Number	PEX Tubing Size	A	B	C	D
52000	3/8"	1.60"	0.90"	0.80"	0.40"
52020	1/2"	1.60"	1.10"	0.90"	0.40"
52040	3/4"	2.13"	1.30"	1.20"	0.42"
52060	1"	2.38"	1.70"	1.50"	0.50"

This document subject to updates. For the most current Viega technical literature please visit www.viega.us.
 Click Services -> Click Electronic Literature Downloads -> Select Product Line -> Select Desired Document

Viega LLC, 100 N. Broadway, 6th Floor • Wichita, KS 67202 • Ph: 800-976-9819 • Fax: 316-425-7618