



Cinch®

Under-Mount Kitchen Sink

11723

Features

- No faucet holes; requires wall- or counter-mount faucet.
- 9" (229 mm) depth provides generous workspace.
- 3-5/8" (92 mm) drain opening.
- Stainless steel with luster finish.

Material

- Premium 18-gauge stainless steel.

Installation

- Undermount.

Recommended Products/Accessories

- 7400 Sink Strainer
- 15288 Sink Rack
- 15289 Sink Rack
- K-23726 Drain treatment
- K-23729 Stainless steel cleaner

Included Components

- Product consists of:
- 91915 Hardware Kit

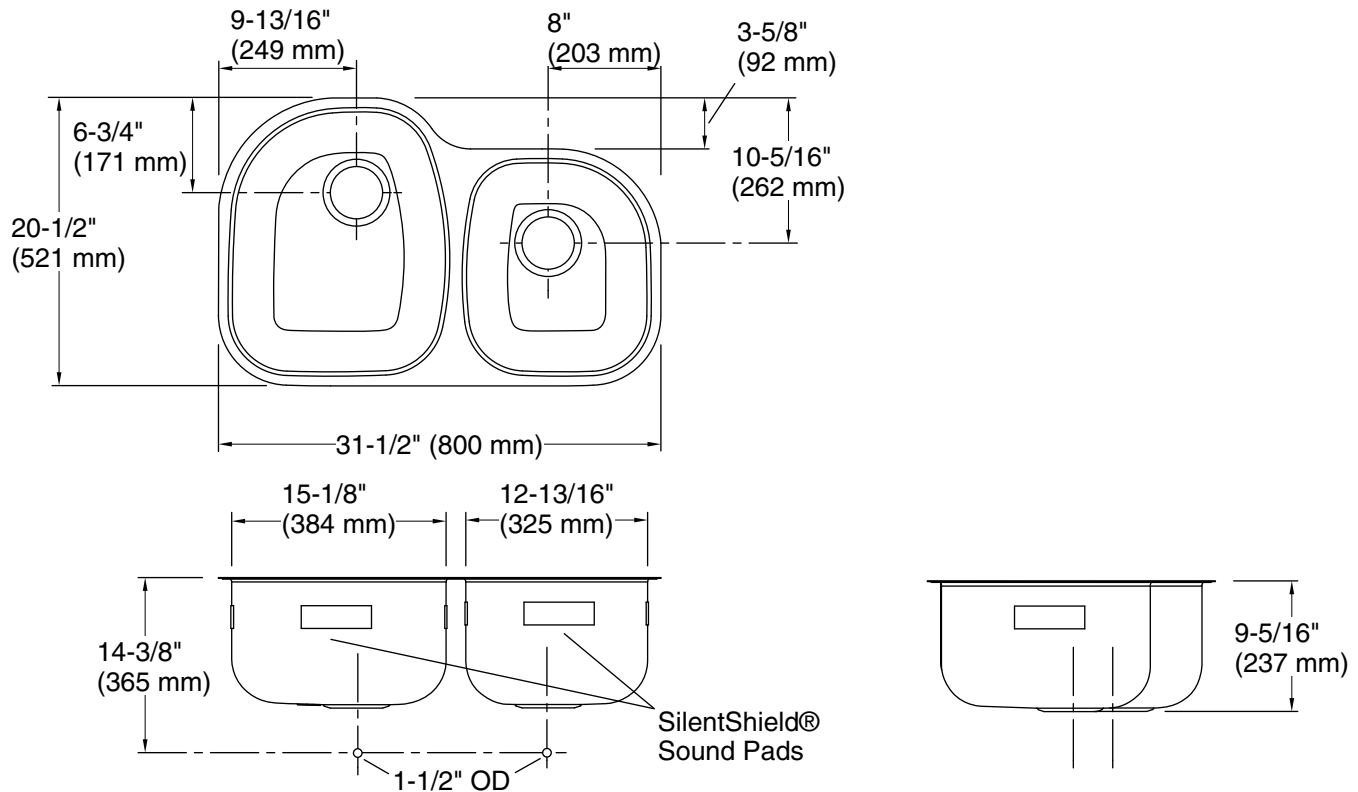


Codes/Standards

ASME A112.19.3/CSA B45.4

STERLING® Warranty - Stainless Steel Sinks

See website for detailed warranty information.



Technical Information

All product dimensions are nominal.

- Bowl configuration: Off-set Large/small
- Installation: Under-mount
- Bowl area (Left): Length: 15-1/8" (384 mm)
Width: 18-1/2" (470 mm)
Bowl depth: 9-5/16" (237 mm)
Water depth: 9-5/16" (237 mm)
- Bowl area (Right): Length: 12-13/16" (325 mm)
Width: 14-7/8" (378 mm)
Bowl depth: 9-5/16" (237 mm)
Water depth: 9-5/16" (237 mm)
- Drain hole: 3-5/8" (92 mm)
- Template: 1105667-7, required, included

Notes

- Install this product according to the installation instructions.
- Measure your actual product for roughing-in details.