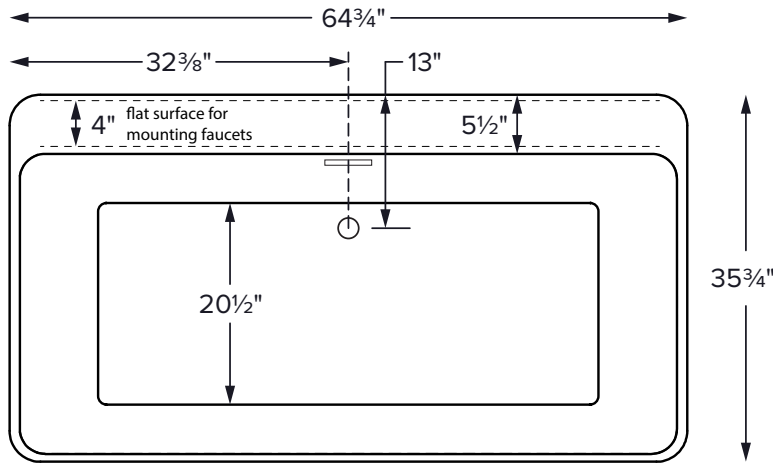


Georgette

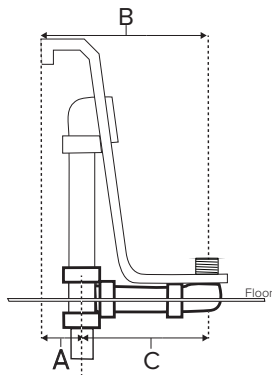


| | | |
|--|----------|-------------------|
| 64.75" x 35.75" x 22" | | |
| FREESTANDING 75 gal to overflow | | |
| Acrylic CXL™ | | DoloMatte™ |
| 120 lbs / 54 kg | <SOAKER> | 135 lbs / 61 kg |
| Filling this tub to the maximum may require an above average size or dedicated water heater. | | |



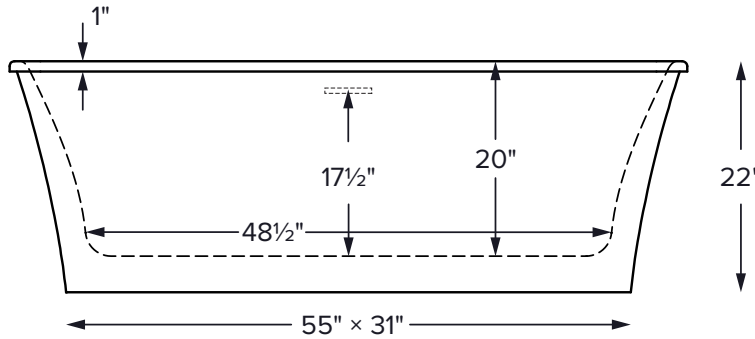
Drain Rough-In Measurements

| A | B | C |
|----|-----|----|
| 7" | 13" | 6" |



Features a 4"-wide flat deck surface on the drain side for mounting faucetry.
 The drain and overflow assembly is concealed between the walls of the tub, eliminating the need for an exposed drain kit.

NOTE: Tub includes an access panel (standard), for installation of valves and toe tap drain assembly. Depending on how the tub is positioned, the panel may be visible.



ELECTRICAL COMPONENTS & SPECIFICATIONS

| Hydrotherapy Package | Components Included | 110V GFCI |
|----------------------|---------------------|-----------|
| Air Massage | heated blower | 1-15 amp |

Electrical requirements may change with the addition of optional therapy components. See specific [option details](#) or [installation information](#).
 CSA Certified C/US; ANSI Z124.1 and ANSI 112.19.7

IMPORTANT ORDERING & INSTALLATION INFORMATION:

- Before ordering or installing, please consider future access to equipment.
- This tub comes equipped with an access panel to facilitate installation of valves and toe tap drain.
- Tub features linear Slim-Line integrated overflow with toe tap drain.
- Drain installation requires below floor rough-in.
- Air baths require job site preparations for remote mounting the blower.
- Hydrotherapy equipment may ship loose for remote installation depending on tub model. See package content on the following page for details.
- Radiance placed on floor locations will affect placement of air jets.
- All tubs are in accordance with CSA B45.5/IAPMO Z124 standard and compliant with ASTM C 1028-07 coefficient of friction. Dolomatte meets ANSI A137.1/A326.3 coefficient of friction and AS HB198:2014 pendulum slip resistance testing.

- Before discarding tub packaging, check for accessories that may be inside.
- All product measurements are ±1/2".
- Specifications and configurations are subject to change without notice.
- Measurements herein supersede all others published prior to publication date below.

CSA # MTDS- 551
 CSA # MTDS- 551DM

See the Installation & Operation Manual for more details.
 MTI's Customer Service: Monday-Friday 8am-6pm EST
800-783-8827 or service@mtibaths.com

©2022 by MTI Baths, Inc. Modification Rights Reserved



Georgette
64.75" x 35.75" x 22"

| Hydrotherapy Packages | Package Contents | Acrylic CXL™ | | DoloMatte™ | |
|-----------------------|--|--------------|---------|--------------|---------|
| | | Part # | MSRP | Part # | MSRP |
| Soaker | Soaking bath - no jets; includes a pre-leveled foam base. White Slim Line overflow and Toe-Tap drain standard; chrome, brushed nickel, and polished nickel available upon request. | TSCOS551 | \$4,000 | TSCOS551DM | \$4,825 |
| Air Massage | 20 air jets, heated air blower, pre-leveled foam base. White Slim Line overflow and Toe-Tap drain standard; chrome, brushed nickel, and polished nickel available upon request. Blower and control boxes must be remote located. | TSCOAST551 | \$7,475 | TSCOAST551DM | \$8,300 |

RECOMMENDED SENSORY THERAPIES

Chromatherapy

(LE) **\$800** underwater lighting
2 LED lights included

Audiotherapy

(STEREOBT) **\$1,390** 2 transducers
with bluetooth and amplifier
(BTREMOTE) **\$600** bluetooth remote

(STEREOH202) **\$1,575** 4 transducers
amplifier not included

Thermaltherapy

(RAD100) **\$1,595** Radiance®
2 heated zones included

| Options <i>Must be ordered at time of purchase</i> |
|--|
| Standard Colors White (CWH) DoloMatte available in matte white only. Biscuit (CBS) Not available for DoloMatte. <i>If ordering Biscuit, you must select a drain kit in Chrome, Brushed Nickel or Polished Nickel.</i> |
| Textured Bottom (TXTBTM) no charge |
| Virtual Spout high-flow integrated tub filler (FPMJ) \$450 |
| Grab Bars - 9" Curved, set of 2 Acrylic - color-matched with tub standard colors only (GB) \$330 Metal - Chrome (GBMC), Brushed Nickel (GBMBN) \$360 |
| Decorative Towel Bar Chrome (CHTOWEL) \$545 , Brushed Nickel (BNTOWEL) \$545 |
| Drain Kits |
| Toe-Tap with Slim-Line Integrated Overflow White (SLOTWH) included Chrome (SLOTCH) no charge Brushed Nickel (SLOTBN) no charge Polished Nickel (SLOTPN) no charge |

| Accessories |
|--|
| Pillows from \$180 |
| Teak Bath Mat (TKMAT3018) \$815 <i>Custom sizes also available. Contact MTI for details and pricing.</i> |
| Teak Tub Tray Slatted (TK-TRAY1) \$500 Solid (TK-TRAY2) \$570 |
| Floor-Mounted High-Flow Tub Filler two designs available Contemporary Chrome (FILLC) \$1,480 Brushed Nickel (FILLBN) \$1,710 Traditional Chrome (FILLTC) \$1,505 Brushed Nickel (FILLTBN) \$1,745 |
| Faucet Stand SculptureStone® Standard Small 3-hole capacity 14¼" w x 21¾" h Matte (STAND) \$725 Large 5-hole capacity 22" w x 21¾" h Matte (STANDL) \$855 +\$430 gloss finish upcharge (SSGLOSSNKN) |



Inside view of tub