

SharkBite Max™

90° Elbow

SharkBite Max™ allows users to connect pipe with ease - no tools needed. This new design features a stainless steel retainer for extra strength, higher pressure ratings (400 psi) and a lower insertion effort than previous versions of SharkBite Brass Push to-Connect fittings. SharkBite Max fittings do not require a PEX stiffener and are compatible with PEX, copper, CPVC, PE-RT and HDPE*.

Applications

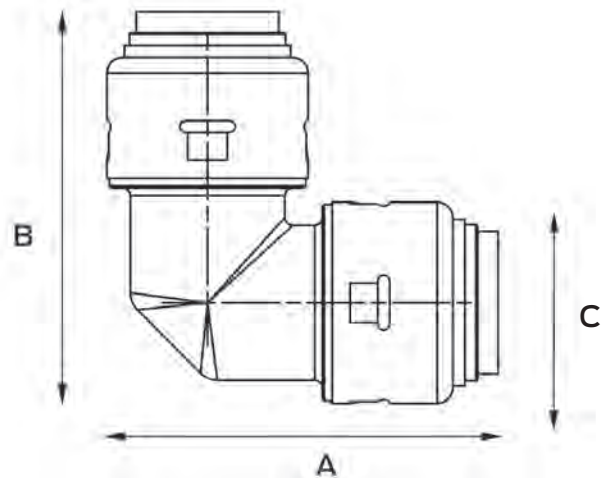
Residential and commercial potable water, recirculation, hydronic heating/cooling (up to 50% glycol concentration) and direct burial (wrapping required).

Specifications Data

Materials	
Body	Lead-Free DZR Brass
O-ring	EPDM
Steel Retainer	304 Stainless Steel
Grab Ring	316 Stainless Steel

Pipe Insertion Depth	
Fitting Size	Insertion Depth
1/2"	1.00 in.
3/4"	1.25 in.

Performance	
Max Working Pressure	
Max Pressure	400 psi
Max Temperature	200°F (93°C)



Dimensions (Inches)				
Part #	Size	A	B	C
UR248	1/2"	1.9	1.9	1.0
UR256	3/4"	2.5	2.5	1.3

Certifications & Listings

ASSE 1061, CSA B125.3, NSF/ANSI 14, NSF/ANSI/CAN 61, NSF/ANSI/CAN 372, ASTM E84, CAN/ULC S102.2, UL 263, ASTM E119, CAN/ULC S101

For listing information, please contact Customer Service

* HDPE installations must use a tube stiffener. Sold separately by HDPE manufacturer.

Product Submittal	
Name	
Date	
Architect/Owner	
Contractor	
Tag	
Notes	