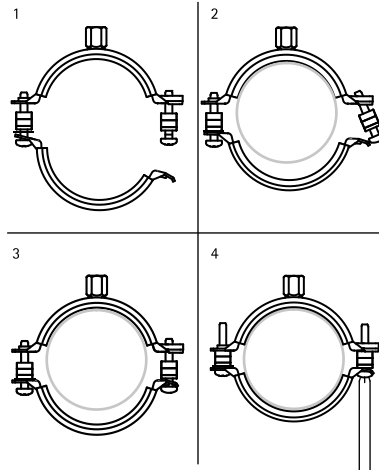
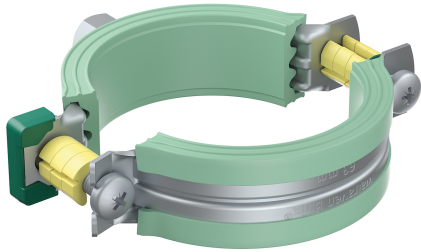


Bifix® 5000 G2 (BUP1000)

(A 25 200)

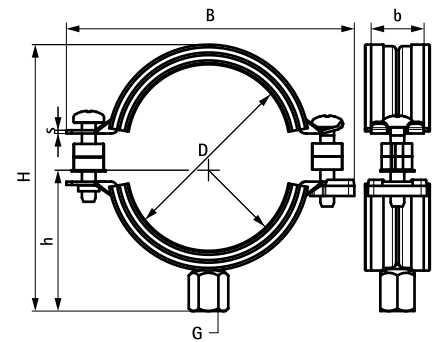
for plastic pipes 16.0 - 168.0 mm

3/8", 3/8" - 1/2"



Features and benefits

- two-screw clamp
- with quick locking system
- removable spacer washers allow the sliding or gripping of the pipe within the clamp
- material: steel
- surface protection:
 - product is part of the Walraven BIS UltraProtect® 1000 system
 - suitable for in and outdoor applications
 - stands min. 1,000 hours salt spray test (max. 5% red rust) according to ISO 9227
- noise insulating lining, EPDM rubber, green
- lining: very suitable for applications with plastic pipes
- inner part of lining is flush to improve sliding of pipe in clamp
- age resistant lining
- sound insulating lining according DIN 4109



Part No.	D (mm)	D / CTS (")	D / IPS (")	G	B	H	h	b x s (")	F _{a,z} (lbf)	Pack 1
CR3189019	16.0	1/2	1/4	3/8"	2.4803	1.6968	0.9173	0.7874 x 0.0492	130	50
CR3189023	20.0	3/4	1/2	3/8"	2.6771	1.8937	0.9960	0.7874 x 0.0492	130	50
CR3189028	25.0	1	3/4	3/8"	2.9133	2.1299	1.1141	0.7874 x 0.0492	130	50
CR3189039	32.0	1 1/4	1	3/8"	3.3070	2.3307	1.3110	0.7874 x 0.0492	130	50
CR3189045	40.0	1 1/2	1 1/4	3/8"	3.5826	2.6102	1.4488	0.7874 x 0.0492	130	50
CR3189052	47.9	-	1 1/2	3/8"	3.8188	2.8937	1.5669	0.7874 x 0.0492	130	50
CR3189058	50.0	2	-	3/8"	4.0944	3.0708	1.7047	0.7874 x 0.0492	130	50
CR3189064	60.0	-	2	3/8"	4.2913	3.3307	1.8031	0.7874 x 0.0590	130	50
CR3189070	63.0	2 1/2	-	3/8"	4.6456	3.5905	1.9685	0.7874 x 0.0590	130	50
CR3189079	75.0	3	2 1/2	3/8"	4.9212	3.8267	2.1141	0.7874 x 0.0590	130	50
CR3189105	90.0	-	3	3/8" - 1/2"	5.8267	5.3740	3.2952	0.9055 x 0.0787	310	25
CR3189115	110.0	-	4	3/8" - 1/2"	6.4409	6.3740	3.6102	0.9055 x 0.0787	310	25
CR3189130	125.0	5	-	3/8" - 1/2"	7.1102	6.9685	3.9448	0.9055 x 0.0787	310	25
CR3189160	160.0	6	-	3/8" - 1/2"	8.2125	7.9488	4.4960	0.9055 x 0.0787	310	10
CR3189169	168.0	-	6	3/8" - 1/2"	8.8543	8.6574	4.7125	0.9842 x 0.0984	380	10

The max. allowed load (F_{a,z}) is calculated using specific statistical methods related to the breaking load, taking into account a deflection of 1.5 mm or 2% of the maximum nominal clamp diameter.