

# ELKAY<sup>®</sup>

## SPECIFICATIONS

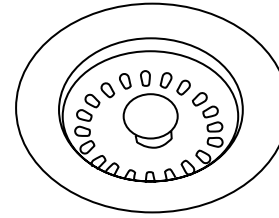
### Sink Accessories

#### Models LKS35 Series Drain and LKD35 Series Disposer Flange Fitting

#### GENERAL

**LKS35** Polymer drain outlet fitting with removable basket strainer with rubber stopper. Designed to fit 3-1/2" (89mm) drain opening with an overall flange size of 4-1/2" (114mm).

**LKD35** Polymer disposer flange fitting with removable basket strainer with rubber stopper. Designed to snap over the most popular 3-1/2" (89mm) drain opening disposers. Overall flange size is 4-1/2" (114mm).

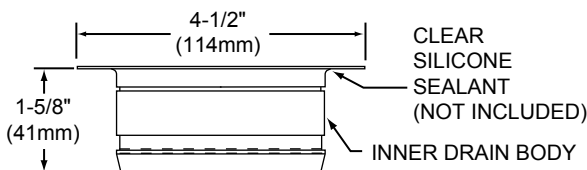
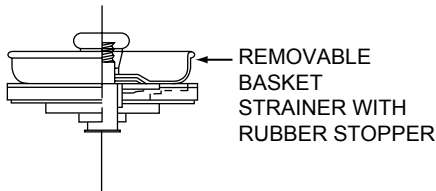
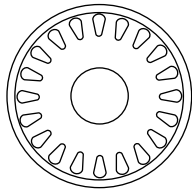
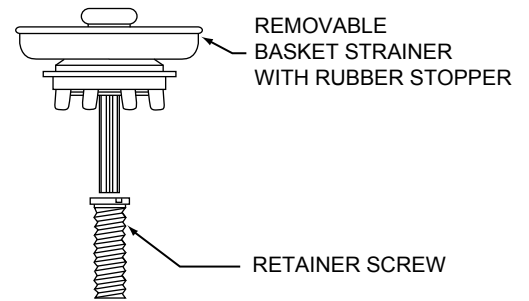
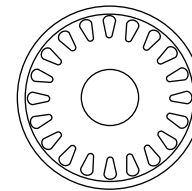


Model LKS35/LKD35

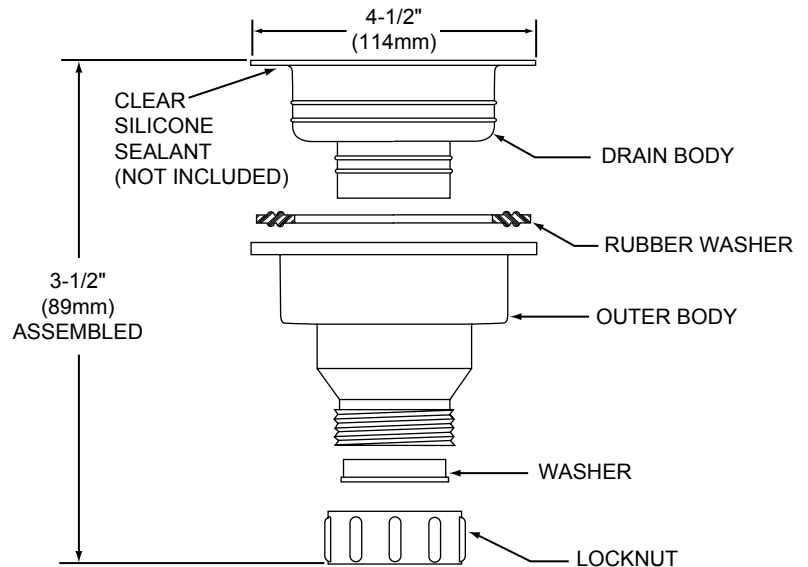
#### MODELS

**LKS35BK** Black color.  
**LKS35BQ** Bisque color.  
**LKS35CW** Cameo White color.  
**LKS35GW** Glacier White color.  
**LKS35MC** Mocha color.  
**LKS35WH** White color.

**LKD35BK** Black color.  
**LKD35BQ** Bisque color.  
**LKD35CW** Cameo White color.  
**LKD35GW** Glacier White color.  
**LKD35MC** Mocha color.  
**LKD35WH** White color.



Model LKD35 Series Illustrated



Model LKS35 Series Illustrated

In keeping with our policy of continuing product improvement, Elkay reserves the right to change product specifications without notice. Please visit [elkay.com](http://elkay.com) for the most current version of Elkay product specification sheets.

This specification describes an Elkay product with design, quality, and functional benefits to the user. When making a comparison of other producers' offerings, be certain these features are not overlooked.