

SUBMITTAL SHEET

| | |
|-------------------|-------------|
| JOB NAME | ITEM TAG |
| JOB LOCATION | PART NUMBER |
| CONTRACTOR | DATE |
| ENGINEER APPROVAL | DATE |

CPVC STOP VALVE

Model S-615

Working Pressure, Non Shock (PSI)

Cold working pressure (CWP): 150 @ 72 F

Saturated steam (WSP): Not recommended for steam service

Maximum service temperature: 180 F



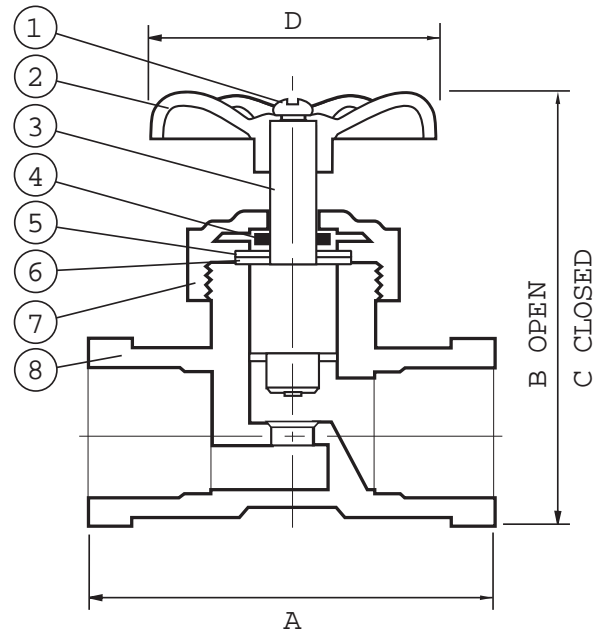
Pictured S-615

MATERIAL SPECIFICATION

| PART | MATERIAL | SPECIFICATION |
|------|-------------|------------------------------|
| 1 | Screw | ZINC PLATED STEEL ? |
| 2 | Hand wheel | Polypropylene ? |
| 3 | Stem | Cpvc ASTM D1784 |
| 4 | O-Ring | EPDM Rubber commercial grade |
| 5 | Hard washer | CELCON ? |
| 6 | Washer | EPDM Rubber commercial grade |
| 7 | Bonnet | CPVC ASTM D1784 |
| 8 | Seat seal | POLYAMIDE NYLON 12 ? |

DIMENSIONS

| Size | A | B | C | D |
|------|------|------|------|------|
| 1/2" | 2.50 | 3.68 | 3.42 | 2.05 |
| 3/4" | 2.68 | 3.78 | 3.50 | 2.05 |



Pictured S-615
Cut-away