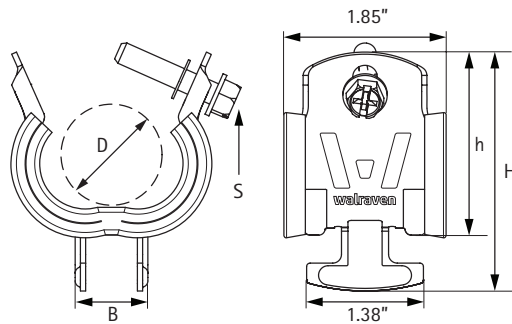


W2000 Cushion Clamp



Product specifications:

- For use with metal pipes
- Patented one piece design means no loose parts
- Easier, faster, safer - installs with one hand
- 3 way screw head: Phillips, flat and hex
- Unique design allows one clamp to fit multiple pipe sizes - meaning less items to stock
- Noise and vibration reducing lining according to DIN EN ISO 3822-1
- EPDM rubber lining protects against galvanic corrosion
- W Series Clamps are boxed for easy handling - no more bags
- Surface is treated with high grade Zn-Mg based coating (withstands a salt spray corrosion test of at least 600 hours)
- Test Reports: Strength, Fire and Smoke: UL 1565 Listed, Noise emission: 2016-SG-Bauakustik-1647-001-16
- Materials: pre-galvanized steel 1.0242, age resistant lining: EPDM rubber



Item number	D / CTS (inches)	D / ACR (inches)	D / IPS (inches)	D (mm)	B (inches)	H (inches)	h (inches)	S (inches)	Fa,z (lbs)	Items per pkg.
2025004	1/4	3/8	-	9-10	0.85	2.16	1.50	1/4	-	50
2025006	3/8	1/2	-	11-13	0.85	2.16	1.50	1/4	200	50
2025008	1/2	5/8	1/4	14-16	0.85	2.16	1.50	1/4	200	50
2025010	5/8	3/4	3/8	17-19	0.85	2.32	1.65	1/4	220	50
2025012	3/4	7/8	1/2	20-22	0.85	2.44	1.77	1/4	220	50
2025014	1	1-1/8	3/4	25-29	0.85	2.71	2.09	1/4	400	50
2025016	1-1/4	1-3/8	1	32-35	0.79	2.91	2.28	1/4	400	50
2025018	-	1-1/2	-	37-40	0.79	2.91	2.28	1/4	400	50
2025020	1-1/2	1-5/8	1-1/4	40-43	0.79	3.19	2.56	5/16	400	25
2025022	-	-	1-1/2	48-50	0.75	3.50	2.87	5/16	400	25
2025024	2	2-1/8	-	54-56	0.79	3.70	3.07	5/16	400	25
2025026	-	-	2	60-63	0.75	4.05	3.46	5/16	400	25

Product Submittal	
Job Name:	
Date:	
Part No.	Qty:
Architect / Owner:	
Contractor:	
Notes:	

THE INFORMATION CONTAINED IN THIS SUBMITTAL SHEET IS PROPRIETARY TO WALRAVEN, INC. AND IS SUBJECT TO CHANGE WITHOUT NOTICE. THIS INFORMATION MAY NOT BE REPRODUCED IN PART OR WHOLE WITHOUT WRITTEN AUTHORIZATION FROM WALRAVEN, INC.

