



## Tub and Shower

Brass body diverter valve

**Model No: 061058A**

### **COMPLIES WITH:**

- Lever handle ADA compliant and meets Handicapped Accessibility Standard ANSI 117.1 of less than 5 lbs. handle operating force
- CSA certified.
- Complies to ANSI/ASME Standard A118.12.1M.
- (Contact Delta Representative for State and/or Local Approvals)



### **SPECIFICATION:**

- Brass body diverter valve
- ADA compliant lever handle
- Polished chrome plated metal trim

### **OPERATION:**

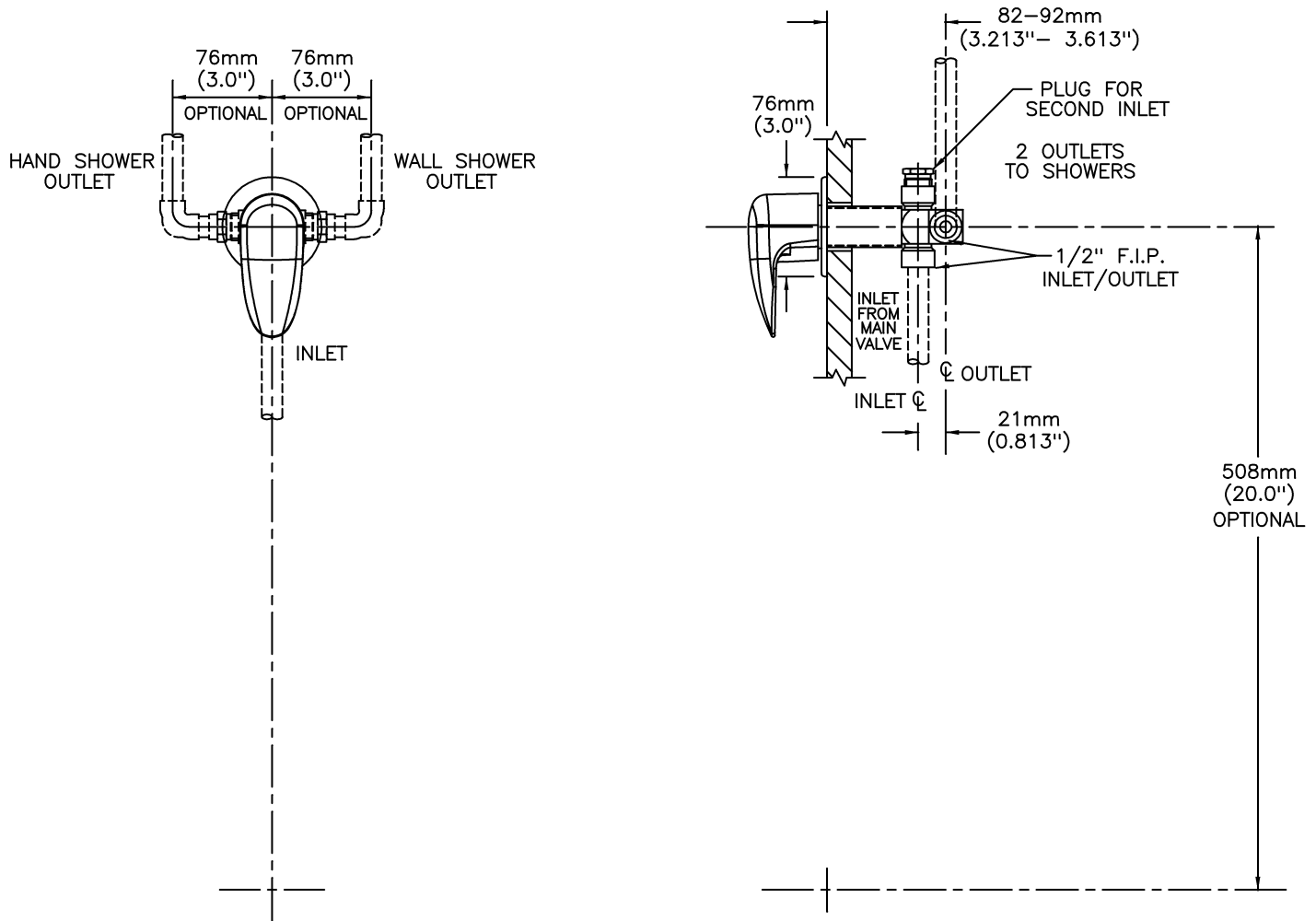
- Not Available

***(Dimensional drawing on following page)***

Delta reserves the right (1) to make changes to specifications and materials, and (2) to change or discontinue models, both without notice or obligation. Dimensions are for reference. Measurement may vary plus or minus 6mm(0.25"). Mounting locations are suggested only. Check with local codes for requirements in your area. This spec was produced October 03, 2017.

Delta Faucet Company - 55 East 111th St. - Indianapolis, Indiana, USA 46280 - (317) 848-1812  
Delta Faucet Canada - 395 Matheson Blvd E - Mississauga, Ontario, Canada L4Z 2H2 - (905) 712-3030

Model No: 061058A



Delta reserves the right (1) to make changes to specifications and materials, and (2) to change or discontinue models, both without notice or obligation. Dimensions are for reference. Measurement may vary plus or minus 6mm(0.25"). Mounting locations are suggested only. Check with local codes for requirements in your area. This spec was produced October 03, 2017.

Delta Faucet Company - 55 East 111th St. - Indianapolis, Indiana, USA 46280 - (317) 848-1812  
 Delta Faucet Canada - 395 Matheson Blvd E - Mississauga, Ontario, Canada L4Z 2H2 - (905) 712-3030