

Viega® Butterfly Valve

Model 2873.81

Description

- Ductile iron body
- Lug body is Polyurethane coated
- Anti-blowout stainless steel shaft
- Downstream dismantling allowed
- EPDM Liner
- Sizes 2½" and 3" - 4 bolt pattern flanges
- Size 4" - 8 bolt pattern flanges
- Class 150

Features

- Spheroidal graphite cast iron body
- Lug body is Polyurethane coated
- 316 Stainless Steel disc
- Anti-blowout stainless steel shaft
- Downstream dismantling allowed
- Bi-directional, can be mounted in all positions
- ISO 5211 flange type F05 flat head
- Conforms to MSS-SP67 and MSS-SP25

Ratings

- Temperature range: 0° – 250°F
- Max. Operating Pressure: 200 PSI

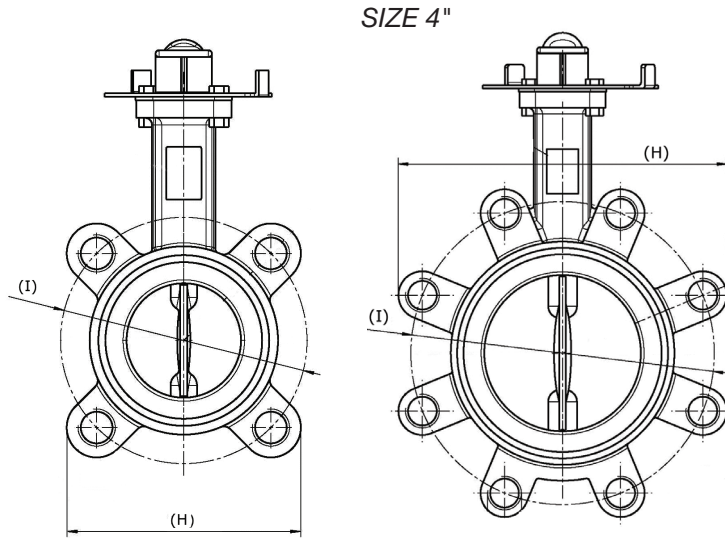
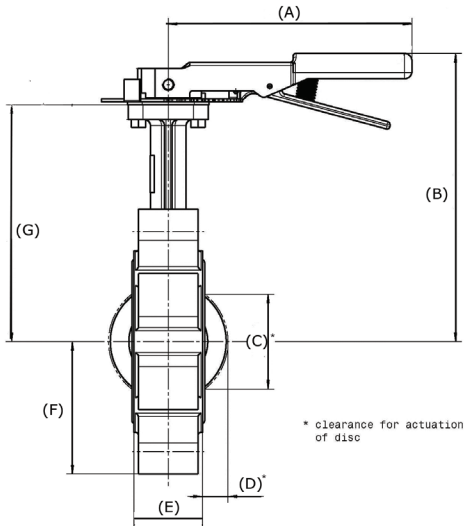
Standard Variants

- Pneumatic Actuator: Actair / Dynactair
- Electric Actuator: Various Manufacturers
- Limit Switches: Monitor
- Positioner: Siemens

Weight	
Size	lbs.
2½"	7.78
3"	8.46
4"	12.79

* The indicated weights are those of the unit valve plus handle.





Butterfly Valve Dimensions										
Part No	Size	A (in)	B (in)	C (in)	D (in)	E (in)	F (in)	G (in)	H (in)	I (in)
22074	2½"	6.50	7.40	2.17	0.43	1.81	2.64	5.35	5.20	5.51
22075	3"	6.50	7.64	2.80	0.67	1.81	2.82	5.59	7.01	5.98
22076	4"	9.06	8.47	3.54	0.91	2.05	3.62	6.42	8.27	7.48

Operating Torque Data	
Size	ft./lbs.
2½"	22.12
3"	29.50
4"	44.25

Bolt and Washer Grade 5 Zinc-Plated Blue Chromated	
Part No	Size
19768	5/8" x 1½"
19773	5/8" x 1 5/8"
19778	5/8" x 1 3/4"

* Lubricated
 *The safety coefficient to define the adapted actuator is included in the torque value.

* ASME B18.2.1 -- 1996

Hydraulic Characteristics	
Size	Cvo
2½"	280
3"	475
4"	760

Bolt Tightening	
Part No	Recommended Max. Bolt Torque (ft/lbs)
19768	75
19773	
19778	

This document subject to updates. For the most current Viega technical literature please visit www.viega.us.
 Click Services -> Click Electronic Literature Downloads -> Select Product Line -> Select Desired Document