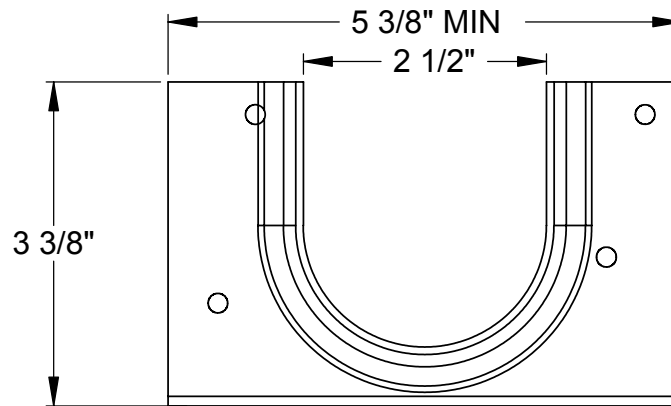
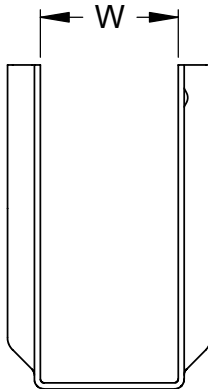
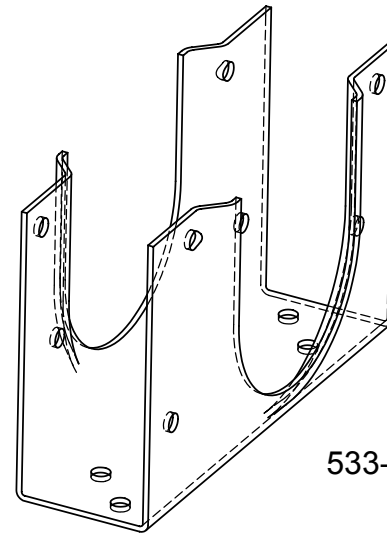
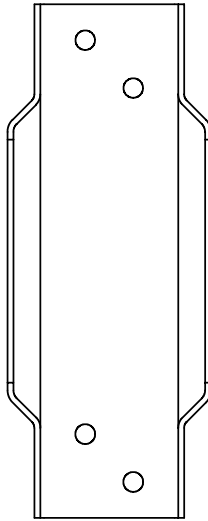


THE INFORMATION CONTAINED IN THIS DRAWING IS THE SOLE PROPERTY OF GREENFIELD MFG CO ANY REPRODUCTION IN PART OR WHOLE WITHOUT THE WRITTEN PERMISSION OF GREENFIELD MFG CO IS PROHIBITED.



NOT A TOTAL REPLACEMENT FOR MATERIAL REMOVED

NOT FOR LOAD BEARING WALLS

Made in USA

FIG	W WIDTH	MAX LOAD	NAILS
533-1	1.50	500 LBS	12-10d X1.5
533-2	3.00	600 LBS	12-10d
533-3	4.50	600 LBS	14-10d

UNLESS OTHERWISE SPECIFIED DIMENSIONS ARE IN INCHES TOLERANCES ARE: FRACTIONS DECIMALS ANGLES + .XX+ .XX + 1 .XXX+.XXX	CAD GENERATED DRAWING, DO NOT MANUALLY UPDATE		GREENFIELD MFG CO	
	APPROVALS	DATE	920 LEVICK ST , PHILA.,PA. 19111	
	DRAWN EG	1/06	P/N FIG 533 STUD SHOE	
MATERIAL	CHECKED SB	1/06	REV c	
FINISH --	DO NOT SCALE DRAWING		SCALE	STDSH1C.SLDRW SHEET OF