

# BRIZO®

109231



X00109231

SINGLE HANDLE BATHROOM FAUCET

LLAVE PARA BAÑO DE MANILLAR INDIVIDUAL

ROBINET DE SALLE DE BAIN À UNE POIGNÉE

Model Number: \_\_\_\_\_  
Número del modelo  
Numéro de modèle

To find model number, look on the water line label underneath sink.  
Para encontrar el número del modelo, lea la etiqueta en la línea de agua ubicada debajo del fregadero  
Pour trouver le numéro du modèle, regardez sur l'étiquette fixée au tube d'alimentation sous l'évier.

Date of Purchase: \_\_\_\_\_  
Fecha de compra  
Date d'achat

Register Online  
Regístrese en línea  
S'enregistrer en ligne  
[www.brizo.com/customer-support/product-registration](http://www.brizo.com/customer-support/product-registration)

To reference replacement parts and access additional technical documents and product info, visit [www.brizo.com](http://www.brizo.com)

Para referencia sobre las piezas de repuesto y acceder a documentos técnicos adicionales e información del producto, visite [www.brizo.com](http://www.brizo.com)

Pour obtenir la référence des pièces de rechange ainsi que pour avoir accès à d'autres documents techniques et renseignements sur le produit, allez à [www.brizo.com](http://www.brizo.com)

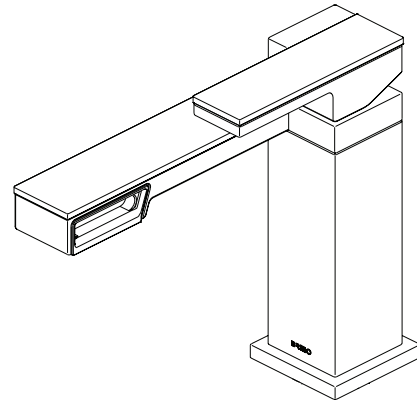


Image is for reference only.  
La imagen es sólo para referencia.  
L'image est fournie à titre indicatif seulement.



1-877-345-BRIZO (2749)  
[www.brizo.com/customer-support](http://www.brizo.com/customer-support)

Read all instructions prior to installation.

### ⚠ CAUTION

Failure to read these instructions prior to installation may result in personal injury, property damage, or product failure. Manufacturer assumes no responsibility for product failure due to improper installation.

Lea todas las instrucciones antes de hacer la instalación.

### ⚠ ADVERTENCIA

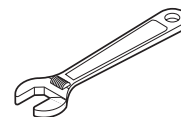
El no leer estas instrucciones de instalación puede resultar en lesiones personales, daños a la propiedad, o falla en el funcionamiento del producto. El fabricante no asume ninguna responsabilidad por la falla del producto debido a una instalación incorrecta.

Veuillez lire toutes les instructions avant l'installation.

### ⚠ AVERTISSEMENT

L'omission de lire les présentes instructions avant l'installation peut entraîner des blessures, des dommages matériels ou le bris du produit. Le fabricant se dégage de toute responsabilité à l'égard d'un bris du produit causé par une mauvaise installation.

You may need:  
Usted puede necesitar:  
Articles dont vous pouvez avoir besoin :



## **Cleaning and Care**

Care should be given to the cleaning of this product. Although its finish is extremely durable, it can be damaged by harsh abrasives or polish. To clean, simply wipe gently with a damp cloth and blot dry with a soft towel.

## **Limpieza y Cuidado de su Llave**

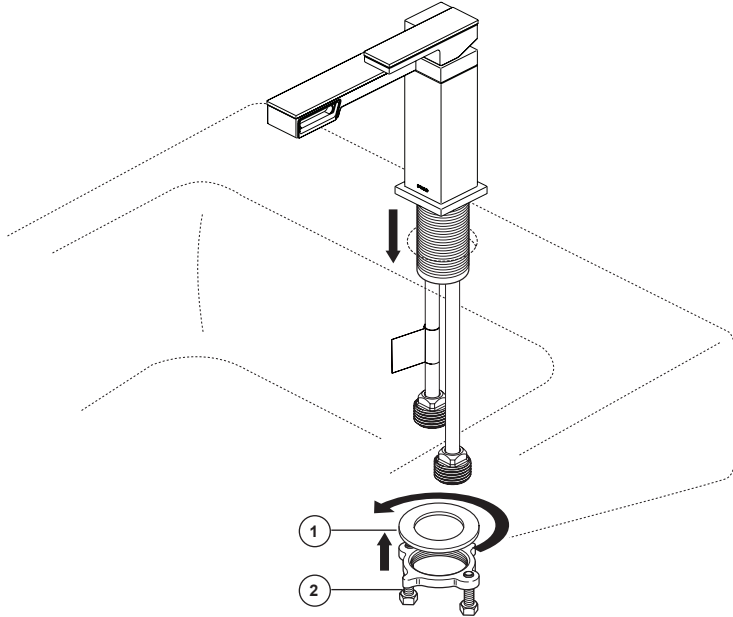
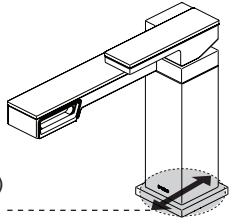
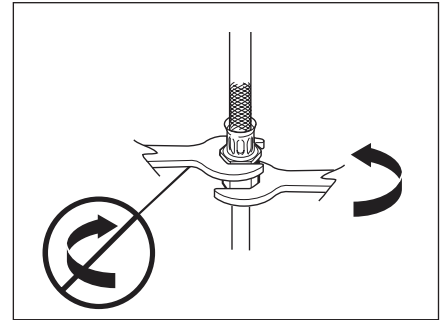
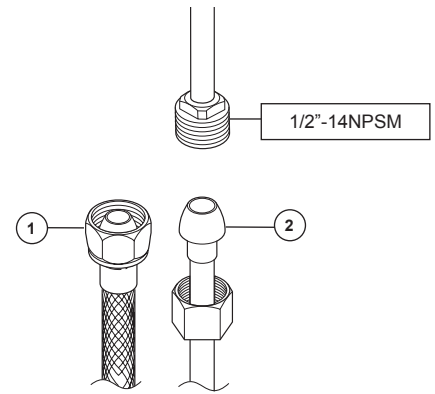
Tenga cuidado al limpiar este producto. Aunque su acabado es sumamente durable, puede ser afectado por agentes de limpieza o para pulir abrasivos. Para limpiar su llave, simplemente frótela con un trapo húmedo y luego séquela con una toalla suave.

## **Instructions de nettoyage**

Il faut le nettoyer avec soin. Même si son fini est extrêmement durable, il peut être abîmé par des produits fortement abrasifs ou des produits de polissage. Il faut simplement le frotter doucement avec un chiffon humide et le sécher à l'aide d'un chiffon doux.

**1**

Min.  
1 1/8" (29.5 mm)  
Diameter Hole

**2**

### Bathroom Faucet Installation

**Note:** When drilling a new hole, Min. 1 1/8" is recommended. Position faucet on sink. Ensuring faucet is centered over hole in sink. **Option:** If surface of sink is uneven, use silicone sealant under the spout base or gasket. Slip mounting washer (1) over shank and secure with mounting nut (2). The screws in the mounting nut can now be tightened, using a phillips screwdriver, to secure.

### MAKE CONNECTIONS TO WATER LINES:

Choose hook-ups for 1/2" IPS connection.  
(1) 1/2" IPS faucet connector  
(2) 3/8" O.D. tubing ball-nose risers.

Use two wrenches when tightening. Do not over-tighten.

### Instalación de la llave de Agua para Lavamanos

**Nota:** Cuando perfora un orificio nuevo, se recomienda Min. 1 1/8". Coloque la llave de agua en el lavamanos. **Opción:** Si la superficie del lavabo es irregular, utilice el sellador de silicona por debajo de la base del surtidor o la junta. Deslice la arandela de montaje (1) sobre el vástago y fíjelo con la tuerca de montaje (2). Ahora los tornillos en la tuerca de montaje se pueden apretar con un destornillador Phillips.

### HAGA LAS CONEXIONES A LAS LÍNEAS DE AGUA:

Elija conexiones para conexiones IPS de 1/2".  
(1) conector de grifo IPS de 1/2"  
(2) 3/8" O.D. tubos risers nariz de bola.

Utilice dos llaves de tuercas cuando apriete. No apriete demasiado.

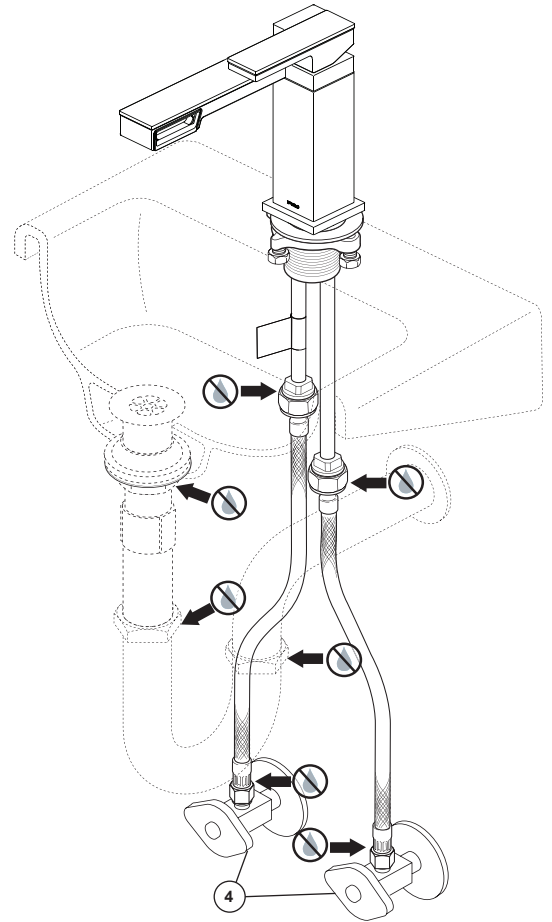
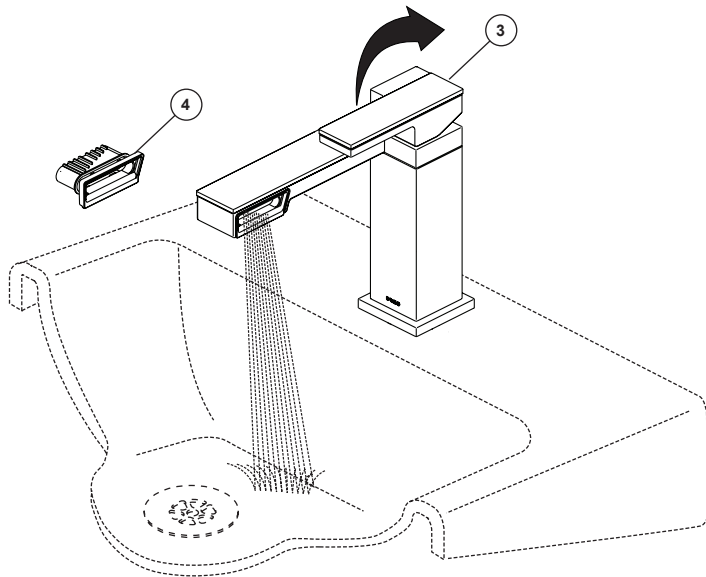
### Installation du robinet de lavabo

**Note :** Si vous devez percer un nouveau trou, un diamètre de Min. 1 1/8 po est recommandé. Positionnez le robinet sur l'appareil sanitaire. **Facultatif :** Utilisez un scellant à la silicone sous la base ou le joint du bec si la surface de l'évier est inégale. Veuillez faire glisser la rondelle de montage (1) sur la tige et la fixer avec l'écrou de montage (2). Vous pouvez serrer les vis de l'écrou de montage à l'aide d'un tournevis cruciforme pour fixer.

### RACCORDEZ LES TUYAUX D'EAU CHAUDE ET D'EAU FROIDE.

Choisissez des raccords pour une connexion IPS 1/2".  
(1) Connecteur de robinet IPS 1/2"  
(2) 3/8" O.D. éleveurs tubulaires à boule.

Utilisez deux clés pour serrer les raccords. Prenez garde de trop serrer.



### Flush the System and Check for Leaks

Remove stream straightener (4) by pulling on both bottom corners at the same time. Turn the hot and cold water supplies fully on. Turn handle (3) to allow both hot and cold water to flow and flush water lines for one minute. **Important: This flushes away any debris that could cause damage to internal parts. Reinstall stream straightener (4).**

Check all connections at arrows for leaks. Retighten if necessary, but do not overtighten.

### Deje Correr el Agua por el Sistema y Examine si hay Filtraciones / Fugas

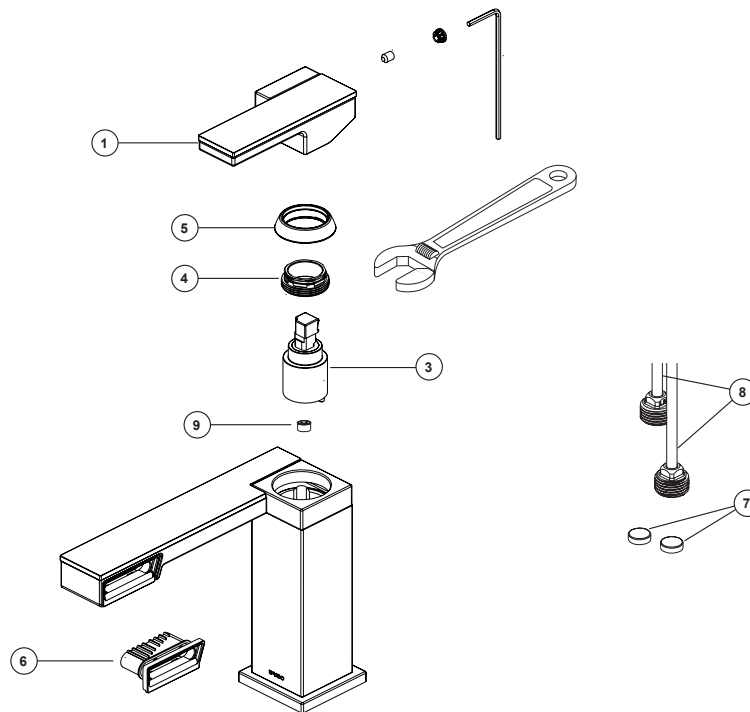
Retire el enderezador del chorro (4) tirando de ambas esquinas inferiores al mismo tiempo. Abra completamente los suministros de agua fría y caliente. Gire la manija (3) para permitir que fluya agua fría y caliente y deje que el agua corra por las líneas de agua un minuto. **Importante: Esto elimina cualquier residuo que pueda causar daño a las partes internas. Vuelva a instalar la plancha de vapor (4).**

Examine todas las conexiones donde señalan las flechas por si hay filtraciones de agua. Apriete de nuevo si es necesario, pero no apriete demasiado.

### Rincez l'installation et vérifiez l'étanchéité

Retirez le concentrateur de jet (4) en tirant sur les deux coins inférieurs simultanément. Ouvrez les robinets d'alimentation en eau chaude et en eau froide à fond. Tournez la manette (3) pour faire couler l'eau chaude et l'eau froide afin de rincer la tuyauterie d'alimentation pendant une minute. **Important : Cette opération sert à évacuer les corps étrangers qui pourraient abîmer les pièces internes. Reposez-les le redresseur de flux (6).**

Vérifiez l'étanchéité de tous les raccords identifiés par une flèche. Resserrez les raccords au besoin, mais prenez garde de trop les serrer.



### Maintenance

#### If faucet leaks from under handle:

Remove handle and pull off trim cap (5). Using a wrench, ensure bonnet nut (4) is tight.

**If leak persists—SHUT OFF WATER SUPPLIES.** Replace valve cartridge (3). When reinstalling parts, make sure bonnet nut (4) is tightened securely with a wrench.\*

**If faucet leaks from spout outlet—SHUT OFF WATER SUPPLIES.** Replace valve cartridge (3). When reinstalling parts, make sure bonnet nut (4) is tightened securely with a wrench.\*

\* **WARNING: Failure to securely tighten bonnet nut with a wrench could result in water damage.**

**Note: Do not attempt to disassemble cartridge (3).** There are no repairable parts inside.

**If water flow from the faucet reduces over time, the flow regulator or supply strainers may have become partially blocked. To clean: SHUT OFF WATER SUPPLIES.**

- A. Remove handle (1) and trim cap (5).
- B. Unscrew bonnet nut (4) and remove valve cartridge (3).
- C. Remove flow regulator (9), remove any debris from flow regulator (9) and reinstall.
- D. Disconnect inlets (8) from supplies lines.
- E. Remove screens (7) from inlets, remove any debris from screens (7) and reinstall.
- F. Reinstall in reverse order.
- G. Remove stream straightener (6) by pulling on both bottom corners and the same time and clean using running water to wash out debris. Reinstall stream straightener (6).
- H. Turn on handle and check spout flow.

### Mantenimiento

#### Si la llave de agua exhibe un flujo muy bajo:

#### Si se filtra el agua por debajo de la llave de agua:

Quite la manija y quite la tapa de accesorio (5). Usando una llave de tuercas, asegúrese de fijar bien tuerca tapa (4) con llave de tuercas.\*

**Si la filtración persiste – CIERRE LOS SUMINISTROS DE AGUA.** Reemplace la válvula de cartucho (3). Cuando esté reinstalando las piezas, asegúrese de fijar bien la tuerca tapa (4) con llave de tuercas.\*

**Si la llave de agua tiene una filtración desde la salida del surtidor – CIERRE LOS SUMINISTROS DE AGUA.** Cambie el cartucho de la válvula (3). Sando una llave de tuercas, asegúrese que la tuerca tapa (4) esté apretada.\*

\***ADVERTENCIA: El no apretar fijamente la tuerca tapa con la llave de tuercas pudiera resultar en daño por el agua.**

**Nota: No trate de desarmar el cartucho (3).** Dentro de este no existen piezas que sean reparables.

**Si el flujo de agua del grifo se reduce con el tiempo, el regulador de flujo o el suministro Es posible que los filtros se hayan bloqueado parcialmente. Para limpiar: CIERRE EL SUMINISTRO DE AGUA.**

- A. Retire la manija (1) y el tapa de accesorio (5).
- B. Desatornille la tuerca tapa (4) y retire el cartucho de la válvula (3).
- C. Retire el regulador de flujo (9), elimine cualquier residuo del regulador de flujo (9) y vuelva a instalarlo.
- D. Desconecte las líneas de tubo (8) de las líneas de suministro.
- E. Retire (7) las líneas de tuberías, elimine cualquier residuo de los filtros (7) y vuelva a instalar.
- F. Vuelva a instalar en orden inverso.
- G. Retire el enderezador del chorro (6) tirando de ambas esquinas inferiores al mismo tiempo y límpiolo dejando que el agua corra para eliminar los residuos. Vuelva a instalar la plancha de vapor (6).
- H. Abra el agua con la manija y verifique el flujo del surtidor.

### Maintenance

#### Si le robinet fuit sous la poignée :

Enlevez la manette et retirez le capuchon de finition (5). À l'aide d'une clé, assurez-vous que l'écrou-chapeau (4) est bien serré.

**Si la fuite persiste – INTERROMPEZ L'ALIMENTATION EN EAU.** Remplacez la cartouche (3). Lors de la repose des pièces, serrez l'écrou-chapeau (4) solidement avec une clé.\*

**Si le robinet fuit par la sortie du bec – INTERROMPEZ L'ALIMENTATION EN EAU.** Remplacez la cartouche (3). Lors de la repose des pièces, serrez l'écrou-chapeau (4) solidement avec une clé.\*

\* **MISE EN GARDE : Le fait de ne pas serrer l'écrou-chapeau solidement peut occasionner une fuite d'eau et des dégâts.**

**Note : Ne tentez pas de désassembler la cartouche (3).** Elle ne contient pas de pièces réparables.

**Si le débit d'eau du robinet diminue au fil du temps, le régulateur de débit ou les tamis d'alimentation peuvent être partiellement obstrués. Pour les nettoyer :**

#### FERMEZ LES ROBINETS D'ALIMENTATION.

- A. Retirez la manette (1) et l'anneau glissant (5).
- B. Desserrez l'écrou-chapeau (4) et retirez la cartouche de soupape (3).
- C. Retirez le régulateur de débit (9), nettoyez-le (9) et reposez-le.
- D. Débranchez les tubes (8) des tuyaux d'alimentation.
- E. Retirez les tamis (7) des tubes, nettoyez-les (7) et reposez-les.
- F. Reposez les pièces dans l'ordre inverse à celui de leur dépose.
- G. Enlevez le concentrateur de jet (6) en tirant sur les deux coins inférieurs simultanément et nettoyez-le à l'eau courante pour enlever les corps étrangers. Reposez-les le redresseur de flux (6).
- H. Tournez la manette et vérifiez le débit à la sortie du bec.

## Limited Warranty on Brizo® Faucets

**Parts and Finish.** All parts (other than electronic parts, air switch power modules, batteries, and parts not supplied by Brizo Kitchen and Bath Company) and finishes of Brizo® faucets purchased from authorized Brizo sellers are warranted to the original consumer purchaser to be free from defects in material and workmanship for as long as the original consumer purchaser owns the home in which the faucet was first installed. For commercial purchasers, (a) the warranty period is ten (10) years for multi-family residential applications and (b) five (5) years for all other commercial uses, in each case from the date of purchase. For purposes of this warranty, the term “multi-family residential application” refers to the purchase of the faucet from an authorized Brizo seller by a purchaser who owns but does not live in the residential dwelling in which the faucet is initially installed, such as in a rented or leased single unit or multi-unit detached home (duplex or townhome), or a condominium, apartment building or community living center. The following installations are not considered multi-family residential applications, are excluded from the 10-year warranty, and are subject to the 5-year warranty: industrial, institutional or other business premises, such as a dormitory, hospitality premises (hotel, motel, or extended stay location), airport, educational facility, long- or short-term healthcare facility (hospital, rehabilitation center, nursing, assisted or staged-care living unit), public space or common area.

**Electronic Parts and Batteries (if applicable).** Electronic parts (other than air switch power modules and batteries), if any, in Brizo® faucets purchased from authorized Brizo sellers are warranted to the original consumer purchaser to be free from defects in material and workmanship for five (5) years from the date of purchase or, for commercial users, for one (1) year from the date of purchase. No warranty is provided on batteries.

**Air Switch Power Module.** The electronic power module of Brizo® air switches purchased from authorized Brizo sellers is warranted to the original consumer purchaser to be free from defects in material and workmanship for two (2) years from the date of purchase or, for commercial users, for one (1) year from the date of purchase.

**What We Will Do.** Brizo Kitchen & Bath Company will repair or replace, free of charge, during the applicable warranty period (as described above), any part or finish that proves defective in material and/or workmanship under normal installation, use, and service. Brizo Kitchen & Bath Company may, in its sole discretion, use new, refurbished or reconditioned parts or products for such repair or replacement. If repair or replacement is not practical, Brizo Kitchen & Bath Company may elect to refund the purchase price in exchange for the return of the product. **These are your exclusive remedies.**

**What Is Not Covered.** Because Brizo Kitchen and Bath Company is unable to control the quality of Brizo products sold by unauthorized sellers, unless otherwise prohibited by law, this warranty does not cover Brizo products purchased from unauthorized sellers (visit Brizo.com to see a list of our Authorized Online Resellers).

Any labor charges incurred by the purchaser to repair, replace, install or remove this product are not covered by this warranty. Brizo Kitchen & Bath Company shall not be liable for any damage to the product resulting from reasonable wear and tear, outdoor use, misuse (including use of the product for an unintended application), freezing water, abuse, neglect, or improper or incorrectly performed assembly, installation, maintenance or repair, including failure to follow the applicable care and cleaning instructions. Customized components purchased by the consumer or commercial user and installed into a Brizo product, and any damage resulting from removal or improper installation of such components, are not covered by this warranty.

Brizo Kitchen & Bath Company recommends using a professional plumber for all installation and repair of faucets. We also recommend that you use only genuine Brizo® replacement parts.

**What You Must Do To Obtain Warranty Service or Replacement Parts.** A warranty claim may be made and replacement parts may be obtained by calling 1-877-345-BRIZO (2749) or by contacting us by mail or online as follows (please include your model number and date of purchase):

**In the United States and Mexico:**  
 Brizo Kitchen & Bath Company  
 55 E. 111th Street  
 Indianapolis, IN 46280  
 Attention: Warranty Service  
<https://www.brizo.com/customer-support/contact-us>

**In Canada:**  
 Masco Canada Limited, Plumbing Group  
 Technical Service Centre  
 350 South Edgeware Road  
 St. Thomas, Ontario, Canada N5P 4L1  
<https://www.brizo.com/customer-support/contact-us>

Proof of purchase (original sales receipt) from the original purchaser must be made available to Brizo Kitchen & Bath Company for all warranty claims unless the purchaser has registered the product with Brizo Kitchen & Bath Company. This warranty applies only to Brizo® faucets installed in the United States of America, Canada, and Mexico.

**Limitation on Duration of Implied Warranties.** Please note that some states/provinces (including Quebec) do not allow limitations on how long an implied warranty lasts, so the below limitations may not apply to you. TO THE MAXIMUM EXTENT PERMITTED BY APPLICABLE LAW, ANY IMPLIED WARRANTY, INCLUDING THE IMPLIED WARRANTIES OF MERCHANTABILITY AND OF FITNESS FOR A PARTICULAR PURPOSE, IS LIMITED TO THE STATUTORY PERIOD OR THE DURATION OF THIS WARRANTY, WHICHEVER IS SHORTER.

**Limitation of Special, Incidental or Consequential Damages.** Please note that some states/provinces (including Quebec) do not allow the exclusion or limitation of special, incidental, or consequential damages, so the below limitations and exclusions may not apply to you. TO THE MAXIMUM EXTENT PERMITTED BY APPLICABLE LAW, THIS WARRANTY DOES NOT COVER, AND BRIZO KITCHEN & BATH COMPANY SHALL NOT BE LIABLE FOR ANY SPECIAL, INCIDENTAL, OR CONSEQUENTIAL DAMAGES (INCLUDING LABOR CHARGES TO REPAIR, REPLACE, INSTALL OR REMOVE THIS PRODUCT), WHETHER ARISING OUT OF BREACH OF ANY EXPRESS OR IMPLIED WARRANTY, BREACH OF CONTRACT, TORT, OR OTHERWISE. BRIZO KITCHEN & BATH COMPANY SHALL NOT BE LIABLE FOR ANY DAMAGE TO THE FAUCET RESULTING FROM REASONABLE WEAR AND TEAR, OUTDOOR USE, MISUSE (INCLUDING USE OF THE PRODUCT FOR AN UNINTENDED APPLICATION, FREEZING WATER, ABUSE, NEGLIGENCE OR IMPROPER OR INCORRECTLY PERFORMED ASSEMBLY, INSTALLATION, MAINTENANCE OR REPAIR, INCLUDING FAILURE TO FOLLOW THE APPLICABLE INSTALLATION, CARE AND CLEANING INSTRUCTIONS. Notice to residents of the State of New Jersey: The provisions of this warranty, including its limitations, are intended to apply to the fullest extent permitted by the laws of the State of New Jersey.

**Additional Rights.** This warranty gives you specific legal rights, and you may also have other rights which vary from state/province to state/province.

This is Brizo Kitchen & Bath Company's exclusive written warranty, and the warranty is not transferable.

If you have any questions or concerns regarding our warranty, please contact us as provided above or visit our website at [www.brizo.com](http://www.brizo.com). © 2022 Masco Corporation of Indiana

## Garantía limitada de los grifos Brizo®

**Piezas y Acabados.** Todas las piezas (excepto los componentes electrónicos, los módulos eléctricos de interruptor de aire, las pilas y partes no suministradas por Brizo Kitchen and Bath Company) y acabados de las llaves de agua/grifo Brizo® comprados de vendedores de Brizo autorizados están garantizados al consumidor comprador original de estar libres de defectos en material y fabricación durante el tiempo que el comprador original sea propietario de la vivienda en la que la llave de agua fue originalmente instalada. Para los usuarios comerciales, (a) el período de garantía es de diez (10) años para aplicaciones en viviendas multifamiliares (apartamentos y condominios y (b) cinco (5) años para todos los demás usos comerciales, en cada caso desde la fecha de compra. Para los propósitos de esta garantía, el término “aplicación multifamiliar residencial” se refiere a la compra del grifo de un vendedor de Brizo autorizado por el comprador propietario, pero que no vive en la vivienda residencial donde inicialmente se instaló la llave de agua, como en una unidad alquilada o arrendada, o unidad o vivienda unifamiliar separada (dúplex o casas adosadas), o un condominio, edificio de apartamentos o centro de vivienda comunitaria. Las siguientes instalaciones no se consideran aplicaciones multifamiliares, están excluidas de la garantía de 10 años y están sujetas a la garantía de cinco años: instalaciones industriales, institucionales u otras instalaciones comerciales, como dormitorios, instalaciones de hotelería (hotel, motel) o una alberga para estadías prolongadas), aeropuerto, centro educativo, centro de atención de salud a corto o largo plazo (hospital, centro de rehabilitación, enfermería, unidad de vivienda asistida o una unidad residencial de cuidado), espacio público o área común.

**Piezas electrónicas y pilas (si aplicable).** Las piezas electrónicas (excepto los módulos de los interruptores de aire y las pilas), si las hay, de esta llave de agua/grifo Brizo® están garantizadas al consumidor comprador original de estar libres de defectos en material y fabricación durante cinco (5) años a partir de la fecha de compra en el caso de los consumidores comerciales, durante un (1) año a partir de la fecha de compra. No ofrecemos garantía en las pilas.

**Módulos del interruptor de aire.** Los módulos eléctricos de los interruptores de aire Brizo® comprados a vendedores autorizados de Brizo están garantizados al comprador consumidor original estar libres de defectos de material y mano de obra durante dos (2) años a partir de la fecha de compra o, para usuarios comerciales, por uno (1) año desde la fecha de compra.

**Lo que hacemos.** La compañía Brizo Kitchen & Bath Company reparará o reemplazará, sin costo alguno, durante el periodo de garantía aplicable (como descrito arriba) cualquier pieza o acabado que demuestre estar defectuosa en material y/o fabricación bajo la instalación, el uso y el servicio normal. Si la reparación o el reemplazo no es práctico, Brizo Kitchen & Bath Company puede optar por reembolsarle el precio de compra a cambio de la devolución del producto. **Estos son sus remedios exclusivos.**

**Lo que no está cubierto.** Debido a que Brizo Kitchen and Bath Company no puede controlar la calidad de los productos Brizo vendidos por vendedores no autorizados, a menos que la ley lo prohíba, esta garantía no cubre los productos Brizo comprados a vendedores no autorizados (visite Brizo.com para ver una lista de nuestros vendedores autorizados en línea).

Cualquier cargo por mano de obra incurrido por el comprador para reparar, reemplazar, instalar o desmontar este producto no está cubierto por esta garantía. Brizo Kitchen & Bath Company no será responsable por cualquier daño al grifo que resulte del desgaste razonable, uso en el exterior de la propiedad, uso indebido (incluyendo el uso del producto para una aplicación indebida), agua helada, abuso, negligencia, o instalación, mantenimiento o reparación realizadas incorrectamente, incluyendo el no seguir las instrucciones correspondientes para el cuidado, la limpieza y el mantenimiento. Los componentes personalizados comprados por el consumidor o usuario comercial e instalados en un producto Brizo, y cualquier daño resultante por la extracción o instalación incorrecta de dichos componentes, no están cubiertos por esta garantía.

Brizo Kitchen & Bath Company recomienda que un plomero profesional haga toda la instalación y las reparaciones. También recomendamos que use solo piezas de repuestos originales Brizo®.

**Lo que usted debe hacer para obtener servicio de garantía o piezas de repuesto.** Puede hacer un reclamo para la garantía y puede obtener piezas de repuesto llamando al 1-877-345-BRIZO (2749) o contactándonos por correo o en línea de la siguiente manera (por favor incluya su número de modelo y fecha de compra):

**En Estados Unidos y México:**  
 Brizo Kitchen & Bath Company  
 55 E. 111th Street  
 Indianapolis, IN 46280  
 Atención: Servicio de Garantía  
<https://www.brizo.com/customer-support/contact-us>

**En Canadá:**  
 Masco Canada Limited, Plumbing Group  
 Technical Service Centre  
 350 South Edgeware Road  
 St. Thomas, Ontario, Canada N5P 4L1  
<https://www.brizo.com/customer-support/contact-us>

El comprobante de compra (recibo de venta original) del comprador original debe estar disponible a Brizo Kitchen & Bath Company para todos los reclamos de garantía a menos que el comprador haya registrado el producto con Brizo Kitchen & Bath Company. Esta garantía se aplica solo a las llaves de agua/grifos Brizo® instaladas en los Estados Unidos de América, Canadá y México.

**La limitación de la duración de las garantías implícitas.** Favor note que de algunos estados/provincias (incluyendo Quebec) no permiten limitaciones de la duración de una garantía implícita por lo que las limitaciones a continuación puedan no aplicarse. HASTA EL ALCANCE EN QUE LA LEY LO PERMITA, CUALQUIER GARANTÍA IMPLÍCITA, INCLUIDAS LAS GARANTÍAS IMPLÍCITAS DE COMERCIABILIDAD Y DE IDONEIDAD PARA UN PROPOSITO PARTICULAR, ESTÁ LIMITADA AL PERÍODO LEGAL O A LA DURACIÓN DE ESTA GARANTÍA, LO QUE SEA MÁS CORTO.

**Limitation of Special, Incidental or Consequential Damages.** Favor note que de algunos estados/provincias (incluyendo Quebec) no permiten exclusión o limitación de daños especiales, incidentales o consecuentes, por lo cual las siguientes limitaciones y exclusiones puedan no aplicarse. HASTA EL ALCANCE MÁXIMO EN QUE LA LEY APPLICABLE LO PERMITA, ESTA GARANTÍA NO CUBRE, NI BRIZO KITCHEN & BATH COMPANY SERÁ RESPONSABLE, CUALQUIER DAÑO ESPECIAL, INCIDENTAL O CONSECUENTE (INCLUYENDO LOS GASTOS LABORALES PARA REPARAR, REEMPLAZAR, INSTALAR O DESMONTAR ESTE PRODUCTO), YA SEA EL RESULTADO DEL INCUMPLIMIENTO DE CUALQUIER GARANTÍA EXPRESA O IMPLÍCITA, INCUMPLIMIENTO DE CONTRATO, AGRAVIO O DE CUALQUIER OTRA MANERA. BRIZO KITCHEN & BATH COMPANY NO SERÁ RESPONSABLE POR CUALQUIER DAÑO AL GRIFO COMO RESULTADO DEL DESGASTE RAZONABLE, USO EN EL EXTERIOR DE LA PROPIEDAD, USO INDEBIDO (INCLUYENDO EL USO DEL PRODUCTO PARA UNA APLICACIÓN INDEBIDA), AGUA HELADA, ABUSO, NEGLIGENCIA, ENSAMBLE, INSTALACIÓN, O MANTENIMIENTO INADECUADO O INCORRECTO, INCLUYENDO EL NO SEGUIR LAS INSTRUCCIONES CORRESPONDIENTES PARA EL CUIDADO, LA LIMPIEZA Y EL MANTENIMIENTO. Aviso para los residentes del estado de New Jersey: Las disposiciones de esta garantía, incluyendo las limitaciones, tienen el propósito de aplicarse en la máxima medida permitida por las leyes del estado de New Jersey.

**Derechos adicionales.** Esta garantía le otorga derechos legales específicos, y también puede tener otros derechos que varían de estado/provincia a estado/provincia.

Esta es la garantía escrita exclusiva de Brizo Kitchen & Bath Company y la garantía no es transferible.

Si tiene preguntas o dudas con respecto a nuestra garantía, por favor comuníquese con nosotros como indicado arriba o visite nuestro sitio web [www.brizo.com](http://www.brizo.com). © 2022 Masco Corporación de Indiana

## Garantie limitée des robinets Brizo®

**Pièces et finis.** Tous les pièces (autres que les composants électroniques, les modules d'alimentation d'interrupteur pneumatique, les piles et les pièces non fournies par Brizo Kitchen and Bath Company) et les finis des robinets Brizo® achetés auprès de vendeurs Brizo autorisés sont protégés contre les défauts de matériel et les vices de fabrication par une garantie qui est consentie au premier acheteur au détail et qui demeure valide tant que celui-ci demeure propriétaire de la maison dans laquelle le robinet a été installé. En ce qui concerne les acheteurs commerciaux, la période de garantie est à dix (10) ans pour les applications résidentielles multifamiliales et de cinq (5) ans pour toutes les autres applications commerciales, à compter de la date d'achat dans chaque cas. Dans le libellé de la présente garantie, on entend par « application résidentielle multifamiliale », un robinet acheté chez un vendeur Brizo autorisé par un acheteur qui est propriétaire d'un logement résidentiel sans l'habiter et installé la première fois dans ce immeuble. Il peut s'agir d'un immeuble individuel comportant un ou plus d'un logement loué (duplex ou groupe de maisons en rangée), d'un condominium, d'un immeuble d'habitation ou d'un centre d'intégration communautaire. Les applications décrites ci-après ne sont pas considérées comme étant des applications résidentielles multifamiliales et elles sont couvertes par la garantie de cinq (5) ans plutôt que par la garantie de dix (10) ans. Ce sont les suivantes : robinets installés dans un bâtiment industriel, un bâtiment institutionnel et un autre immeuble commercial, notamment une résidence d'étudiants, un lieu d'hébergement (hôtel, motel ou lieu de séjour prolongé), un aéroport, un établissement d'enseignement, un établissement de soins de santé de courte ou de longue durée (hôpital, centre de réadaptation, maison de soins infirmiers, résidence pour personnes âgées), un endroit public ou un lieu commun.

**Composants électroniques et piles (le cas échéant).** Les composants électroniques (autres que les modules d'alimentation d'interrupteur pneumatique et les piles) des robinets Brizo® achetés auprès de vendeurs Brizo autorisés sont protégés contre les défauts de matériel et les vices de fabrication par une garantie consentie au premier acheteur au détail qui est de cinq (5) ans à compter de la date d'achat. En ce qui concerne les acheteurs commerciaux, la période de garantie est d'un (1) an à compter de la date d'achat. Les piles ne sont pas couvertes par la garantie.

**Module d'alimentation d'interrupteur pneumatique.** Le module d'alimentation électronique des interrupteurs pneumatiques Brizo® acheté auprès de vendeurs Brizo autorisés est protégé contre les défauts de matériel et les vices de fabrication par une garantie consentie au premier acheteur au détail qui est d'une durée de deux (2) ans à compter de la date d'achat. En ce qui concerne les acheteurs commerciaux, la garantie est d'une durée d'un (1) an à compter de la date d'achat.

**Ce que nous ferons.** Brizo Kitchen and Bath Company réparera ou remplacera gratuitement, pendant la période de garantie applicable (décrite ci-dessus), toute pièce ou tout fini qui présentera une défectuosité de matériau et/ou un vice de fabrication pour autant que le produit ait été installé, utilisé et entretenu normalement. Brizo Kitchen & Bath Company pourra, à son entière discrétion, utiliser des pièces ou des produits neufs, remis en état ou reconditionnés pour effectuer la réparation ou le remplacement. S'il n'est pas utile de réparer ou de remplacer le produit, Brizo Kitchen & Bath Company pourra rembourser le prix d'achat en échange du produit retourné. Il s'agit de vos seuls recours.

**Ce qui n'est pas couvert.** Brizo Kitchen and Bath Company ne peut contrôler la qualité des produits Brizo vendus par des vendeurs non autorisés. Par conséquent, la présente garantie ne couvre pas les produits achetés auprès de vendeurs non autorisés, à moins que la loi n'interdise une telle limitation de la garantie (allez à Brizo.com pour obtenir la liste de nos revendeurs en ligne autorisés).

La présente garantie ne couvre pas les frais de main-d'œuvre encourus par l'acheteur pour la réparation, le remplacement, l'installation ou la dépose du produit. Brizo Kitchen & Bath Company se dégage de toute responsabilité à l'égard de toute détérioration du produit résultant d'une usure raisonnable et des dommages causés par une utilisation à l'extérieur, un mauvais usage (y compris l'utilisation du produit à des fins autres que celles auxquelles il est destiné), le gel de l'eau, un usage abusif, la négligence ou l'utilisation d'une méthode d'assemblage, d'installation, de maintenance ou de réparation incorrecte ou inadéquate, y compris les dommages résultant du non-respect des instructions de nettoyage et d'entretien applicables. La présente garantie ne couvre pas non plus les composants non authentiques achetés par le consommateur ou un utilisateur commercial et installés dans un produit Brizo ainsi que tous les dommages résultant de la dépose ou d'une mauvaise installation desdits composants.

Brizo Kitchen and Bath Company recommande de confier tous les travaux d'installation et de réparation à un plombier profes-

sionnel. Nous vous recommandons également d'utiliser uniquement des pièces de rechange Brizo® authentiques.

Ce que vous devez faire pour vous prévaloir de la garantie ou obtenir des pièces de rechange Vous pouvez présenter une réclamation en vertu de la garantie et obtenir des pièces de rechange en appelant au 1-877-345-BRIZO (2749) ou en communiquant avec nous à l'une des adresses postales ou des adresses de courriel indiquées ci-dessous (n'oubliez pas d'indiquer le numéro de modèle et la date d'achat).

**Aux États-Unis et au Mexique**  
 Brizo Kitchen and Bath Company  
 55 E. 111th Street  
 Indianapolis, IN 46280  
 Attention: Warranty Service  
<https://www.brizo.com/customer-support/contact-us>

**Au Canada:**  
 Masco Canada Limited, Groupe plomberie  
 Centre de services techniques  
 350, chemin South Edgeware  
 St. Thomas (Ontario) Canada N5P 4L1  
<https://www.brizo.com/customer-support/contact-us>

La preuve d'achat (original du reçu) du premier acheteur doit être présentée à Brizo Kitchen & Bath Company pour toutes les réclamations en vertu de la garantie, sauf si le produit a été enregistré auprès de Brizo Kitchen & Bath Company. La présente garantie s'applique uniquement aux robinets Brizo® installés aux États-Unis d'Amérique, au Canada et au Mexique.

**Limitation de la durée des garanties implicites.** Veuillez noter qu'il est interdit dans certains États et certaines provinces (y compris le Québec) de limiter la durée d'une garantie implicite. Par conséquent, les limites mentionnées ci-dessus peuvent ne pas s'appliquer à vous. DANS LA MESURE DE CE QUI EST PERMIS PAR LA LOI APPLICABLE, TOUTES LES GARANTIES IMPLI-CITES, Y COMPRIS LES GARANTIES IMPLIQUES DE QUALITÉ MARCHANDE ET D'ADÉQUATION À UN USAGE PARTICULIER, SE LIMITENT À LA PÉRIODE FIXÉE PAR LA LOI OU À LA DURÉE DE LA PRÉSENTE GARANTIE, LA PLUS COURTE DES DEUX PÉRIODES S'APPLIQUANT.

**Limitation des dommages particuliers, consécutifs ou indirects.** Veuillez noter qu'il est interdit dans certains États et certaines provinces (y compris le Québec) d'exclure ou de limiter les dommages particuliers, consécutifs ou indirects. Par conséquent, les exclusions et les limites mentionnées ci-dessus peuvent ne pas s'appliquer à vous. DANS LA MESURE DE CE QUI EST PERMIS PAR LA LOI APPLICABLE, BRIZO KITCHEN & BATH COMPANY SE DÉGAGE DE TOUTE RESPONSABILITÉ À L'ÉGARD DES DOMMAGES PARTICULIERS, CONSÉCUTIFS OU INDIRECTS (Y COMPRIS LES FRAIS DE MAIN-D'ŒUVRE POUR LA RÉPARATION, LE REMPLACEMENT, L'INSTALLATION OU LA DÉPOSE DU PRODUIT), POU IMPORTER QU'ILS DÉCOULENT D'UNE RUPTURE D'UNE GARANTIE IMPLICITE OU EXPLICITE, D'UNE RUPTURE DE CONTRAT, D'UN DÉLIT CIVIL OU D'UNE AUTRE CAUSE. BRIZO KITCHEN & BATH COMPANY SE DÉGAGE DE TOUTE RESPONSABILITÉ À L'ÉGARD DE TOUTE DÉTÉRIORATION DU ROBINET RÉSULTANT D'UNE USURE RAISONNABLE ET DES DOMMAGES CAUSÉS PAR UNE UTILISATION À L'EXTÉRIEUR, UN MAUVAIS USAGE (Y COMPRIS L'UTILISATION DU PRODUIT À DES FINS AUTRES QUE CELLES AUXQUELLES IL EST DESTINÉ), LE GEL DE L'EAU, UN USAGE ABUSIF, LA NÉGLIGENCE OU L'UTILISATION D'UNE MÉTHODE D'ASSEMBLAGE, D'INSTALLATION, DE MAINTENANCE OU DE RÉPARATION INCORRECTE OU INADÉQUATE, Y COMPRIS LES DOMMAGES RÉSULTANT DU NON-RESPECT DES INSTRUCTIONS D'INSTALLATION, DE NETTOYAGE ET D'ENTRETIEN APPLICABLES, ET CES DOMMAGES NE SONT PAS COUVERTS PAR LA GARANTIE. Avis à l'intention des résidents de l'État du New Jersey : Les dispositions de la présente garantie, y compris ses limites, s'appliquent dans toute la mesure permise par les lois de l'État du New Jersey.

**Droits supplémentaires.** La présente garantie vous procure des droits particuliers reconnus par la loi. Vous pouvez aussi avoir d'autres droits qui varient selon l'État ou la province.

La présente garantie écrite est la seule garantie offerte par Brizo Kitchen & Bath Company et elle n'est pas transférabile.

Si vous avez des questions ou des préoccupations concernant notre garantie, veuillez communiquer avec nous de la manière indiquée ci-dessus ou visiter notre site Web à l'adresse [www.brizo.com](http://www.brizo.com).

© 2022 Division de Masco Indiana