

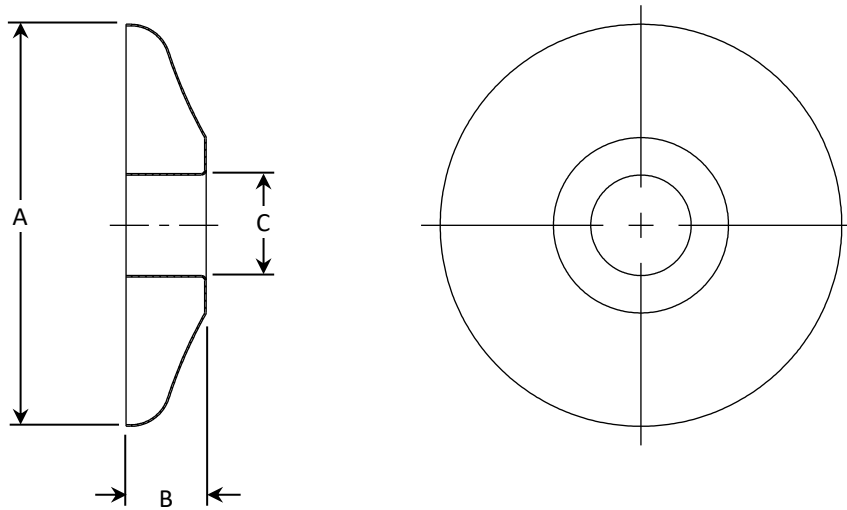
**For Residential and Commercial Applications**

Job Name		Engineer / Architect	
Job Location		Wholesaler	
Submittal Date		Contractor	

## 649 Stainless Steel Shallow Flange – 5/8" OD

**Design Features:**

- Easy to install
- Attractively conceals extra holes on the wall or floor surfaces



<b>CONNECTOR MATERIAL SPECIFICATIONS</b>	
<b>Escutcheon</b>	<i>Stainless steel, plated</i>

<b>PART DIMENSIONS (Inches)</b>			
<b>Model</b>	<b>DIA. A</b>	<b>DIM. B</b>	<b>DIA. C</b>
649	2.50	.50	.625

**Part Listing:**

- 649 Shallow flange – fits over 5/8" OD tube (1/2" nom), stainless steel
- 649 BZ Shallow flange – fits over 5/8" OD tube (1/2" nom), oil-rubbed bronze
- 649 NP Shallow flange – fits over 5/8" OD tube (1/2" nom), polished nickel
- 649 NS Shallow flange – fits over 5/8" OD tube (1/2" nom), satin nickel
- 649 P Shallow flange – fits over 5/8" OD tube (1/2" nom), polished brass

*This specification and all information contained herein is the confidential and exclusive property of Brasscraft Manufacturing Company, and shall not be disclosed to others without the written consent of Brasscraft Mfg. Co. This specification must be returned to Brasscraft Mfg. Co. if requested.*

