



GERBER

40-210 Series Maxwell® Single Handle Kitchen Faucet



Features:

- 3 or 4 hole installation
- Ceramic disc cartridge, G0092298, w/temp limit stop
- 1.75 gpm (6.6 L/min) max Aeration / 2.2 gpm (8.3L/min) max Spray @ 60psi
- All replaceable parts can be replaced from top of faucet
- Chrome or stainless steel finish
- Copper tube water supply line
- Lead free waterways per NSF/ANSI 372
- Fully ADA compliant
- Limited lifetime warranty
- Meets CEC requirements

Standards & Certifications:

- ASME A112.18.1M
- NSF/ANSI 372
- IAPMO/cUPC
- ICC/ANSI A117.1
- MASS Code

Catalog Numbers:

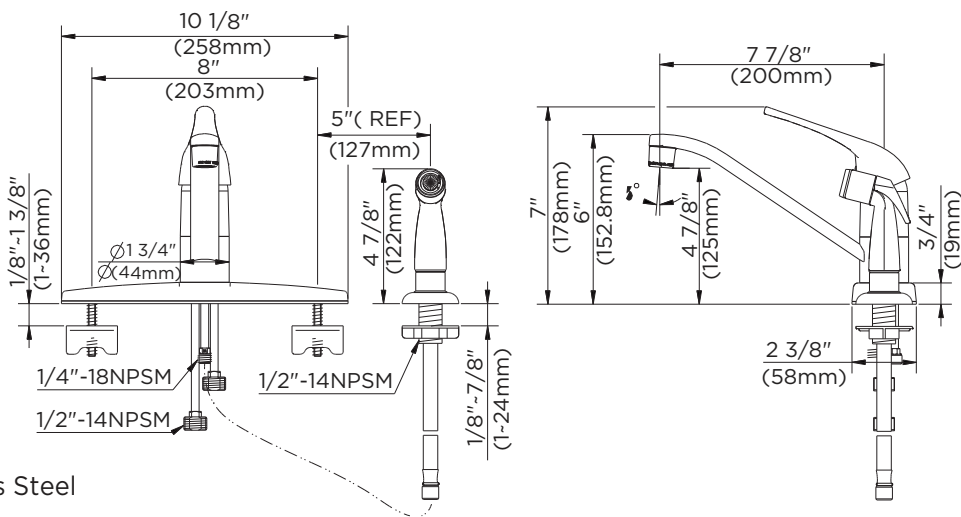
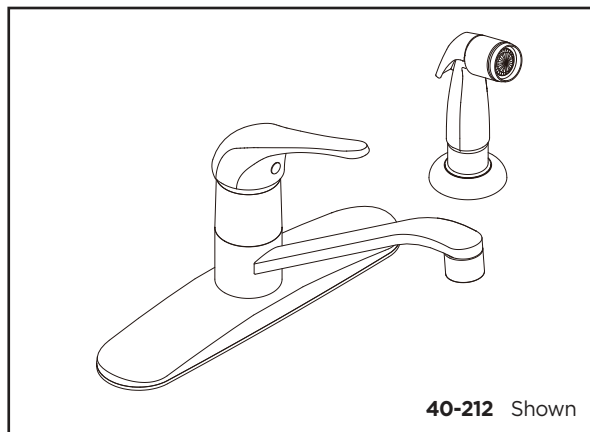
- 40-210** Less Spray, Chrome
- 40-210-SS** Less Spray, Stainless Steel
- 40-212** With Spray, Chrome
- 40-212-SS** With Spray, Stainless Steel

Prefixes Available:

None

Suffixes Available:

-SS Stainless Steel



Job Name	
Date	
Model Specified	
Quantity	
Customer	
Contractor	
Architect/engineer	

Gerber Toll Free Technical Support: 1-888-648-6466
www.gerberonline.com