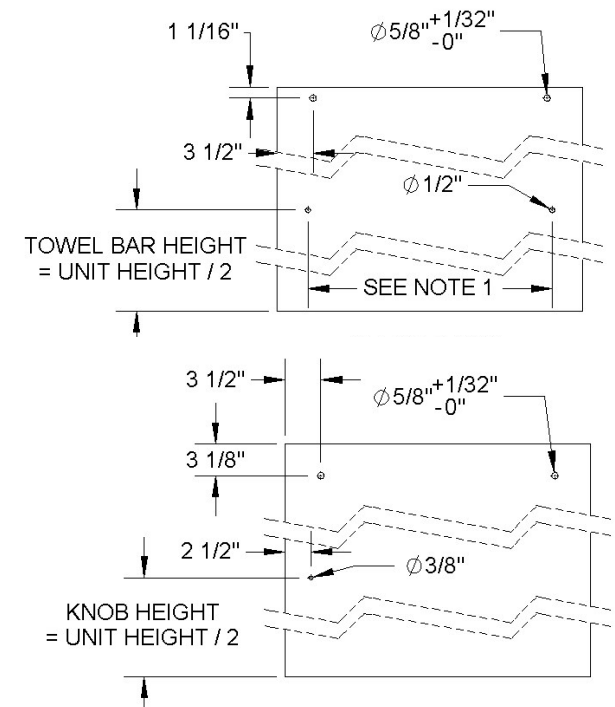


NOTES:

1. Towel bar assemblies are available in 12", 18", and 24"
2. Towel bar sizes are measured from center to center of the mounting holes
3. Basco will automatically choose the appropriate towel bar on complete units
4. For KD units, leave a minimum of 1.5" between hole centers and edges of glass

GLASS DETAIL DRAWING



NOTE: GLAZING MATERIAL FOR ALL KD UNITS AND GLAZED UNITS MUST CONFORM TO ANSI Z97.1 AND CPSC STANDARD 16 CFC 1201 CATEGORY 1 & 2

RTLH-905
5400/5500

Rotolo
Frameless 1/4" or 3/8" Bypass Slider



1-800-45-BASCO
7201 Snider Road
Mason, Ohio 45040