

Features

- Four-stage purification system reduces contaminants such as arsenic, fluoride, bacteria, virus, lead, mercury, chlorine, chloramine, select pharmaceuticals and more.
- Reduces over 95% of perfluorooctanoic acid (PFOA) and perfluorooctane sulfonate (PFOS) in drinking water.
- 1:1 ratio high-recovery reverse osmosis membrane creating less waste water.
- Provides up to 27.5 gallons per day, or the equivalent of over 200 16.9-oz. bottles of water (results may vary based on water pressure, temperature and incoming water quality).
- 0.5 gpm (1.9 l/min) maximum flow rate at 60 psi (4.1 bar).
- 3.2 gallon storage tank.
- Filter head automatically turns off water supply when cartridge is removed.
- Postage-paid recycling program for used cartridges to reduce solid waste to landfills.
- Requires Kohler RO-compatible beverage faucet with air gap.
- For cold water use only.

Material

- High-impact plastic construction.

Installation

- Under-sink.
- Quarter-turn twist cartridge for easy installation and replacement.

Recommended Products/Accessories

- K-22156 Reverse osmosis (RO) replacement membrane
- K-22159 Reverse osmosis (RO) replacement filter 3-pack

Included Components

Additional Components:

- K-22156 Reverse osmosis (RO) replacement membrane
- K-22157 Reverse osmosis (RO) sediment pre-filter replacement
- K-22158 Reverse osmosis (RO) carbon block CTO filter
- K-23334 Reverse osmosis (RO) carbon block VOC filter



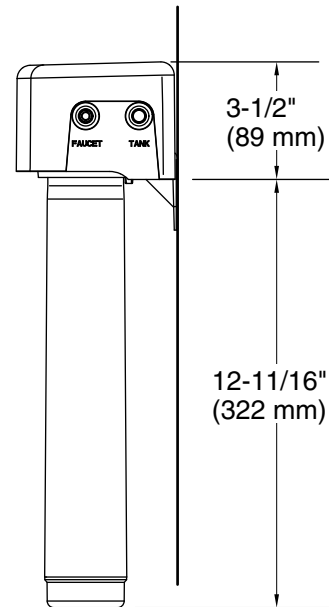
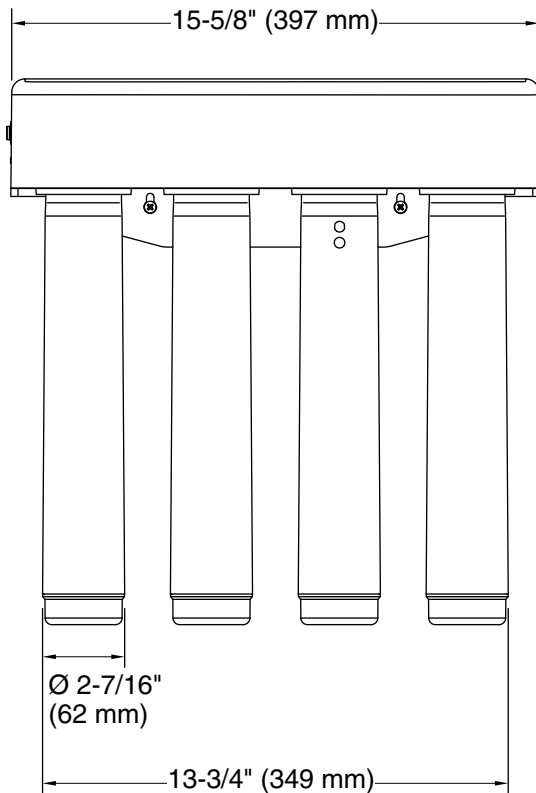
Codes/Standards

CSA B483.1
NSF/ANSI 42
NSF/ANSI 53
NSF/ANSI 58
NSF/ANSI 401
NSF Protocol P231

KOHLER® Water Filter Systems

Five-Year Limited Warranty

See website for detailed warranty information.



Technical Information

All product dimensions are nominal.

Faucet:

Flow rate: 0.5 gal/min (1.9 l/min)
Pressure: 60 psi (4.1 bar)
Drain included: No

Notes

For cold water use only.

To ensure the filter continues to reduce contaminants effectively, it is recommended that the filter gets replaced every 6 months.

Application guideline/water supply parameters:
Water Pressure: 40-100 psi (276-689 kPa) Water
Temperature: 40-100°F (4.4-37.8°C) Capacity:
230 gal (871 L)