



63-1/4" ADA shower w/ seat and grab bars 62070115



Features

- 1/2" (12.7 mm) threshold.
- Durable swirl-gloss finish.
- Center drain.
- Three-piece tongue-and-groove walls with snap-together installation.
- Fold-down seat with stainless steel supports on right, grab bars at left and back.

Material

- Made from solid Vikrell® material for strength, durability, and lasting beauty.

Installation

- Alcove.
- Caulk required for proper installation.

Recommended Products/Accessories

K-23726 Drain treatment

K-23733 Vikrell® cleaner

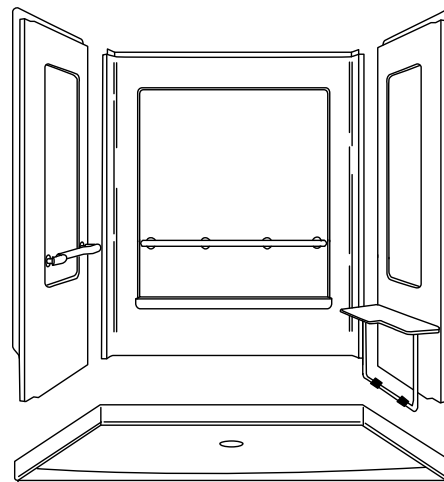
Included Components

Product consists of:

62055115 39-3/8" x 65-1/4" seated shower end wall set w/
grab bar on left

62061100 63-1/4" roll-in shower base

62062103 63-1/4" x 65-1/4" shower back wall with grab bar



ADA

Codes/Standards

CSA B45.5/IAPMO Z124

ASTM E162

ASTM E662



ADA

HUD, UM Bulletin 73

See website for detailed warranty information.

Available Colors/Finishes

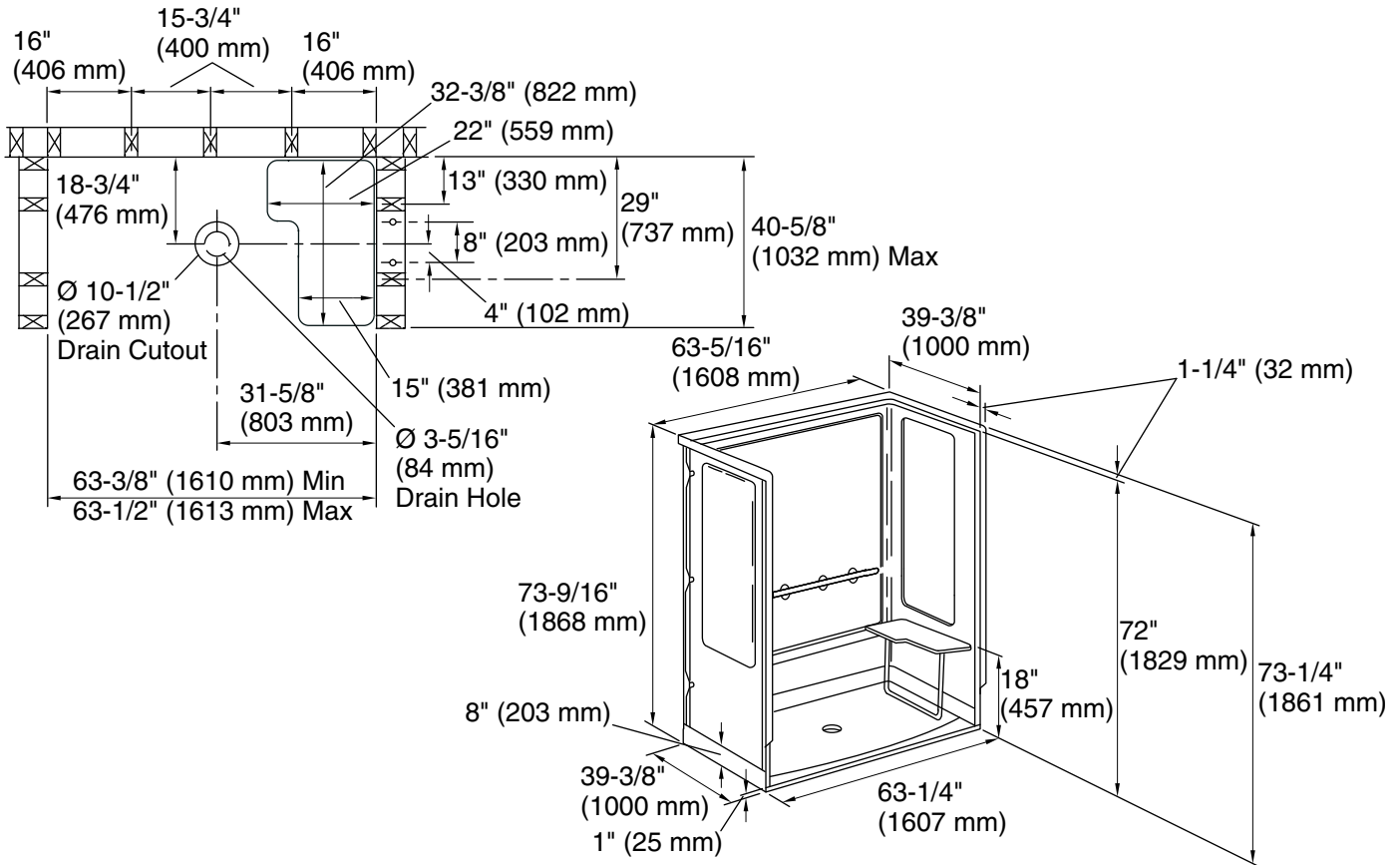
Color tiles intended for reference only.

Color	Code	Description
	0	White
	96	KOHLER Biscuit

1-800-STERLING (1-800-783-7546)

Kohler Co. reserves the right to make revisions without notice to product specifications.

For the most current Specification Sheet, go to www.sterlingplumbing.com.



Technical Information

All product dimensions are nominal.

Installation: Three-wall alcove

Drain location: Center

Notes

Install this product according to the installation instructions.

1/2" minimum finished floor thickness required.

Studs should be positioned as shown.

Backerboards and fasteners protrude beyond the back wall 1-1/2" (38 mm). If installing this product against wall board, 1-1/2" (38 mm) furring strips installed over the wall board are recommended. The stud pocket depth of 40-5/8" (1032 mm) will need to be increased by the combined thickness of the wall board and furring strips.

Drain cutout in subfloor to be 10-1/2" (267 mm) per rough-in illustration as shown to allow the backside of the drain to sit below the subfloor surface.

ADA compliant when installed to the specific requirements of these regulations.