

BUILDING PRODUCTS



ECCO™ is proud to be a member of:



SMACNA
Sheet Metal and Air
Conditioning Contractors'
National Association
www.smacna.org



HRAI
Heating, Refrigeration and
Air Conditioning
Institute of Canada
www.hrai.ca



HARDI
Heating, Air-conditioning
& Refrigeration
Distributors International
www.hardinet.org



ADI
Air
Distribution
Institute
www.steelduct.org



AD
Affiliated Distributors™
www.adhq.com



CME
Canadian
Manufacturers &
Exporters
www.cme-mec.ca



SPIDA
Spiral Duct
Manufacturers
Association
www.spida.org



INDEX

ADAPTERS — ROOF CAP VENT	G1-43
ALUMINUM ROOF DRAINS — PLASTIC TOP	G1-13
ALUMINUM STACKS	G1-15
BRACKETS	
PLYWOOD	G1-42
ROOF	G1-42
TEMPORARY ROOF ANCHOR	G1-43
BRUSHES — BRISTLE	G1-44
COLLAR — 4-IN-1 TPE	G1-42
COLLAR — TPE — NO CAULK	G1-42
DRYER VENT HOODS	G1-41
E-FLASH	G1-42
FLASHINGS	
ALUMINUM ROOF — HIGH DOME	G1-13
ANGLE	G1-8
BACKPAN	G1-6
CLERESTORY	G1-34
CLOSED TILE	G1-35
COUNTER	G1-9
EDGE	
90 DEGREE	G1-16
28 GAUGE	G1-17
26 GAUGE	G1-17 – G1-18
"D" WIDE / 28 GAUGE / 26 GAUGE	G1-28
DRIP EDGE	G1-5
DRIP EDGE — 105 DEGREE	G1-5
"G" DRIP	
90°	G1-29
5/12 PITCH	G1-29 – G1-30
26 GAUGE — 90°	G1-30
5/12 PITCH	G1-30 – 31
GABLE DRIP	G1-5
ROOF STARTER	G1-32
26 GAUGE	G1-32
T METAL	G1-31
26 GAUGE	G1-31
FASCIA CAP	G1-33
26 GAUGE	G1-33
FIREPLACE	G1-35
26 GAUGE	G1-35
GRAVEL STOP	G1-20
28 GAUGE	G1-20
26 GAUGE	G1-20
I.P.S. ADJUSTABLE ROOF	G1-15
J TILE	G1-35
OPEN TILE	G1-35
RECOVER — 26 GAUGE	G1-41
REVERSE	G1-6
REVERSE — NO SAFETY	G1-27
ROLL VALLEY / 26 GAUGE	G1-37
ROOF TO WALL	G1-19
28 GAUGE	G1-19
26 GAUGE	G1-20
FLASHINGS (cont'd)	
SIDING	
WITH DRIP AND HEM	G1-26
WITH DRIP — NO HEM	G1-25
WITH HEM	G1-25
SLOPED Z METAL — 100°	G1-22 – G1-23
SLOPED Z METAL — 110°	G1-24
SLOPED Z METAL FLASHINGS WITH HEM	G1-25
STEP	G1-8
STEP — STANDARD	G1-36
28 GAUGE	G1-36
26 GAUGE	G1-36
T-VALLEY — 5 RIB	G1-35
VALLEY	G1-4
WALL — NO SAFETY	G1-7
WALL — SAFETY	G1-7
WINDOW	
NO HEM	G1-27
NO SAFETY	G1-9
SAFETY	G1-10
W-VALLEY	G1-4
W-VALLEY — 28 GAUGE	G1-34
26 GAUGE	G1-34
Z METAL — 90°	G1-21 – G1-22
SHAKE MOLD (SM)	G1-22
GUM CUPS	G1-14
LATH	G1-44
LITERATURE POCKET	G1-44
MULT-E STRAP	G1-44
ROOF JACKS	
ALL PITCH — 8" x 8"	G1-12
EC144	G1-12
ROUND	G1-11
SQUARE TOP — SOLDERED — 8" x 8" — 26 GAUGE	G1-12
SCUPPER DROPS	G1-43
SCUPPERS	G1-14
SHINGLES	
FLAT — 26 GAUGE	G1-39
FLAT — STANDARD GAUGE	G1-38
FLAT — PAINTED	G1-38
SIDING	G1-13
STACK CAPS — ALUMINUM	G1-15
STACK CAPS — PLASTIC	G1-15
THE DRYERBOX®	G1-41
VENTS	
ATTIC — SQUARE — SOLDERED — 14" x 12"	G1-12
BUILT UP ROOF	G1-13
METAL STEM	G1-40
PLASTIC ROOF — SV-50	G1-40
PLASTIC ROOF CAP STEM — BVDS	G1-40
SIDE WALL — 1/4" BIRDSCREEN	G1-41
ZINC STRIP	G1-43

– E.&O.E. – Subject to Change Without Notice – May Not Be Available At All Locations –



MODEL E/R TYPE B GAS VENT G1-45 – G2-60

ADAPTERS

A-VENT TO B-VENT	G1-57
B-VENT — HCA	G1-57
B-VENT TO B-VENT — BA	G1-56
FEMALE — B-VENT — FMA	G1-56
FEMALE — B-VENT — FMSA	G1-56
MALE — B-VENT — MA	G1-57
MALE — B-VENT — MSA	G1-57

ATTIC INSULATION SHIELDS — AIS	G1-49
--------------------------------------	-------

BUTYL GASKET (SEALANT TAPE)	G1-57
-----------------------------------	-------

CHINA CAPS — GALVANIZED	G1-45
-------------------------------	-------

COLLARS

FINISHING — FC	G1-58
STORM — SC	G1-49
STORM — SPUN — SSC	G1-49

CONNECTORS

B-VENT TO FLEX — BF	G1-56
B-VENT TO SINGLE WALL — BSW	G1-55
DRAFT HOOD	G1-54
DRAFT HOOD WITH HEM — DHCH	G1-55
DRAFT HOOD CONNECTOR INCREASER — DHCI	G1-55
GAS VENT — FLEXIBLE — FGVC	G1-46

ELBOWS

45 DEGREE — 45EL — 2 PIECE	G1-50
45 DEGREE — 45EL — 3 PIECE	G1-51
90 DEGREE — 90EL	G1-51
DIRECT CONNECT — 90 DEGREE	G1-51

FIRESTOP SPACERS — FS	G1-49
-----------------------------	-------

FLASHINGS

ADJUSTABLE — 1/12 - 7/12 — AF	G1-47
ADJUSTABLE — 8/12 - 12/12 — AFS	G1-47
ADJUSTABLE SOLDERED — 1/12 - 7/12 — ARF	G1-47
ADJUSTABLE SOLDERED — 8/12 - 12/12 — ARF	G1-47
FLAT — FF	G1-48
FLAT — HOT WELDED	G1-48
FLAT — PIPE SIZE — HOT WELDED	G1-48

INCREASERS — DOUBLE WALL — INC	G1-55
--------------------------------------	-------

RAIN CAPS — RC	G1-48
----------------------	-------

SUPPORT PLATES — SP	G1-50
---------------------------	-------

SUPPORT RINGS — SR	G1-50
--------------------------	-------

TEE CAPS — SPUN — TC	G1-52
----------------------------	-------

TEES

DOUBLE WALL — DWT	G1-52
DOUBLE WALL — DWT TAPER	G1-52
SINGLE WALL — ALUMINUM — SWTA	G1-54
SINGLE WALL — GALVANIZED — SWT	G1-52
SINGLE WALL BASE — ALUMINUM — SWBTA	G1-53
SINGLE WALL BASE — GALVANIZED — SWBT	G1-53

MODEL E/R TYPE B GAS VENT (cont'd)

TYPE B GAS VENT KITS

LESS DRAFT HOOD CONNECTOR	G1-59
WITH DRAFT HOOD CONNECTOR	G1-58
WITH SINGLE WALL BASE TEE	G1-59

TYPE B OVAL GAS VENT AND FITTINGS — 4" / 5"	G1-60
---	-------

VENT PIPE — VP	G1-45
----------------------	-------

VENT PIPE ADJUSTABLE — VPA	G1-46
----------------------------------	-------

VENT PIPE ADJUSTABLE WITH CLAMP — VPAC	G1-46
--	-------

WALL BANDS — WB	G1-58
-----------------------	-------

WALL THIMBLES — ROUND PIPE	G1-60
----------------------------------	-------

WYES — SWIVEL — DOUBLE WALL — DWW	G1-54
---	-------

PRIMEX VENTING AND ACCESSORIES G1-61 – G1-74

ACCESS PANELS	G1-74
---------------------	-------

EB4X90 — 90° SQUEEZE ELBOW	G1-64
----------------------------------	-------

CEILING AND SIDEWALL DIFFUSERS

WG SERIES — ADJUST-A-VENT	G1-61
---------------------------------	-------

ACCESSORIES	G1-61
-------------------	-------

WGX SERIES — TURE-FLOW VENT	G1-61
-----------------------------------	-------

EXHAUST / DRYER VENTS

DV4 SERIES — (NO SCREEN)	G1-70
--------------------------------	-------

EXTENDED WALL CAPS

WCX — DOME COVER	G1-73
------------------------	-------

WCXF — FLAT COVER	G1-73
-------------------------	-------

INTAKE AND EXHAUST VENTS

WCD AND WCT SERIES — DOUBLE AND TRIPLE	G1-71
--	-------

WCL SERIES — LOW PROFILE	G1-72
--------------------------------	-------

RANGE HOOD VENTS

3" x 10" WALL CAP VENT	G1-70
------------------------------	-------

3-1/4" x 10" RANGE HOOD VENT	G1-70
------------------------------------	-------

ROOF VENTS

RVL28 SERIES / WC28 WALL CAP	G1-65
------------------------------------	-------

ACCESSORIES (SNAP-IN ADAPTER)	G1-65
-------------------------------------	-------

RV20 SERIES — LOW PROFILE	G1-66
---------------------------------	-------

RV28 SERIES — GOOSE NECK ROOF VENT	G1-67
--	-------

ACCESSORIES (SNAP-IN ADAPTER)	G1-67
-------------------------------------	-------

SOFFIT VENTS

RDV SERIES	G1-64
------------------	-------

SV28 — SOFFIT INTAKE AND EXHAUST VENT	G1-62
---	-------

ACCESSORIES (SNAP-IN ADAPTER)	G1-62
-------------------------------------	-------

SV SERIES	G1-62
-----------------	-------

SV6 SERIES	G1-63
------------------	-------

SV156 SERIES — SLAB DUCT	G1-63
--------------------------------	-------

TRIM PLATES — 501 SERIES	G1-74
--------------------------------	-------

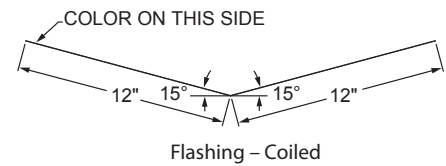
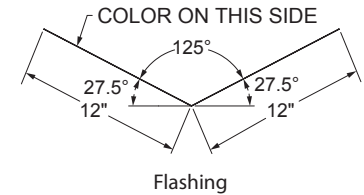
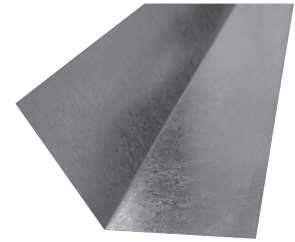
WALL VENTS — EXTERIOR

WC SERIES — INTAKE AND EXHAUST VENTS	G1-68 – G1-69
--	---------------

– E.&O.E. – Subject to Change Without Notice – May Not Be Available At All Locations –

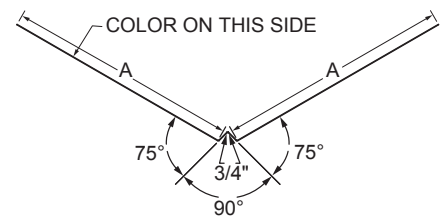
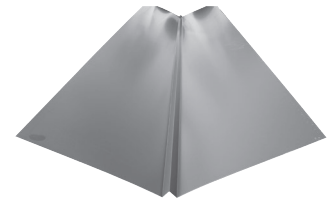
VALLEY FLASHINGS

ITEM #	DESCRIPTION	COLOR	LGTH/FT	A (")	PCS/BNDL	WT/100
380201	24"	Galvanized	10	12	10	1312
380202	24"	Brown	10	12	10	1312
380203	24"	White	10	12	10	1312
380204	24"	Black	10	12	10	1312
380205	24"	Charcoal	10	12	10	1312
380221	24"	Galvanized	8	12	10	1050
380222	24"	Brown	8	12	10	1050
380223	24"	White	8	12	10	1050
380224	24"	Black	8	12	10	1050
380225	24"	Charcoal	8	12	10	1050
380001	24" – Coiled	Galvanized	10	12	10	1312
380002	24" – Coiled	Brown	10	12	10	1312
380003	24" – Coiled	White	10	12	10	1312
380004	24" – Coiled	Black	10	12	10	1312
380005	24" – Coiled	Charcoal	10	12	10	1312
380006	24" – Coiled	Grey	10	12	10	1312



W-VALLEY FLASHINGS

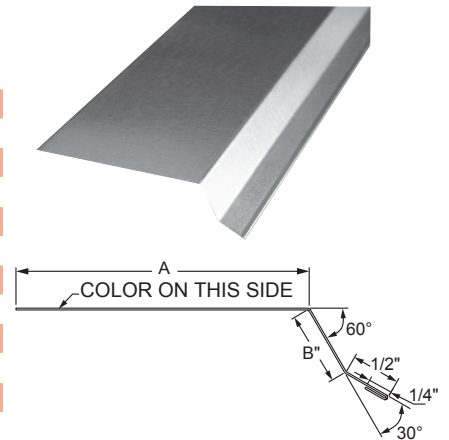
ITEM #	SIZE (")	COLOR	LGTH/FT	A (")	PCS/BNDL	WT/100
380401	24	Galvanized	10	11-1/4	10	1312
380402	24	Brown	10	11-1/4	10	1312
380403	24	White	10	11-1/4	10	1312
380404	24	Black	10	11-1/4	10	1312
380405	24	Charcoal	10	11-1/4	10	1312
380421	24	Galvanized	8	11-1/4	10	1050
380422	24	Brown	8	11-1/4	10	1050
380423	24	White	8	11-1/4	10	1050
380424	24	Black	8	11-1/4	10	1050
380425	24	Charcoal	8	11-1/4	10	1050



– E.&O.E. – Subject to Change Without Notice – May Not Be Available At All Locations –

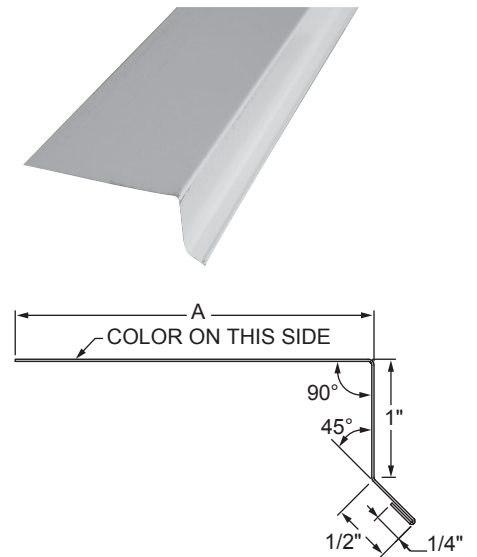
DRIP EDGE FLASHINGS

ITEM #	SIZE (")	COLOR	LGTH/FT	A (")	B (")	PCS/BNDL	WT/100
380701	3	Galvanized	10	3	3/4	10	246
380702	3	Brown	10	3	3/4	10	246
380703	3	White	10	3	3/4	10	246
380704	3	Black	10	3	3/4	10	246
380705	3	Charcoal	10	3	3/4	10	246
380706	3	Grey	10	3	3/4	10	246
380721	3	Galvanized	8	3	3/4	10	197
380722	3	Brown	8	3	3/4	10	197
380723	3	White	8	3	3/4	10	197
380724	3	Black	8	3	3/4	10	197
380725	3	Charcoal	8	3	3/4	10	197



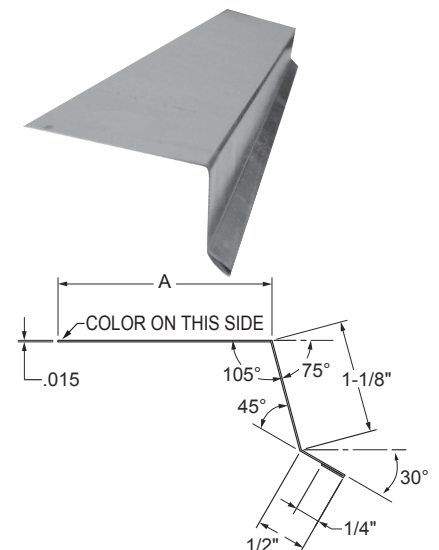
GABLE DRIP EDGE FLASHINGS

ITEM #	SIZE (")	COLOR	LGTH/FT	A (")	PCS/BNDL	WT/100
381101	3	Galvanized	10	3	10	260
381102	3	Brown	10	3	10	260
381103	3	White	10	3	10	260
381104	3	Black	10	3	10	260
381105	3	Charcoal	10	3	10	260
381121	3	Galvanized	8	3	10	208
381122	3	Brown	8	3	10	208
381123	3	White	8	3	10	208
381124	3	Black	8	3	10	208
381125	3	Charcoal	8	3	10	208



DRIP EDGE FLASHINGS — 105 DEGREE

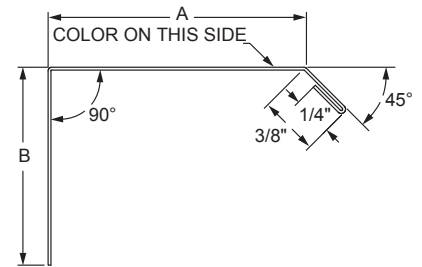
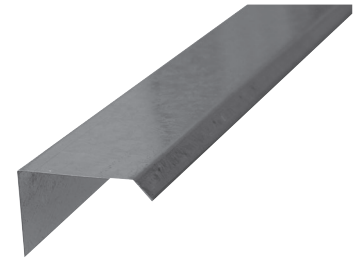
ITEM #	SIZE (")	COLOR	LGTH/FT	A (")	PCS/BNDL	WT/100
381251	2-1/8	Galvanized	10	2-1/8	10	220
381252	2-1/8	Brown	10	2-1/8	10	220
381253	2-1/8	White	10	2-1/8	10	220
381254	2-1/8	Black	10	2-1/8	10	220
381255	2-1/8	Charcoal	10	2-1/8	10	220



- E.&O.E. - Subject to Change Without Notice - May Not Be Available At All Locations -

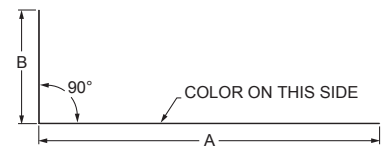
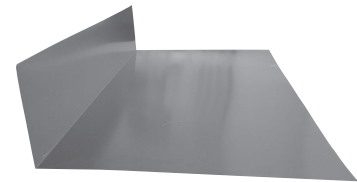
REVERSE FLASHINGS

ITEM #	SIZE (")	COLOR	LGTH/FT	A (")	B (")	CTN/QTY	WT/100
387881	1-5/8 × 1-1/4	Galvanized	10	1-5/8	1-1/4	10	191
387882	1-5/8 × 1-1/4	Brown	10	1-5/8	1-1/4	10	191
387883	1-5/8 × 1-1/4	White	10	1-5/8	1-1/4	10	191
387884	1-5/8 × 1-1/4	Black	10	1-5/8	1-1/4	10	191
387885	1-5/8 × 1-1/4	Charcoal	10	1-5/8	1-1/4	10	191
387886	1-5/8 × 1-1/4	Tan	10	1-5/8	1-1/4	10	191
387888	1-5/8 × 1-1/4	Grey	10	1-5/8	1-1/4	10	191



BACKPAN FLASHINGS

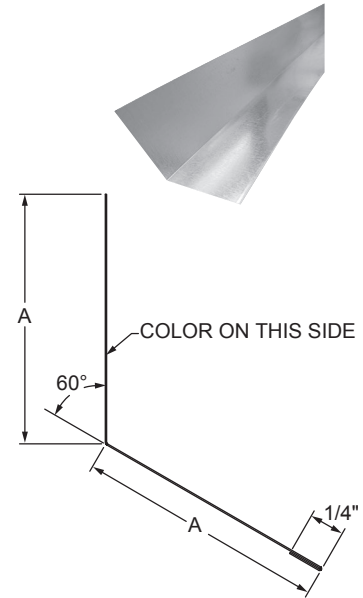
ITEM #	SIZE (")	COLOR	LGTH/FT	A (")	B (")	PCS/BNDL	WT/100
381501	24	Galvanized	10	18	6	10	1312
381502	24	Brown	10	18	6	10	1312
381503	24	White	10	18	6	10	1312
381504	24	Black	10	18	6	10	1312
381505	24	Charcoal	10	18	6	10	1312
381521	24	Galvanized	8	18	6	10	1050
381522	24	Brown	8	18	6	10	1050
381523	24	White	8	18	6	10	1050
381524	24	Black	8	18	6	10	1050
381525	24	Charcoal	8	18	6	10	1050
381601	24	Galvanized	5	18	6	10	656
381602	24	Brown	5	18	6	10	656
381603	24	White	5	18	6	10	656
381604	24	Black	5	18	6	10	656
381605	24	Charcoal	5	18	6	10	656
381701	24	Galvanized	3	18	6	10	394
381702	24	Brown	3	18	6	10	394
381703	24	White	3	18	6	10	394
381704	24	Black	3	18	6	10	394
381705	24	Charcoal	3	18	6	10	394
381681	24	Galvanized	2	18	6	10	262



- E.&O.E. - Subject to Change Without Notice - May Not Be Available At All Locations -

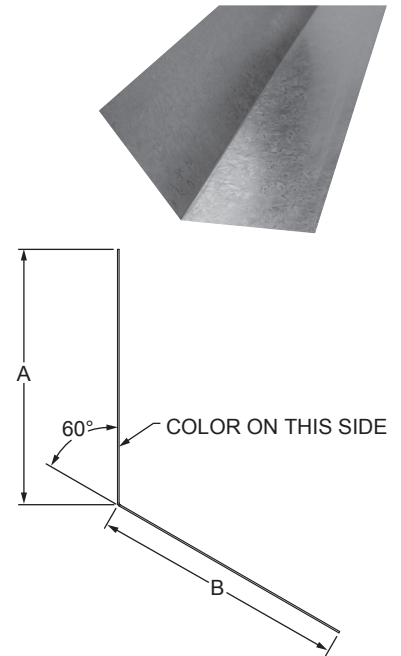
WALL FLASHINGS — SAFETY

ITEM #	SIZE (")	COLOR	LGTH/FT	A (")	PCS/BNDL	WT/100
382001	9	Galvanized	10	4-1/2	5	492
382002	9	Brown	10	4-1/2	5	492
382003	9	White	10	4-1/2	5	492
382004	9	Black	10	4-1/2	5	492
382005	9	Charcoal	10	4-1/2	5	492
382006	9	Grey	10	4-1/2	5	492
382021	9	Galvanized	8	4-1/2	10	394
382022	9	Brown	8	4-1/2	10	394
382023	9	White	8	4-1/2	10	394
382024	9	Black	8	4-1/2	10	394
382025	9	Charcoal	8	4-1/2	10	394



WALL FLASHINGS — NO SAFETY

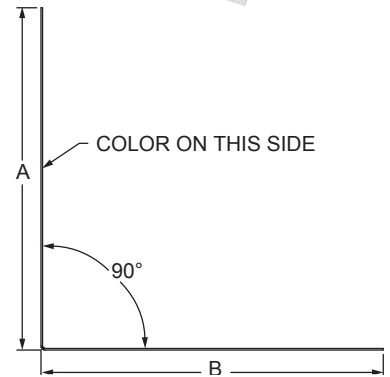
ITEM #	SIZE (")	COLOR	LGTH/FT	A (")	B (")	PCS/BNDL	WT/100
381821	6	Galvanized	8	3	3	10	262
381822	6	Brown	8	3	3	10	262
381823	6	White	8	3	3	10	262
381824	6	Black	8	3	3	10	262
381825	6	Charcoal	8	3	3	10	262
381804	6	Black	10	3	3	10	328
382101	8	Galvanized	10	4	4	10	437
382102	8	Brown	10	4	4	10	437
382103	8	White	10	4	4	10	437
382104	8	Black	10	4	4	10	437
382105	8	Charcoal	10	4	4	10	437
382121	8	Galvanized	8	4	4	10	350
382122	8	Brown	8	4	4	10	350
382123	8	White	8	4	4	10	350
382124	8	Black	8	4	4	10	350
382125	8	Charcoal	8	4	4	10	350
382131	3 x 5	Galvanized	8	3	5	10	350
382132	3 x 5	Brown	8	3	5	10	350
382133	3 x 5	White	8	3	5	10	350
382134	3 x 5	Black	8	3	5	10	350
382135	3 x 5	Charcoal	8	3	5	10	350



- E.&O.E. - Subject to Change Without Notice - May Not Be Available At All Locations -

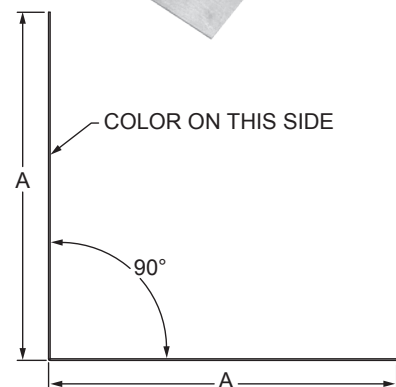
STEP FLASHINGS

ITEM #	SIZE (")	COLOR	LGTH/FT	A (")	B (")	PCS/BNDL	WT/100
383101	3 × 4	Galvanized	8.5	3	4	25	27
383104	3 × 4	Black	8.5	3	4	25	27
383105	3 × 4	Charcoal	8.5	3	4	25	27
383301	4 × 4	Galvanized	9	4	4	25	33
383302	4 × 4	Brown	9	4	4	25	33
383303	4 × 4	White	9	4	4	25	33
383304	4 × 4	Black	9	4	4	25	33
383305	4 × 4	Charcoal	9	4	4	25	33
383401	5 × 5	Galvanized	9	5	5	25	41
383402	4 × 4	Brown	12	4	4	25	44
383801	4 × 5	Galvanized	13	4	5	25	53
383802	4 × 5	Brown	13	4	5	25	53
383803	4 × 5	White	13	4	5	25	53
383804	4 × 5	Black	13	4	5	25	53
383805	4 × 5	Charcoal	13	4	5	25	53
383806	4 × 5	Grey	13	4	5	25	53
384301	4 × 6	Galvanized	13	4	6	25	59
384302	4 × 6	Brown	13	4	6	25	59
384303	4 × 6	White	13	4	6	25	59
384304	4 × 6	Black	13	4	6	25	59
384305	4 × 6	Charcoal	13	4	6	25	59



ANGLE FLASHINGS

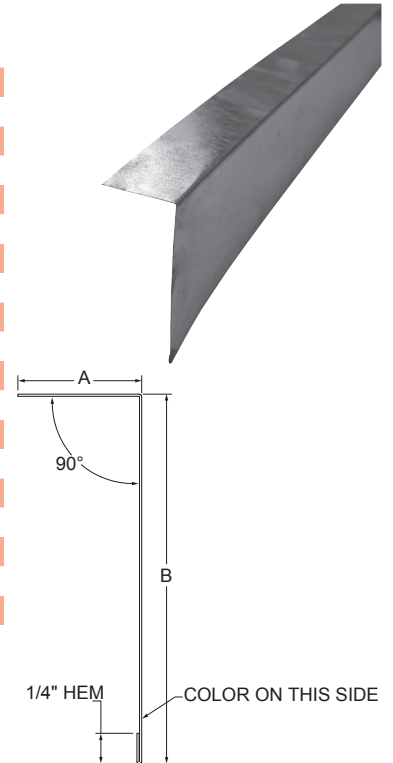
ITEM #	SIZE (")	COLOR	LGTH/FT	A (")	PCS/BNDL	WT/100
386301	4 × 4	Galvanized	10	4	10	437
386302	4 × 4	Brown	10	4	10	437
386303	4 × 4	White	10	4	10	437
386304	4 × 4	Black	10	4	10	437
386305	4 × 4	Charcoal	10	4	10	437
386501	6 × 6	Galvanized	10	6	10	656
386502	6 × 6	Brown	10	6	10	656
386503	6 × 6	White	10	6	10	656
386504	6 × 6	Black	10	6	10	656
386505	6 × 6	Charcoal	10	6	10	656



- E.&O.E. - Subject to Change Without Notice - May Not Be Available At All Locations -

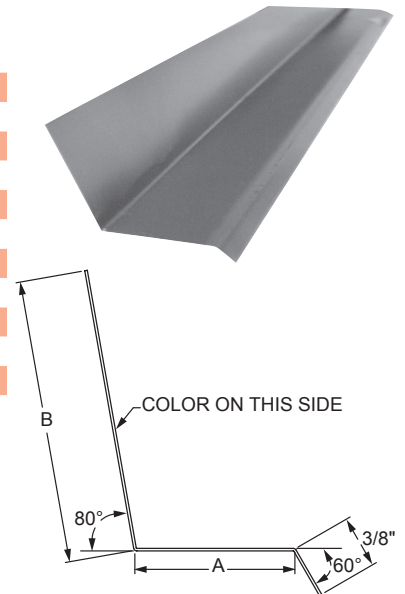
COUNTER FLASHINGS

ITEM #	DESCRIPTION	COLOR	LGTH/FT	A (")	B (")	PCS/BNDL	WT/100
385001	1-1/4" x 3"	Galvanized	10	1-1/4	3	10	246
385002	1-1/4" x 3"	Brown	10	1-1/4	3	10	246
385003	1-1/4" x 3"	White	10	1-1/4	3	10	246
385004	1-1/4" x 3"	Black	10	1-1/4	3	10	246
385005	1-1/4" x 3"	Charcoal	10	1-1/4	3	10	246
385021	1-1/4" x 3"	Galvanized	8	1-1/4	3	10	197
385022	1-1/4" x 3"	Brown	8	1-1/4	3	10	197
385023	1-1/4" x 3"	White	8	1-1/4	3	10	197
385024	1-1/4" x 3"	Black	8	1-1/4	3	10	197
385025	1-1/4" x 3"	Charcoal	8	1-1/4	3	10	197
385101	1" x 4"	Galvanized	10	1	4	10	273
385102	1" x 4"	Brown	10	1	4	10	273
385103	1" x 4"	White	10	1	4	10	273
385104	1" x 4"	Black	10	1	4	10	273
385105	1" x 4"	Charcoal	10	1	4	10	273
385121	1" x 4"	Galvanized	8	1	4	10	218
385122	1" x 4"	Brown	8	1	4	10	218
385123	1" x 4"	White	8	1	4	10	218
385124	1" x 4"	Black	8	1	4	10	218
385125	1" x 4"	Charcoal	8	1	4	10	218



WINDOW FLASHINGS — NO SAFETY

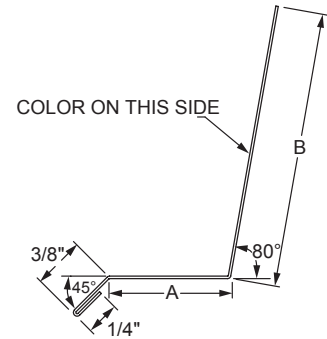
ITEM #	SIZE (")	COLOR	LGTH/FT	A (")	B (")	PCS/BNDL	WT/100
389061	1-1/8	Galvanized	10	1-1/8	2	10	191
389062	1-1/8	Brown	10	1-1/8	2	10	191
389063	1-1/8	White	10	1-1/8	2	10	191
389161	1-3/8	Galvanized	10	1-3/8	2	10	205
389162	1-3/8	Brown	10	1-3/8	2	10	205
389163	1-3/8	White	10	1-3/8	2	10	205
389201	1-5/8	Galvanized	10	1-5/8	2	10	219
389202	1-5/8	Brown	10	1-5/8	2	10	219
389203	1-5/8	White	10	1-5/8	2	10	219
389281	2	Galvanized	10	2	2	10	246
389282	2	Brown	10	2	2	10	246
389283	2	White	10	2	2	10	246



- E.&O.E. - Subject to Change Without Notice - May Not Be Available At All Locations -

WINDOW FLASHINGS — SAFETY

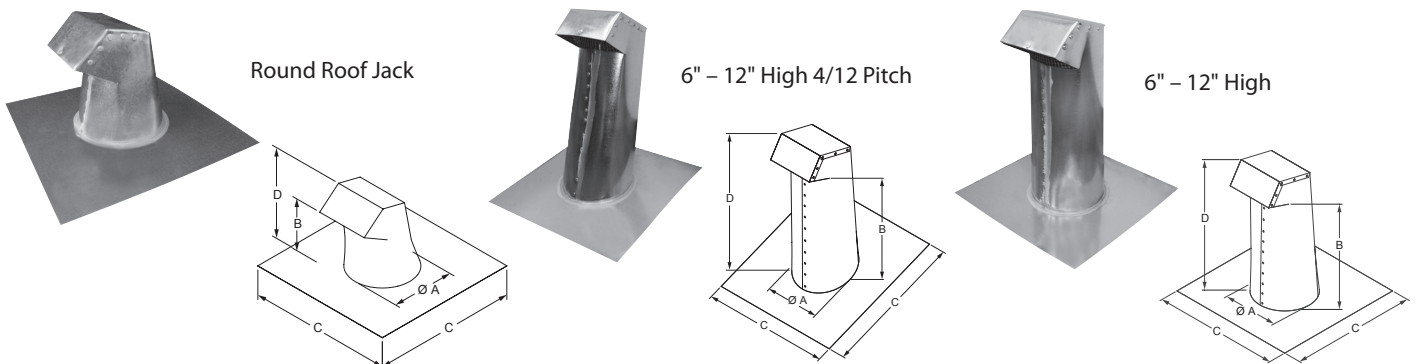
ITEM #	SIZE (")	COLOR	LGTH/FT	A (")	B (")	PCS/BNDL	WT/100
387301	7/8	Galvanized	10	7/8	2	10	191
387302	7/8	Brown	10	7/8	2	10	191
387303	7/8	White	10	7/8	2	10	191
387304	7/8	Black	10	7/8	2	10	191
387305	7/8	Charcoal	10	7/8	2	10	191
387401	1-1/4	Galvanized	10	1-1/4	3	10	219
387402	1-1/4	Brown	10	1-1/4	3	10	219
387403	1-1/4	White	10	1-1/4	3	10	219
387404	1-1/4	Black	10	1-1/4	3	10	219
387405	1-1/4	Charcoal	10	1-1/4	3	10	219
387501	1-1/2	Galvanized	10	1-1/2	3	10	232
387502	1-1/2	Brown	10	1-1/2	3	10	232
387503	1-1/2	White	10	1-1/2	3	10	232
387504	1-1/2	Black	10	1-1/2	3	10	232
387505	1-1/2	Charcoal	10	1-1/2	3	10	232
387601	1-3/4	Galvanized	10	1-3/4	3	10	246
387602	1-3/4	Brown	10	1-3/4	3	10	246
387603	1-3/4	White	10	1-3/4	3	10	246
387604	1-3/4	Black	10	1-3/4	3	10	246
387605	1-3/4	Charcoal	10	1-3/4	3	10	246
387606	1-3/4	Tan	10	1-3/4	3	10	246
387608	1-3/4	Grey	10	1-3/4	3	10	246
387701	2	Galvanized	10	2	3	10	260
387702	2	Brown	10	2	3	10	260
387703	2	White	10	2	3	10	260
387704	2	Black	10	2	3	10	260
387705	2	Charcoal	10	2	3	10	260
387801	3	Galvanized	10	3	3	10	328
387802	3	Brown	10	3	3	10	328
387803	3	White	10	3	3	10	328
387804	3	Black	10	3	3	10	328
387805	3	Charcoal	10	3	3	10	328



– E.&O.E. – Subject to Change Without Notice – May Not Be Available At All Locations –

ROOF JACKS — ROUND

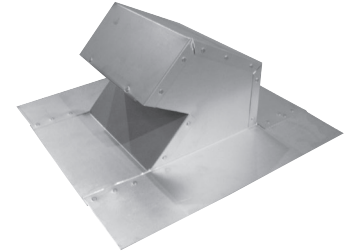
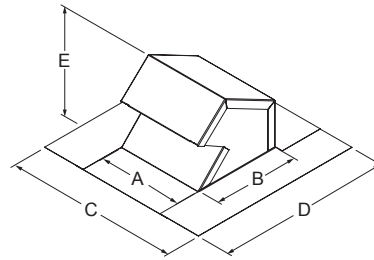
ITEM #	DESCRIPTION	COLOR	A (")	B (")	C (")	D (")	CTN/QTY	WT/100
130250	6" with Damper	Galvanized	6	4-1/4	14	7-1/2	10	190
130309	6" Soldered	Galvanized	6	4-1/4	14	7-1/2	10	190
130303	6" – 12" High	Galvanized	6	12	14	15-1/2	10	200
130307	6" – 12" High Solder	Galvanized	6	12	14	15-1/2	10	240
130308	6" – 12" High w/Damper, Soldered	Galvanized	6	12	14	15-1/2	10	245
130330	6" – 12" High	Brown	6	12	13-1/2	15-1/2	10	240
130331	6" – 12" High	Black	6	12	13-1/2	15-1/2	10	240
130332	6" – 12" High	Charcoal	6	12	13-1/2	15-1/2	10	240
130305	6" – 12" High 4/12P	Galvanized	6	11-1/2	14	14-7/8	10	200
130260	6" with Damper and Screen	Galvanized	6	4-1/4	14	7-1/2	10	195
130259	6" with Damper, Soldered	Galvanized	6	4-1/4	14	7-1/2	10	195
130311	6" Round	Brown	6	4-1/4	14	7-1/2	10	140
130313	6" Round	Black	6	4-1/4	14	7-1/2	10	140
130314	6" Round	Charcoal	6	4-1/4	14	7-1/2	10	140
130315	6" Round	Grey	6	4-1/4	14	7-1/2	10	140
130301	6" Round – Flared Base	Galvanized	6	4-1/4	14	7-1/2	10	190
130302	6" Round – 8" High	Galvanized	6	8	13-1/2	11	10	210
130316	6" with Damper	Brown	6	4-1/4	14	7-1/2	10	190
130318	6" with Damper	Black	6	4-1/4	14	7-1/2	10	190
130320	6" with Damper	Charcoal	6	4-1/4	14	7-1/2	10	190
130322	6" with Damper	Grey	6	4-1/4	14	7-1/2	10	190
130336	6" – 12" High with Damper	Brown	6	4-1/4	13-1/2	15-1/2	10	245
130337	6" – 12" High with Damper	Black	6	4-1/4	13-1/2	15-1/2	10	245
130338	6" – 12" High with Damper	Charcoal	6	4-1/4	13-1/2	15-1/2	10	245
130500	8" – All Pitch	Galvanized	7-3/4	4-3/4	15	8-7/8	10	230
130509	8" Soldered	Galvanized	7-3/4	4-3/4	15	8-7/8	10	260
130501	8" Round	Brown	7-3/4	4-3/4	15	8-7/8	10	190
130502	8" Round	Black	7-3/4	4-3/4	15	8-7/8	10	190
130503	8" Round	Charcoal	7-3/4	4-3/4	15	8-7/8	10	190
130505	8" Round	Grey	7-3/4	4-3/4	15	8-7/8	10	190
130550	8" with Damper	Galvanized	7-3/4	4-3/4	15	8-7/8	10	235
130551	8" with Damper	Brown	7-3/4	4-3/4	15	8-7/8	10	200
130552	8" with Damper	Black	7-3/4	4-3/4	15	8-7/8	10	200
130553	8" with Damper	Charcoal	7-3/4	4-3/4	15	8-7/8	10	200
130555	8" with Damper	Grey	7-3/4	4-3/4	15	8-7/8	10	200



– E.&O.E. – Subject to Change Without Notice – May Not Be Available At All Locations –

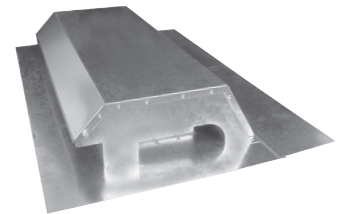
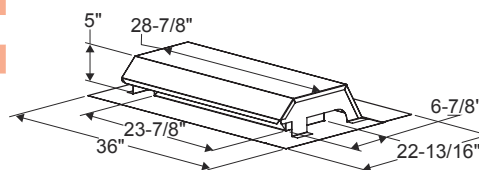
ROOF JACKS SQUARE TOP — SOLDERED — 8" x 8" — 26 GAUGE

ITEM #	SIZE (")	COLOR	A (")	B (")	C (")	D (")	E (")	CTN/QTY	WT/100
130108	8 x 8	Galvanized	8	8	16	16	7	10	270
130111	8 x 8	Brown	8	8	16	16	7	10	270
130113	8 x 8	Black	8	8	16	16	7	10	270
130114	8 x 8	Charcoal	8	8	16	16	7	10	270



ROOF JACKS — EC144

ITEM #	COLOR	CTN/QTY	WT/100
130600	Galvanized	*	1075
130602	Brown	*	1075
130604	Black	*	1075
130605	Charcoal	*	1075

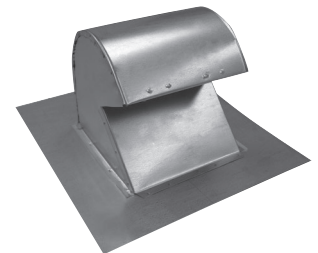
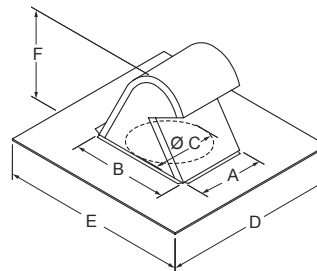


*Product shipped individually.

NOTE: Free Area = 100 Sq. In.

ROOF JACKS ALL PITCH — 8" x 8"

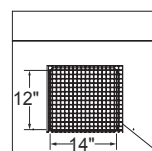
ITEM #	DESCRIPTION	COLOR	A (")	B (")	C (")	D (")	E (")	F (")	CTN/QTY	WT/100
130100	26 GA	Galvanized	8	9	7-1/2	15	17	8-1/2	10	298



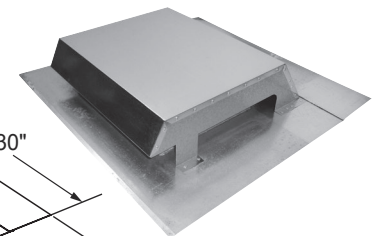
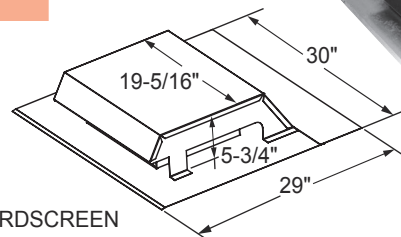
ATTIC VENTS — SQUARE — SOLDERED — 14" x 12"

ITEM #	DESCRIPTION	COLOR	CTN/QTY	WT/100
130596	Attic Vent	Galvanized	*	990

*Product shipped individually.



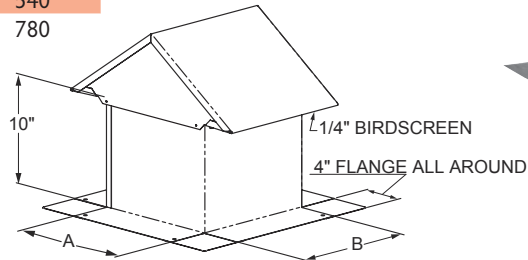
1/4" x 1/4" BIRDSCREEN



- E.&O.E. - Subject to Change Without Notice - May Not Be Available At All Locations -

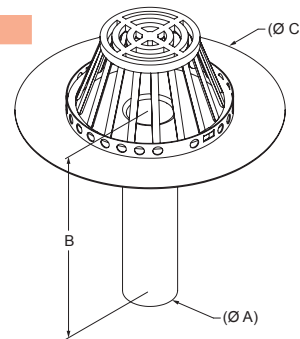
BUILT UP ROOF VENTS

ITEM #	SIZE (")	COLOR	A (")	B (")	WT/100
130569	5 × 14	Galvanized	5	14	620
130560	6 × 6	Galvanized	6	6	420
130562	8 × 8	Galvanized	8	8	540
130566	12 × 12	Galvanized	12	12	780



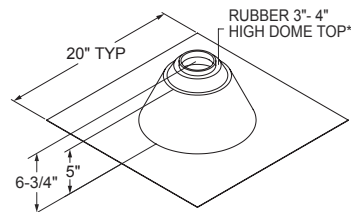
ALUMINUM ROOF DRAINS — PLASTIC TOP

ITEM #	SIZE (")	A (")	B (")	C (")	CTN/QTY	WT/100
379832	2	1-3/4	11	13-1/2	10	180
379833	3	2-3/4	11	13-1/2	10	190
379834	4	3-3/4	11	13-1/2	10	200



ALUMINUM ROOF FLASHING — HIGH DOME

ITEM #	SIZE (")	CTN/QTY	WT/100
379840	3 - 4	10	400

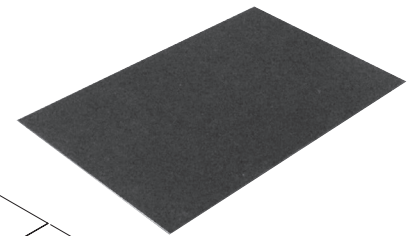
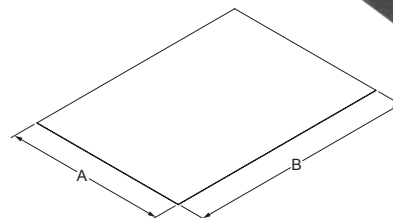


*REMOVEABLE 3" SECTION FOR 4" CONFIGURATION



SIDING SHINGLES

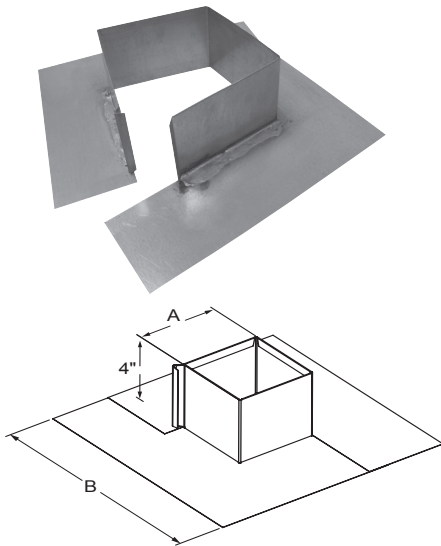
ITEM #	SIZE (")	COLOR	A (")	B (")	PCS/BNDL	WT/100
382602	5 × 8	Brown	5	8	100	17



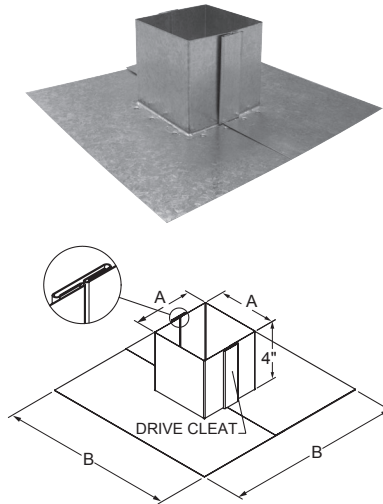
-E.&O.E. - Subject to Change Without Notice - May Not Be Available At All Locations -

GUM CUPS

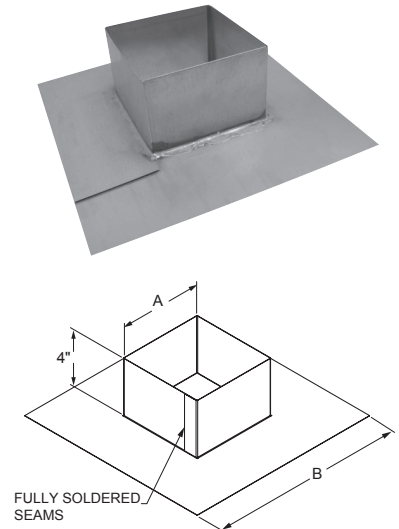
ITEM #	DESCRIPTION	COLOR	A (")	B (")	CTN/QTY	WT/100
130644	4" – Combo	Galvanized	4	12	20	130
130646	6" – Combo	Galvanized	6	14	10	170
130654	4" – Open with Clips	Galvanized	4	12	20	140
130656	6" – Open with Clips	Galvanized	6	14	10	180
130664	4" – Closed	Galvanized	4	12	20	123
130666	6" – Closed	Galvanized	6	14	10	165



Gum Cup – Combo



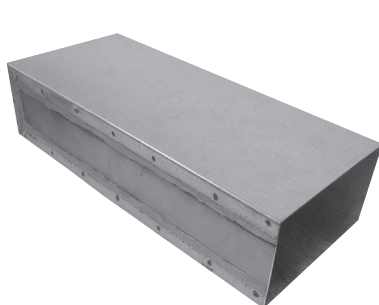
Gum Cup – Open with Clips



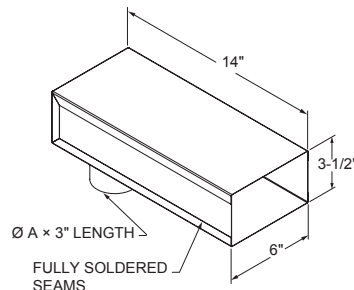
Gum Cup – Closed

SCUPPERS

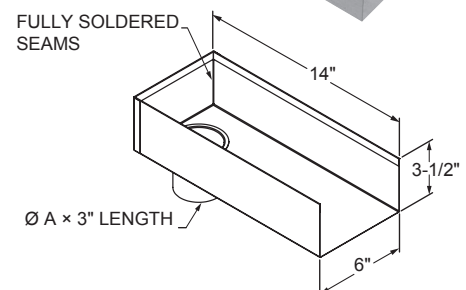
ITEM #	DESCRIPTION	COLOR	A (")	CTN/QTY	WT/100
130674	6" – Open – 2-3/4" Pipe	Galvanized	2-3/4	20	150
130676	6" – Open – 4" Pipe	Galvanized	4	20	150
130684	6" – Closed – 2-3/4" Pipe	Galvanized	2-3/4	10	200
130686	6" – Closed – 4" Pipe	Galvanized	4	10	200



Scupper – Closed



Scupper – Open

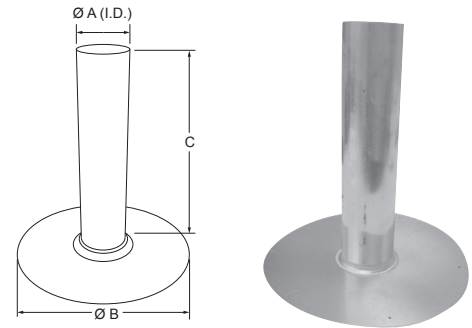


– E.&O.E. – Subject to Change Without Notice – May Not Be Available At All Locations –

ALUMINUM STACKS

ITEM #	SIZE (")	A (")	B (")	C (")	CTN/QTY	WT/100
379800	1-1/4	1-7/8	10	12	*	105
379801	1-1/2	2-3/8	10	12	*	110
379802	2	2-5/8	11	12	*	115
379803	3	3-5/8	12	12	*	125
379804	4	4-7/8	12	12	*	135

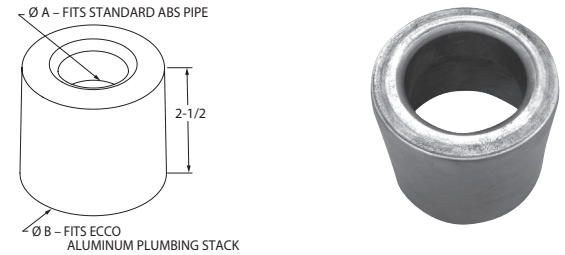
*Product shipped individually.



ALUMINUM STACK CAPS

ITEM #	SIZE (")	A (")	B (")	CTN/QTY	WT/100
379810	1-1/4	1-1/4	2	*	35
379811	1-1/2	1-1/2	2-1/2	*	40
379812	2	2	2-3/4	*	50
379813	3	3	3-3/4	*	65
379814	4	4	5	*	82

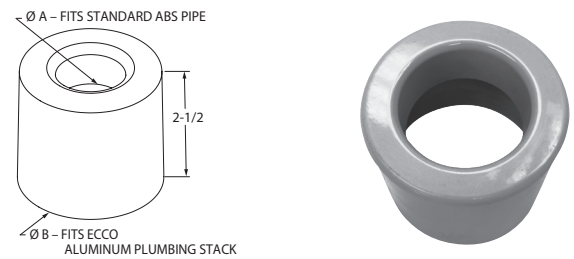
*Product shipped individually.



PLASTIC STACK CAPS

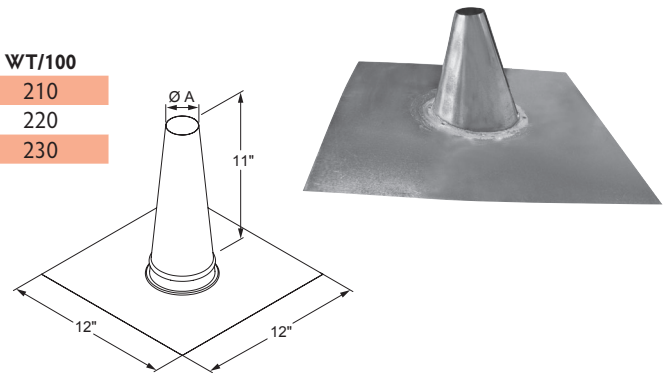
ITEM #	SIZE (")	A (")	B (")	CTN/QTY	WT/100
680030	1-1/2	1-1/2	2-1/2	*	100
680032	2	2	2-3/4	*	150
680034	3	3	3-3/4	*	200

*Product shipped individually.



I.P.S. ADJUSTABLE ROOF FLASHINGS

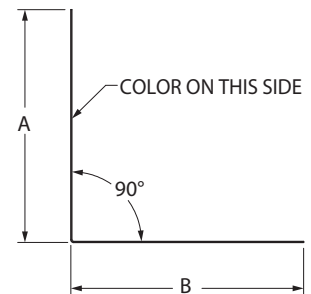
ITEM #	SIZE (")	COLOR	A (")	CTN/QTY	WT/100
131201	1-1/2	Galvanized	1-1/2	10	210
131202	2-1/2	Galvanized	2-1/2	10	220
131203	3-1/2	Galvanized	3-1/2	10	230



- E.&O.E. - Subject to Change Without Notice - May Not Be Available At All Locations -

EDGE FLASHINGS — 90 DEGREE

ITEM #	SIZE (")	COLOR	LGTH/FT	A (")	B (")	PCS/BNDL	WT/100
380801	1 x 1	Galvanized	10	1	1	20	109
380802	1 x 1	Brown	10	1	1	20	109
380803	1 x 1	White	10	1	1	20	109
380804	1 x 1	Black	10	1	1	20	109
380805	1 x 1	Grey	10	1	1	20	109
380806	1 x 1-1/2	Galvanized	10	1	1-1/2	20	137
380807	1 x 1-1/2	Brown	10	1	1-1/2	20	137
380808	1 x 1-1/2	White	10	1	1-1/2	20	137
380809	1 x 1-1/2	Black	10	1	1-1/2	20	137
380810	1 x 1-1/2	Grey	10	1	1-1/2	20	137
380811	1 x 2	Galvanized	10	1	2	20	164
380812	1 x 2	Brown	10	1	2	20	164
380813	1 x 2	White	10	1	2	20	164
380814	1 x 2	Black	10	1	2	20	164
380815	1 x 2	Grey	10	1	2	20	164
380826	1 x 3	Galvanized	10	1	3	20	219
380827	1 x 3	Brown	10	1	3	20	219
380828	1 x 3	White	10	1	3	20	219
380829	1 x 3	Black	10	1	3	20	219
380830	1 x 3	Grey	10	1	3	20	219
380816	1-1/2 x 1-1/2	Galvanized	10	1-1/2	1-1/2	20	164
380817	1-1/2 x 1-1/2	Brown	10	1-1/2	1-1/2	20	164
380818	1-1/2 x 1-1/2	White	10	1-1/2	1-1/2	20	164
380819	1-1/2 x 1-1/2	Black	10	1-1/2	1-1/2	20	164
380820	1-1/2 x 1-1/2	Grey	10	1-1/2	1-1/2	20	164
380980	1-1/2 x 1-1/2	Stainless Steel	10	1-1/2	1-1/2	20	175
380821	1-1/2 x 2	Galvanized	10	1-1/2	2	20	191
380822	1-1/2 x 2	Brown	10	1-1/2	2	20	191
380823	1-1/2 x 2	White	10	1-1/2	2	20	191
380824	1-1/2 x 2	Black	10	1-1/2	2	20	191
380825	1-1/2 x 2	Grey	10	1-1/2	2	20	191
380831	2 x 2	Galvanized	10	2	2	20	219
380832	2 x 2	Brown	10	2	2	20	219
380833	2 x 2	White	10	2	2	20	219
380834	2 x 2	Black	10	2	2	20	219
380835	2 x 2	Grey	10	2	2	20	219
380836	2 x 3	Galvanized	10	2	3	10	273
380837	2 x 3	Brown	10	2	3	10	273
380838	2 x 3	White	10	2	3	10	273
380839	2 x 3	Black	10	2	3	10	273
380840	2 x 3	Grey	10	2	3	10	273
380841	2 x 4	Galvanized	10	2	4	10	328
380842	2 x 4	Brown	10	2	4	10	328
380843	2 x 4	White	10	2	4	10	328
380844	2 x 4	Black	10	2	4	10	328
380845	2 x 4	Grey	10	2	4	10	328
380846	3 x 3	Galvanized	10	3	3	10	328
380847	3 x 3	Brown	10	3	3	10	328
380848	3 x 3	White	10	3	3	10	328
380849	3 x 3	Black	10	3	3	10	328
380850	3 x 3	Grey	10	3	3	10	328
380800	4 x 6	Black	10	4	6	5	547

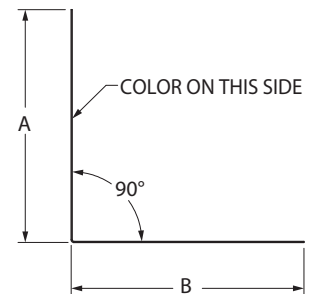


- E.&O.E. - Subject to Change Without Notice - May Not Be Available At All Locations -

EDGE FLASHINGS — 90 DEGREE (cont'd)

28 GAUGE

ITEM #	SIZE (")	COLOR	LGTH/FT	A (")	B (")	PCS/BNDL	WT/100
380851	3 x 4	Galvanized	10	3	4	10	456
380852	3 x 4	Brown	10	3	4	10	456
380853	3 x 4	White	10	3	4	10	456
380854	3 x 4	Black	10	3	4	10	456
380855	3 x 4	Grey	10	3	4	10	456
380856	3 x 5	Galvanized	10	3	5	5	521
380857	3 x 5	Brown	10	3	5	5	521
380858	3 x 5	White	10	3	5	5	521
380859	3 x 5	Black	10	3	5	5	521
380860	3 x 5	Grey	10	3	5	5	521
380861	4 x 4	Galvanized	10	4	4	5	521
380862	4 x 4	Brown	10	4	4	5	521
380863	4 x 4	White	10	4	4	5	521
380864	4 x 4	Black	10	4	4	5	521
380865	4 x 4	Grey	10	4	4	5	521
380866	4 x 6	Galvanized	10	4	6	5	651
380867	4 x 6	Brown	10	4	6	5	651
380868	4 x 6	White	10	4	6	5	651
380869	4 x 6	Black	10	4	6	5	651
380870	4 x 6	Grey	10	4	6	5	651
386551	5 x 5	Galvanized	10	5	5	10	650
380871	6 x 6	Galvanized	10	6	6	5	781
380872	6 x 6	Brown	10	6	6	5	781
380873	6 x 6	White	10	6	6	5	781
380874	6 x 6	Black	10	6	6	5	781
380875	6 x 6	Grey	10	6	6	5	781



26 GAUGE

ITEM #	SIZE (")	COLOR	LGTH/FT	A (")	B (")	PCS/BNDL	WT/100
380891	1-1/2 x 1-1/2	Galvanized	10	1-1/2	1-1/2	20	227
380892	1-1/2 x 1-1/2	Brown	10	1-1/2	1-1/2	20	227
380893	1-1/2 x 1-1/2	White	10	1-1/2	1-1/2	20	227
380904	1-1/2 x 1-1/2	Black	10	1-1/2	1-1/2	20	227
380905	1-1/2 x 1-1/2	Grey	10	1-1/2	1-1/2	20	227
380906	1-1/2 x 2	Galvanized	10	1-1/2	2	10	264
380907	1-1/2 x 2	Brown	10	1-1/2	2	10	264
380908	1-1/2 x 2	White	10	1-1/2	2	10	264
380909	1-1/2 x 2	Black	10	1-1/2	2	10	264
380910	1-1/2 x 2	Grey	10	1-1/2	2	10	264
380911	1 x 3	Galvanized	10	1	3	10	302
380912	1 x 3	Brown	10	1	3	10	302
380913	1 x 3	White	10	1	3	10	302
380914	1 x 3	Black	10	1	3	10	302
380915	1 x 3	Grey	10	1	3	10	302
380916	2 x 2	Galvanized	10	2	2	10	302
380917	2 x 2	Brown	10	2	2	10	302
380918	2 x 2	White	10	2	2	10	302

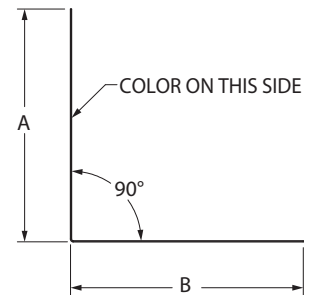
(cont'd on next page)

- E.&O.E. - Subject to Change Without Notice - May Not Be Available At All Locations -

EDGE FLASHINGS — 90 DEGREE (cont'd)

26 GAUGE (cont'd)

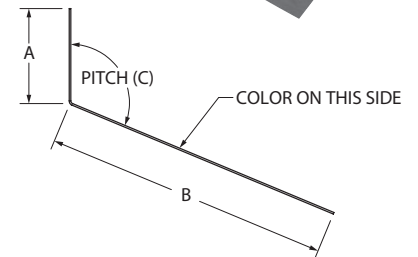
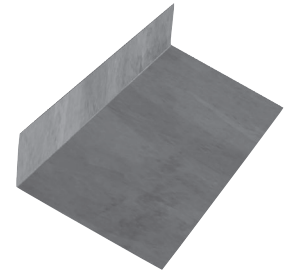
ITEM #	SIZE (")	COLOR	LGTH/FT	A (")	B (")	PCS/BNDL	WT/100
380919	2 x 2	Black	10	2	2	10	302
380920	2 x 2	Grey	10	2	2	10	302
380986	2 x 2	Stainless Steel	10	2	2	10	233
380921	2 x 3	Galvanized	10	2	3	10	378
380922	2 x 3	Brown	10	2	3	10	378
380923	2 x 3	White	10	2	3	10	378
380924	2 x 3	Black	10	2	3	10	378
380925	2 x 3	Grey	10	2	3	10	378
380926	2 x 4	Galvanized	10	2	4	10	453
380927	2 x 4	Brown	10	2	4	10	453
380928	2 x 4	White	10	2	4	10	453
380929	2 x 4	Black	10	2	4	10	453
380930	2 x 4	Grey	10	2	4	10	453
380931	3 x 3	Galvanized	10	3	3	10	453
380932	3 x 3	Brown	10	3	3	10	453
380933	3 x 3	White	10	3	3	10	453
380934	3 x 3	Black	10	3	3	10	453
380935	3 x 3	Grey	10	3	3	10	453
380936	3 x 4	Galvanized	10	3	4	5	529
380937	3 x 4	Brown	10	3	4	5	529
380938	3 x 4	White	10	3	4	5	529
380939	3 x 4	Black	10	3	4	5	529
380940	3 x 4	Grey	10	3	4	5	529
380941	3 x 5	Galvanized	10	3	5	5	604
380942	3 x 5	Brown	10	3	5	5	604
380943	3 x 5	White	10	3	5	5	604
380944	3 x 5	Black	10	3	5	5	604
380945	3 x 5	Grey	10	3	5	5	604
380951	4 x 4	Galvanized	10	4	4	5	604
380952	4 x 4	Brown	10	4	4	5	604
380953	4 x 4	White	10	4	4	5	604
380954	4 x 4	Black	10	4	4	5	604
380955	4 x 4	Grey	10	4	4	5	604
380961	4 x 6	Galvanized	10	4	6	5	755
380962	4 x 6	Brown	10	4	6	5	755
380963	4 x 6	White	10	4	6	5	755
380964	4 x 6	Black	10	4	6	5	755
380965	4 x 6	Grey	10	4	6	5	755
380971	6 x 6	Galvanized	10	6	6	5	906
380972	6 x 6	Brown	10	6	6	5	906
380973	6 x 6	White	10	6	6	5	906
380974	6 x 6	Black	10	6	6	5	906
380975	6 x 6	Grey	10	6	6	5	906



– E.&O.E. – Subject to Change Without Notice – May Not Be Available At All Locations –

ROOF TO WALL FLASHINGS

ITEM #	SIZE (")	COLOR	LGTH/FT	A (")	B (")	C	PCS/BNDL	WT/100
382301	1 x 3	Galvanized	10	1	3	5/12	20	219
382302	1 x 3	Brown	10	1	3	5/12	20	219
382303	1 x 3	White	10	1	3	5/12	20	219
382304	1 x 3	Black	10	1	3	5/12	20	219
382305	1 x 3	Grey	10	1	3	5/12	20	219
382306	2 x 3	Galvanized	10	1	3	5/12	10	273
382307	2 x 3	Brown	10	2	3	5/12	10	273
382308	2 x 3	White	10	2	3	5/12	10	273
382309	2 x 3	Black	10	2	3	5/12	10	273
382310	2 x 3	Grey	10	2	3	5/12	10	273



28 GAUGE

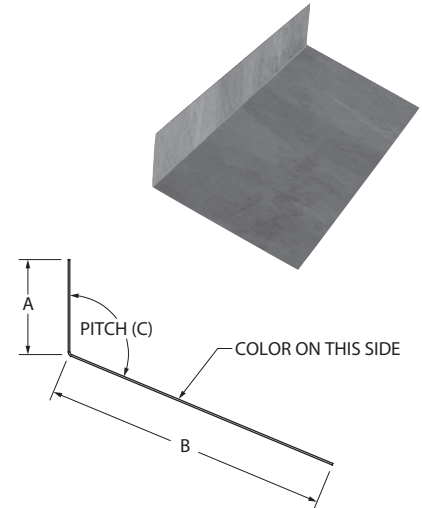
ITEM #	SIZE (")	COLOR	LGTH/FT	A (")	B (")	C	PCS/BNDL	WT/100
382351	3 x 5	Galvanized	10	3	5	5/12	5	521
382352	3 x 5	Brown	10	3	5	5/12	5	521
382353	3 x 5	White	10	3	5	5/12	5	521
382354	3 x 5	Black	10	3	5	5/12	5	521
382355	3 x 5	Grey	10	3	5	5/12	5	521
382356	3 x 5	Stainless Steel	10	3	5	5/23		466
382361	4 x 4	Galvanized	10	4	4	5/12	5	521
382362	4 x 4	Brown	10	4	4	5/12	5	521
382363	4 x 4	White	10	4	4	5/12	5	521
382364	4 x 4	Black	10	4	4	5/12	5	521
382365	4 x 4	Grey	10	4	4	5/12	5	521
382371	4 x 6	Galvanized	10	4	6	5/12	5	651
382372	4 x 6	Brown	10	4	6	5/12	5	651
382373	4 x 6	White	10	4	6	5/12	5	651
382374	4 x 6	Black	10	4	6	5/12	5	651
382375	4 x 6	Grey	10	4	6	5/12	5	651
382381	5 x 5	Galvanized	10	5	5	5/12	5	651
382382	5 x 5	Brown	10	5	5	5/12	5	651
382383	5 x 5	White	10	5	5	5/12	5	651
382384	5 x 5	Black	10	5	5	5/12	5	651
382385	5 x 5	Grey	10	5	5	5/12	5	651
382401	3 x 5	Galvanized	10	3	5	9/12	5	521
382402	3 x 5	Brown	10	3	5	9/12	5	521
382403	3 x 5	White	10	3	5	9/12	5	521
382404	3 x 5	Black	10	3	5	9/12	5	521
382405	3 x 5	Grey	10	3	5	9/12	5	521
382411	4 x 4	Galvanized	10	4	4	9/12	5	521
382412	4 x 4	Brown	10	4	4	9/12	5	521
382413	4 x 4	White	10	4	4	9/12	5	521
382414	4 x 4	Black	10	4	4	9/12	5	521
382415	4 x 4	Grey	10	4	4	9/12	5	521
382421	4 x 6	Galvanized	10	4	6	9/12	5	651
382422	4 x 6	Brown	10	4	6	9/12	5	651
382423	4 x 6	White	10	4	6	9/12	5	651
382424	4 x 6	Black	10	4	6	9/12	5	651
382425	4 x 6	Grey	10	4	6	9/12	5	651
382431	5 x 5	Galvanized	10	5	5	9/12	5	651
382432	5 x 5	Brown	10	5	5	9/12	5	651
382433	5 x 5	White	10	5	5	9/12	5	651
382434	5 x 5	Black	10	5	5	9/12	5	651
382435	5 x 5	Grey	10	5	5	9/12	5	651

- E.&O.E. - Subject to Change Without Notice - May Not Be Available At All Locations -

ROOF TO WALL FLASHINGS (cont'd)

26 GAUGE

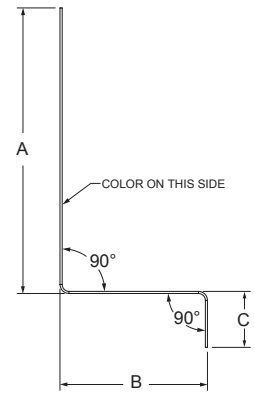
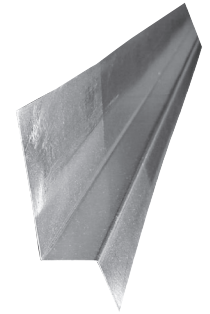
ITEM #	SIZE (")	COLOR	LGTH/FT	A (")	B (")	C	PCS/BNDL	WT/100
382451	1 x 3	Galvanized	10	1	3	5/12	10	302
382452	1 x 3	Brown	10	1	3	5/12	10	302
382453	1 x 3	White	10	1	3	5/12	10	302
382454	1 x 3	Black	10	1	3	5/12	10	302
382455	1 x 3	Grey	10	1	3	5/12	10	302
382461	2 x 3	Galvanized	10	1	3	5/12	10	378
382462	2 x 3	Brown	10	2	3	5/12	10	378
382463	2 x 3	White	10	2	3	5/12	10	378
382464	2 x 3	Black	10	2	3	5/12	10	378
382465	2 x 3	Grey	10	2	3	5/12	10	378
382471	3 x 5	Galvanized	10	3	5	5/12	5	604
382472	3 x 5	Brown	10	3	5	5/12	5	604
382473	3 x 5	White	10	3	5	5/12	5	604
382474	3 x 5	Black	10	3	5	5/12	5	604
382475	3 x 5	Grey	10	3	5	5/12	5	604
382481	4 x 4	Galvanized	10	4	4	5/12	5	604
382482	4 x 4	Brown	10	4	4	5/12	5	604
382483	4 x 4	White	10	4	4	5/12	5	604
382484	4 x 4	Black	10	4	4	5/12	5	604
382485	4 x 4	Grey	10	4	4	5/12	5	604
382491	4 x 6	Galvanized	10	4	6	5/12	5	755
382492	4 x 6	Brown	10	4	6	5/12	5	755
382493	4 x 6	White	10	4	6	5/12	5	755
382494	4 x 6	Black	10	4	6	5/12	5	755
382495	4 x 6	Grey	10	4	6	5/12	5	755
382501	5 x 5	Galvanized	10	5	5	5/12	5	755
382502	5 x 5	Brown	10	5	5	5/12	5	755
382503	5 x 5	White	10	5	5	5/12	5	755
382504	5 x 5	Black	10	5	5	5/12	5	755
382505	5 x 5	Grey	10	5	5	5/12	5	755
382551	3 x 5	Galvanized	10	3	5	9/12	5	604
382552	3 x 5	Brown	10	3	5	9/12	5	604
382553	3 x 5	White	10	3	5	9/12	5	604
382554	3 x 5	Black	10	3	5	9/12	5	604
382555	3 x 5	Grey	10	3	5	9/12	5	604
382561	4 x 4	Galvanized	10	4	4	9/12	5	604
382562	4 x 4	Brown	10	4	4	9/12	5	604
382563	4 x 4	White	10	4	4	9/12	5	604
382564	4 x 4	Black	10	4	4	9/12	5	604
382565	4 x 4	Grey	10	4	4	9/12	5	604
382571	4 x 6	Galvanized	10	4	6	9/12	5	755
382572	4 x 6	Brown	10	4	6	9/12	5	755
382573	4 x 6	White	10	4	6	9/12	5	755
382574	4 x 6	Black	10	4	6	9/12	5	755
382575	4 x 6	Grey	10	4	6	9/12	5	755
382581	5 x 5	Galvanized	10	5	5	9/12	5	755
382582	5 x 5	Brown	10	5	5	9/12	5	755
382583	5 x 5	White	10	5	5	9/12	5	755
382584	5 x 5	Black	10	5	5	9/12	5	755
382585	5 x 5	Grey	10	5	5	9/12	5	755



-E.&O.E. - Subject to Change Without Notice - May Not Be Available At All Locations -

Z METAL FLASHINGS — 90°

ITEM #	SIZE (")	COLOR	LGTH/FT	A (")	B (")	C (")	PCS/BNDL	WT/100
389916	2-1/4 x 3/8 x 3/8	Galvanized	10	2-1/4	3/8	3/8	20	164
389917	2-1/4 x 3/8 x 3/8	Brown	10	2-1/4	3/8	3/8	20	164
389918	2-1/4 x 3/8 x 3/8	White	10	2-1/4	3/8	3/8	20	164
389919	2-1/4 x 3/8 x 3/8	Black	10	2-1/4	3/8	3/8	20	164
389923	2-1/8 x 7/16 x 3/8	Galvanized	10	2-1/8	7/16	3/8	20	164
389925	2-1/8 x 7/16 x 3/8	White	10	2-1/8	7/16	3/8	20	164
389645	2-1/8 x 1/2 x 3/8	Galvanized	10	2-1/8	1/2	3/8	20	164
389910	2-1/8 x 1/2 x 3/8	Brown	10	2-1/8	1/2	3/8	20	164
389912	2-1/8 x 1/2 x 3/8	White	10	2-1/8	1/2	3/8	20	164
389899	2-1/8 x 1/2 x 3/8	Black	10	2-1/8	1/2	3/8	20	164
389633	2-1/8 x 1 x 3/8	Stainless Steel	10	2-1/8	1	3/8	20	204
389637	2-1/8 x 1-1/2 x 3/8	Stainless Steel	10	2-1/8	1-1/2	3/8	20	233
389926	2 x 5/8 x 3/8	Galvanized	10	2	5/8	3/8	20	164
389927	2 x 5/8 x 3/8	Brown	10	2	5/8	3/8	20	164
389928	2 x 5/8 x 3/8	White	10	2	5/8	3/8	20	164
389929	2 x 5/8 x 3/8	Black	10	2	5/8	3/8	20	164
389630	2 x 5/8 x 3/8	Stainless Steel	10	2	5/8	3/8	20	175
389631	2 x 3/4 x 3/8 28 GA	Stainless Steel	10	2	3/4	3/8		182
389886	1-7/8 x 3/4 x 3/8	Galvanized	10	1-7/8	3/4	3/8	10	164
389889	1-7/8 x 3/4 x 3/8	Brown	10	1-7/8	3/4	3/8	10	164
389888	1-7/8 x 3/4 x 3/8	White	10	1-7/8	3/4	3/8	10	164
389890	1-7/8 x 3/4 x 3/8	Black	10	1-7/8	3/4	3/8	10	164
389631	1-7/8 x 3/4 x 3/8	Stainless Steel	10	1-7/8	3/4	3/8	10	175
389635	1-7/8 x 1-1/4 x 3/8	Stainless Steel	10	1-7/8	1-1/4	3/8	10	204
389653	1-1/2 x 1 x 1/4 26 GA	Aluminum	10	1-1/2	1	1/4	10	52
390108	2 x 5/16 x 3/8	White	10	2	5/16	3/8		150
389941	2 x 1 x 3/8	Galvanized	10	2	1	3/8	20	185
389944	2 x 1 x 3/8	Brown	10	2	1	3/8	20	191
389943	2 x 1 x 3/8	White	10	2	1	3/8	20	185
389942	2 x 1 x 3/8	Black	10	2	1	3/8	20	191
389932	2 x 1-1/8 x 3/8	Galvanized	10	2	1-1/8	3/8	20	191
389933	2 x 1-1/8 x 3/8	Brown	10	2	1-1/8	3/8	20	191
389934	2 x 1-1/8 x 3/8	White	10	2	1-1/8	3/8	20	191
389634	2 x 1-1/8 x 3/8	Stainless Steel	10	2	1-1/8	3/8	20	204
389951	2 x 1-1/4 x 3/8	Galvanized	10	2	1-1/4	3/8	10	205
389953	2 x 1-1/4 x 3/8	White	10	2	1-1/4	3/8	10	205
389961	2 x 1-1/2 x 3/8	Galvanized	10	2	1-1/2	3/8	20	219
389882	2 x 1-1/2 x 3/8	Brown	10	2	1-1/2	3/8	20	219
389963	2 x 1-1/2 x 3/8	White	10	2	1-1/2	3/8	20	219
389962	2 x 1-1/2 x 3/8	Black	10	2	1-1/2	3/8	20	219
389913	2 x 1-5/8 x 3/8	Galvanized	10	2	1-5/8	3/8	20	219
389914	2 x 1-5/8 x 3/8	Brown	10	2	1-5/8	3/8	20	219
389915	2 x 1-5/8 x 3/8	White	10	2	1-5/8	3/8	20	219
389971	2 x 2 x 3/8	Galvanized	10	2	2	3/8	10	246
389972	2 x 2 x 3/8	Brown	10	2	2	3/8	10	246
389973	2 x 2 x 3/8	White	10	2	2	3/8	10	246
390114	2 x 2 x 3/8	Black	10	2	2	3/8	10	246
389641	2 x 2 x 3/8	Stainless Steel	10	2	3	3/8	10	255
389974	2 x 2-1/2 x 3/8 28 G	Galvanized	10	2	2-1/2	3/8	10	325
390103	2-1/2 x 2-1/2 x 3/8	White	10	2-1/2	2-1/2	3/8	10	301
389975	2 x 3 x 3/8	White	10	2	3	3/8	10	287
389841	3 x 1 x 3/8	Galvanized	10	3	1	3/8	10	232

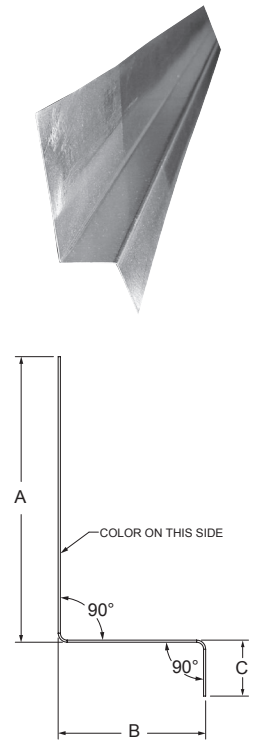


(cont'd on next page)

- E.&O.E. - Subject to Change Without Notice - May Not Be Available At All Locations -

Z METAL FLASHINGS — 90° (cont'd)

ITEM #	SIZE (")	COLOR	LGTH/FT	A (")	B (")	C (")	PCS/BNDL	WT/100
389842	3 × 1 × 3/8	Brown	10	3	1	3/8	10	232
389843	3 × 1 × 3/8	White	10	3	1	3/8	10	232
389852	3 × 1-1/8 × 3/8	Galvanized	10	3	1-1/8	3/8	10	246
389853	3 × 1-1/8 × 3/8	Brown	10	3	1-1/8	3/8	10	246
389854	3 × 1-1/8 × 3/8	White	10	3	1-1/8	3/8	10	246
389861	3 × 1-1/4 × 3/8	Galvanized	10	3	1-1/4	3/8	10	246
389862	3 × 1-1/4 × 3/8	Brown	10	3	1-1/4	3/8	10	246
389863	3 × 1-1/4 × 3/8	White	10	3	1-1/4	3/8	10	246
389871	3 × 1-1/2 × 3/8	Galvanized	10	3	1-1/2	3/8	10	260
389872	3 × 1-1/2 × 3/8	Brown	10	3	1-1/2	3/8	10	260
389873	3 × 1-1/2 × 3/8	White	10	3	1-1/2	3/8	10	260
389658	4 × 1 × 3/8	Galvanized	10	4	1	3/8	10	287
389659	4 × 1 × 3/8	Brown	10	4	1	3/8	10	287
389660	4 × 1 × 3/8	White	10	4	1	3/8	10	287
389667	4 × 1-1/8 × 3/8	Galvanized	10	4	1-1/8	3/8	10	301
389668	4 × 1-1/8 × 3/8	Brown	10	4	1-1/8	3/8	10	301
389669	4 × 1-1/8 × 3/8	White	10	4	1-1/8	3/8	10	301
389676	4 × 1-1/4 × 3/8	Galvanized	10	4	1-1/4	3/8	10	308
389677	4 × 1-1/4 × 3/8	Brown	10	4	1-1/4	3/8	10	308
389678	4 × 1-1/4 × 3/8	White	10	4	1-1/4	3/8	10	308
389811	4 × 1-1/2 × 3/8	Galvanized	10	4	1-1/2	3/8	10	328
389812	4 × 1-1/2 × 3/8	Brown	10	4	1-1/2	3/8	10	328
389813	4 × 1-1/2 × 3/8	White	10	4	1-1/2	3/8	10	328
389814	4 × 1-1/2 × 3/8	Black	10	4	1-1/2	3/8	10	328
389883	4-1/2 × 1-1/2 × 3/8	White	10	4-1/2	1-1/2	3/8	10	342
389616	6 × 1-1/2 × 3/8	Brown	10	6	1-1/2	3/8	10	437



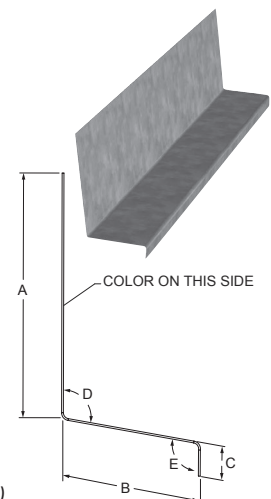
SHAKE MOLD (SM)

ITEM #	SIZE (")	COLOR	LGTH/FT	A (")	B (")	C (")	PCS/BNDL	WT/100
389891	1 × 1-1/4 × 1/4	Galvanized	10	1	1-1/4	1/4	10	137
389892	1 × 1-1/4 × 1/4	Brown	10	1	1-1/4	1/4	10	137
389893	1 × 1-1/4 × 1/4	White	10	1	1-1/4	1/4	10	137
389896	1 × 1-1/2 × 1/4	Galvanized	10	1	1-1/2	1/4	10	150
389897	1 × 1-1/2 × 1/4	Brown	10	1	1-1/2	1/4	10	150
389898	1 × 1-1/2 × 1/4	White	10	1	1-1/2	1/4	10	150

SLOPED Z METAL FLASHINGS

100°

ITEM #	SIZE (")	COLOR	LGTH/FT	A (")	B (")	C (")	D (°)	E (°)	PCS/BNDL	WT/100
389995	2 × 1-1/8 @ 100 × 1/4 @ 90	Brown	10	2	1-1/8	1/4	100	90	10	185
389976	2 × 1-1/8 @ 100 × 1/4 @ 90	White	10	2	1-1/8	1/4	100	90	10	185
389993	2 × 1-1/4 @ 100 × 1/4 @ 90	Brown	10	2	1-1/4	1/4	100	90	10	191
389994	2 × 1-1/4 @ 100 × 1/4 @ 90	White	10	2	1-1/4	1/4	100	90	10	191
389977	2 × 1-1/2 @ 100 × 1/4 @ 90	Brown	10	2	1-1/2	1/4	100	90	10	205
389978	2 × 1-1/2 @ 100 × 1/4 @ 90	White	10	2	1-1/2	1/4	100	90	10	205
389709	2 × 3/8 × 3/8 @ 100	Galvanized	10	2	3/8	3/8	100	100	20	164
389710	2 × 3/8 × 3/8 @ 100	Brown	10	2	3/8	3/8	100	100	20	164
389711	2 × 3/8 × 3/8 @ 100	White	10	2	3/8	3/8	100	100	20	164
389717	2 × 1/2 × 3/8 @ 100	Galvanized	10	2	1/2	3/8	100	100	20	164
389718	2 × 1/2 × 3/8 @ 100	Brown	10	2	1/2	3/8	100	100	20	164
389719	2 × 1/2 × 3/8 @ 100	White	10	2	1/2	3/8	100	100	20	164



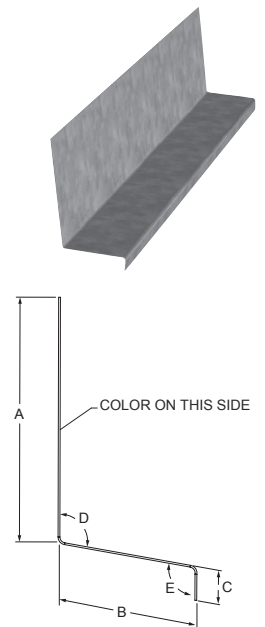
(cont'd on next page)

-E.&O.E. - Subject to Change Without Notice - May Not Be Available At All Locations -

SLOPED Z METAL FLASHINGS (cont'd)

100° (cont'd)

ITEM #	SIZE (")	COLOR	LGTH/FT	A (")	B (")	C (")	D (°)	E (°)	PCS/BNDL	WT/100
389730	2 × 5/8 × 3/8 @ 100	Galvanized	10	2	5/8	3/8	100	100	20	164
389731	2 × 5/8 × 3/8 @ 100	Brown	10	2	5/8	3/8	100	100	20	164
389732	2 × 5/8 × 3/8 @ 100	White	10	2	5/8	3/8	100	100	20	164
389742	2 × 3/4 × 3/8 @ 100	Galvanized	10	2	3/4	3/8	100	100	20	164
389743	2 × 3/4 × 3/8 @ 100	Brown	10	2	3/4	3/8	100	100	20	164
389744	2 × 3/4 × 3/8 @ 100	White	10	2	3/4	3/8	100	100	20	164
389754	2 × 1 × 3/8 @ 100	Galvanized	10	2	1	3/8	100	100	20	191
389755	2 × 1 × 3/8 @ 100	Brown	10	2	1	3/8	100	100	20	191
389756	2 × 1 × 3/8 @ 100	White	10	2	1	3/8	100	100	20	191
389757	2 × 1 × 3/8 @ 100	Black	10	2	1	3/8	100	100	20	191
389935	2 × 1-1/8 × 3/8 @ 100	Galvanized	10	2	1-1/8	3/8	100	100	20	191
389936	2 × 1-1/8 × 3/8 @ 100	Brown	10	2	1-1/8	3/8	100	100	20	191
389937	2 × 1-1/8 × 3/8 @ 100	White	10	2	1-1/8	3/8	100	100	20	191
389954	2 × 1-1/4 × 3/8 @ 100	Galvanized	10	2	1-1/4	3/8	100	100	20	191
389955	2 × 1-1/4 × 3/8 @ 100	Brown	10	2	1-1/4	3/8	100	100	20	198
389956	2 × 1-1/4 × 3/8 @ 100	White	10	2	1-1/4	3/8	100	100	20	198
389957	2 × 1-1/4 × 3/8 @ 100	Black	10	2	1-1/4	3/8	100	100	20	191
389964	2 × 1-1/2 × 3/8 @ 100	Galvanized	10	2	1-1/2	3/8	100	100	20	219
389965	2 × 1-1/2 × 3/8 @ 100	Brown	10	2	1-1/2	3/8	100	100	20	219
389966	2 × 1-1/2 × 3/8 @ 100	White	10	2	1-1/2	3/8	100	100	20	219
389967	2 × 1-1/2 × 3/8 @ 100	Black	10	2	1-1/2	3/8	100	100	20	219
389762	2 × 1-5/8 × 3/8 @ 100	Galvanized	10	2	1-5/8	3/8	100	100	20	219
389763	2 × 1-5/8 × 3/8 @ 100	Brown	10	2	1-5/8	3/8	100	100	20	219
389764	2 × 1-5/8 × 3/8 @ 100	White	10	2	1-5/8	3/8	100	100	20	219
389945	2 × 2 × 3/8 @ 100 28 GA	White	10	2	2	3/8	100	100	20	285
389846	3 × 1 × 3/8 @ 100	Galvanized	10	3	1	3/8	100	100	10	232
389847	3 × 1 × 3/8 @ 100	Brown	10	3	1	3/8	100	100	10	232
389848	3 × 1 × 3/8 @ 100	White	10	3	1	3/8	100	100	10	232
389855	3 × 1-1/8 × 3/8 @ 100	Galvanized	10	3	1-1/8	3/8	100	100	10	246
389856	3 × 1-1/8 × 3/8 @ 100	Brown	10	3	1-1/8	3/8	100	100	10	246
389857	3 × 1-1/8 × 3/8 @ 100	White	10	3	1-1/8	3/8	100	100	10	246
389864	3 × 1-1/4 × 3/8 @ 100	Galvanized	10	3	1-1/4	3/8	100	100	10	246
389865	3 × 1-1/4 × 3/8 @ 100	Brown	10	3	1-1/4	3/8	100	100	10	246
389866	3 × 1-1/4 × 3/8 @ 100	White	10	3	1-1/4	3/8	100	100	10	246
389831	3 × 1-1/2 × 3/8 @ 100	Galvanized	10	3	1-1/2	3/8	100	100	10	260
389832	3 × 1-1/2 × 3/8 @ 100	Brown	10	3	1-1/2	3/8	100	100	10	260
389833	3 × 1-1/2 × 3/8 @ 100	White	10	3	1-1/2	3/8	100	100	10	260
389661	4 × 1 × 3/8 @ 100	Galvanized	10	4	1	3/8	100	100	10	287
389662	4 × 1 × 3/8 @ 100	Brown	10	4	1	3/8	100	100	10	287
389663	4 × 1 × 3/8 @ 100	White	10	4	1	3/8	100	100	10	287
389670	4 × 1-1/8 × 3/8 @ 100	Galvanized	10	4	1-1/8	3/8	100	100	10	301
389671	4 × 1-1/8 × 3/8 @ 100	Brown	10	4	1-1/8	3/8	100	100	10	301
389672	4 × 1-1/8 × 3/8 @ 100	White	10	4	1-1/8	3/8	100	100	10	301
389679	4 × 1-1/4 × 3/8 @ 100	Galvanized	10	4	1-1/4	3/8	100	100	10	308
389680	4 × 1-1/4 × 3/8 @ 100	Brown	10	4	1-1/4	3/8	100	100	10	308
389681	4 × 1-1/4 × 3/8 @ 100	White	10	4	1-1/4	3/8	100	100	10	308
389818	4 × 1-1/2 × 3/8 @ 100	Galvanized	10	4	1-1-2	3/8	100	100	10	328
389819	4 × 1-1/2 × 3/8 @ 100	Brown	10	4	1-1-2	3/8	100	100	10	328
389820	4 × 1-1/2 × 3/8 @ 100	White	10	4	1-1-2	3/8	100	100	10	328

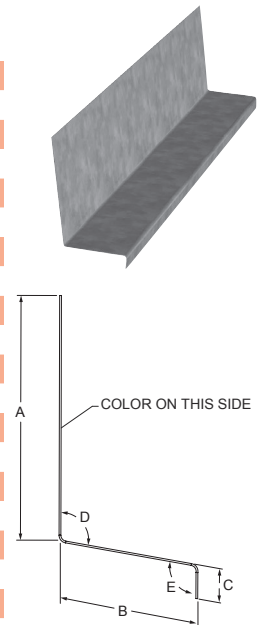


-E.&O.E. - Subject to Change Without Notice - May Not Be Available At All Locations -

SLOPED Z METAL FLASHINGS (cont'd)

110°

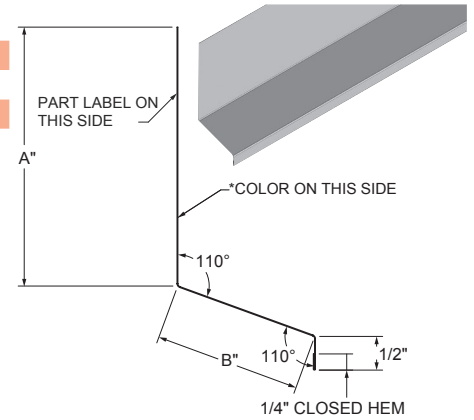
ITEM #	SIZE (")	COLOR	LGTH/FT	A (")	B (")	C (")	D (°)	E (°)	PCS/BNDL	WT/100
389612	2 × 3/8 × 1/4 @ 110 26 GA	White	10	2	3/8	1/4	110	110	10	198
390057	2 × 7/8 × 3/8 @ 110 28 GA	White	10	2	7/8	3/8	110	110	10	244
389948	2 × 1 × 3/8 @ 110	Galvanized	10	2	1	3/8	110	110	10	185
389949	2 × 1 × 3/8 @ 110	Brown	10	2	1	3/8	110	110	10	185
389950	2 × 1 × 3/8 @ 110	White	10	2	1	3/8	110	110	10	185
389938	2 × 1-1/8 × 3/8 @ 110	Galvanized	10	2	1-1/8	3/8	110	110	10	191
389939	2 × 1-1/8 × 3/8 @ 110	Brown	10	2	1-1/8	3/8	110	110	10	191
389940	2 × 1-1/8 × 3/8 @ 110	White	10	2	1-1/8	3/8	110	110	10	191
389958	2 × 1-1/4 × 3/8 @ 110	Galvanized	10	2	1-1/4	3/8	110	110	10	205
389959	2 × 1-1/4 × 3/8 @ 110	Brown	10	2	1-1/4	3/8	110	110	10	198
389960	2 × 1-1/4 × 3/8 @ 110	White	10	2	1-1/4	3/8	110	110	10	198
389968	2 × 1-1/2 × 3/8 @ 110	Galvanized	10	2	1-1/2	3/8	110	110	10	219
389969	2 × 1-1/2 × 3/8 @ 110	Brown	10	2	1-1/2	3/8	110	110	10	219
389970	2 × 1-1/2 × 3/8 @ 110	White	10	2	1-1/2	3/8	110	110	10	219
390058	2 × 2-1/2 × 3/8 @ 110 28 GA	White	10	2	1-1/2	3/8	110	110	10	350
389844	3 × 1 × 3/8 @ 110	Brown	10	3	1	3/8	110	110	10	232
389845	3 × 1 × 3/8 @ 110	White	10	3	1	3/8	110	110	10	232
389850	3 × 1-1/8 × 3/8 @ 110	White	10	3	1-1/8	3/8	110	110	10	246
389851	3 × 1-1/8 × 3/8 @ 110	Brown	10	3	1-1/8	3/8	110	110	10	246
389867	3 × 1-1/4 × 3/8 @ 110	Galvanized	10	3	1-1/4	3/8	110	110	10	246
389868	3 × 1-1/4 × 3/8 @ 110	Brown	10	3	1-1/4	3/8	110	110	10	246
389869	3 × 1-1/4 × 3/8 @ 110	White	10	3	1-1/4	3/8	110	110	10	246
389874	3 × 1-1/2 × 3/8 @ 110	Brown	10	3	1-1/2	3/8	110	110	10	260
389875	3 × 1-1/2 × 3/8 @ 110	White	10	3	1-1/2	3/8	110	110	10	267
389877	3 × 2-1/2 × 3/8 @ 110	Brown	10	3	2-1/2	3/8	110	110	10	328
389878	3 × 2-1/2 × 3/8 @ 110	White	10	3	2-1/2	3/8	110	110	10	321
389619	4 × 3/8 × 3/8 @ 110	Brown	10	4	3/8	3/8	110	110	10	260
389620	4 × 3/8 × 3/8 @ 110	White	10	4	3/8	3/8	110	110	10	260
389880	4 × 5/8 × 3/8 @ 110	White	10	4	5/8	3/8	110	110	10	273
389664	4 × 1 × 3/8 @ 110	Galvanized	10	4	1	3/8	110	110	10	287
389665	4 × 1 × 3/8 @ 110	Brown	10	4	1	3/8	110	110	10	287
389666	4 × 1 × 3/8 @ 110	White	10	4	1	3/8	110	110	10	287
389673	4 × 1-1/8 × 3/8 @ 110	Galvanized	10	4	1-1/8	3/8	110	110	10	301
389674	4 × 1-1/8 × 3/8 @ 110	Brown	10	4	1-1/8	3/8	110	110	10	301
389675	4 × 1-1/8 × 3/8 @ 110	White	10	4	1-1/8	3/8	110	110	10	301
389682	4 × 1-1/4 × 3/8 @ 110	Galvanized	10	4	1-1/4	3/8	110	110	10	308
389683	4 × 1-1/4 × 3/8 @ 110	Brown	10	4	1-1/4	3/8	110	110	10	308
389684	4 × 1-1/4 × 3/8 @ 110	White	10	4	1-1/4	3/8	110	110	10	308
389821	4 × 1-1/2 × 3/8 @ 110	Galvanized	10	4	1-1-2	3/8	110	110	10	328
389822	4 × 1-1/2 × 3/8 @ 110	Brown	10	4	1-1-2	3/8	110	110	10	328
389823	4 × 1-1/2 × 3/8 @ 110	White	10	4	1-1-2	3/8	110	110	10	328



-E.&O.E. - Subject to Change Without Notice - May Not Be Available At All Locations -

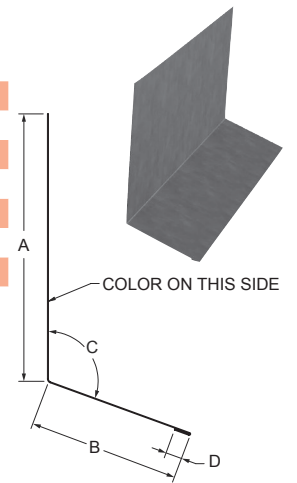
SLOPED Z METAL FLASHINGS WITH HEM

ITEM #	SIZE (")	COLOR	LGTH/FT	A (")	B (")	PCS/BNDL	WT/100
389838	3 × 1-1/2 × 1/2 @ 110	Brown	10	3	1-1/2	10	287
389839	3 × 2 × 1/2 @ 110	Brown	10	3	2	10	308
389840	4 × 2-1/4 × 1/2 @ 110	White	10	4	2-1/4	10	383



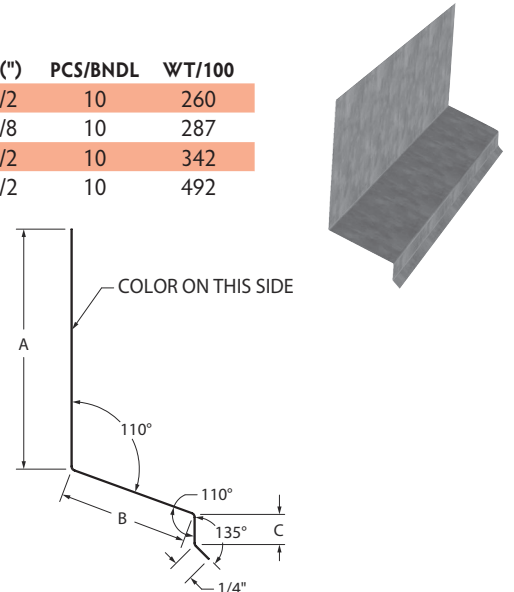
SIDING FLASHINGS WITH HEM

ITEM #	SIZE (")	COLOR	LGTH/FT	A (")	B (")	C (°)	D (")	PCS/BNDL	WT/100
381317	2 × 1-1/4 @ 100 28 GA	Brown	10	2	1-1/4	100	1/4	10	236
385502	3 × 1 @ 90	Brown	10	3	1	90	1/4	10	232
381967	3 × 2-1/4 @ 110	Brown	10	3	2-1/4	110	1/4	10	301
381302	3-3/4 × 1-1/2 @ 110	Brown	10	3-3/4	1-1/2	110	1/4	10	301
381957	4 × 2 @ 110	Brown	12	4	2	110	1/4	10	426
381312	4 × 2 × 3/8 @ 120	Brown	10	4	2	120	3/8	10	355
381962	4 × 2-1/4 @ 110	Brown	10	4	2-1/4	110	1/4	10	355
381963	4 × 2-1/4 @ 110	White	10	4	2-1/4	110	1/4	10	355



SIDING FLASHINGS WITH DRIP — NO HEM

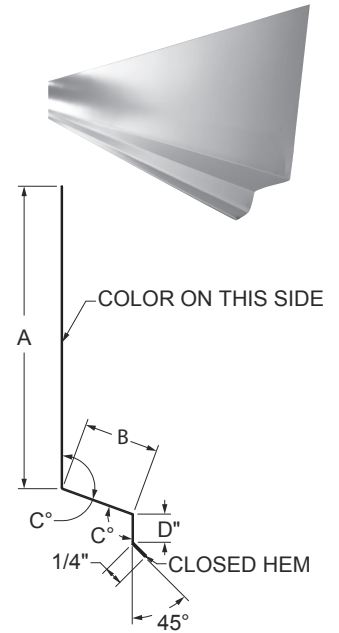
ITEM #	SIZE (")	COLOR	LGTH/FT	A (")	B (")	C (")	PCS/BNDL	WT/100
381326	3 × 1 × 1/2 @ 110° 1/4" DRP	White	10	3	1	1/2	10	260
381328	3 × 1-1/2 × 3/8 @ 110° 1/4" DRP	White	10	3	1-1/2	3/8	10	287
381330	3 × 2-1/2 × 1/2 @ 110° 1/4" DRP	White	10	3	2-1/2	1/2	10	342
381332	7 × 1-1/4 × 1/2 @ 110° 1/4" DRP	White	10	7	1-1/4	1/2	10	492



- E.&O.E. - Subject to Change Without Notice - May Not Be Available At All Locations -

SIDING FLASHINGS WITH DRIP AND HEM

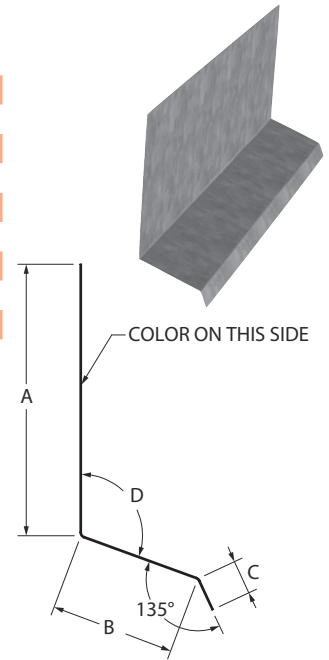
ITEM #	SIZE (")	COLOR	LGTH/FT	A (")	B (")	C (°)	D (")	PCS/BNDL	WT/100
390011	2 x 1 x 3/8	White	10	2	1	90	3/8	10	205
390012	2 x 1-1/8 x 3/8	White	10	2	1-1/8	90	3/8	10	219
390013	2 x 1-1/4 x 3/8	White	10	2	1-1/4	90	3/8	10	219
390014	2 x 1-1/2 x 3/8	White	10	2	1-1/2	90	3/8	10	232
390019	3 x 1 x 3/8	White	10	3	1	90	3/8	10	260
390020	3 x 1-1/8 x 3/8	White	10	3	1-1/8	90	3/8	10	273
390021	3 x 1-1/4 x 3/8	White	10	3	1-1/4	90	3/8	10	273
390022	3 x 1-1/2 x 3/8	White	10	3	1-1/2	90	3/8	10	287
390026	4 x 3/4 x 3/4	White	10	4	3/4	90	3/4	10	328
390027	4 x 1 x 3/8	White	10	4	1	90	3/8	10	328
390028	4 x 1-1/8 x 3/8	White	10	4	1-1/8	90	3/8	10	328
390029	4 x 1-1/4 x 3/8	White	10	4	1-1/4	90	3/8	10	328
390030	4 x 1-1/2 x 3/8	White	10	4	1-1/2	90	3/8	10	342
390035	2 x 1 x 3/8	White	10	2	1	100	3/8	10	205
390036	2 x 1-1/8 x 3/8	White	10	2	1-1/8	100	3/8	10	219
390037	2 x 1-1/4 x 3/8	White	10	2	1-1/4	100	3/8	10	219
390038	2 x 1-1/2 x 3/8	White	10	2	1-1/2	100	3/8	10	232
390043	3 x 1 x 3/8	White	10	3	1	100	3/8	10	260
390044	3 x 1-1/8 x 3/8	White	10	3	1-1/8	100	3/8	10	273
390045	3 x 1-1/4 x 3/8	White	10	3	1-1/4	100	3/8	10	273
390046	3 x 1-1/2 x 3/8	White	10	3	1-1/2	100	3/8	10	287
390051	4 x 1 x 3/8	White	10	4	1	100	3/8	10	328
390052	4 x 1-1/8 x 3/8	White	10	4	1-1/8	100	3/8	10	328
390053	4 x 1-1/4 x 3/8	White	10	4	1-1/4	100	3/8	10	328
390054	4 x 1-1/2 x 3/8	White	10	4	1-1/2	100	3/8	10	342
390059	2 x 1 x 3/8	White	10	2	1	110	3/8	10	205
390060	2 x 1-1/8 x 3/8	White	10	2	1-1/8	110	3/8	10	219
390061	2 x 1-1/4 x 3/8	White	10	2	1-1/4	110	3/8	10	219
390062	2 x 1-1/2 x 3/8	White	10	2	1-1/2	110	3/8	10	232
389979	3 x 1 x 3/8	White	10	3-1/8	1	110	3/8	10	267
390067	3 x 1-1/8 x 3/8	White	10	3	1-1/8	110	3/8	10	273
390068	3 x 1-1/4 x 3/8	White	10	3	1-1/4	110	3/8	10	273
389983	3 x 1-1/2 x 3/8	White	10	2-7/8	1-1/2	110	3/8	10	294
389985	3 x 2 x 3/8	White	10	3	2	110	3/8	10	328
389987	3 x 2-1/2 x 3/8	White	10	3	2-1/2	110	3/8	10	348
390070	4 x 3/4 x 3/8	White	10	4	3/4	110	3/8	10	308
389980	4 x 1 x 3/8	White	10	4-1/8	1	110	3/8	10	328
390081	4 x 1 x 3/8 26GA	Stainless Steel	10	4	1	110	3/8		394
390073	4 x 1-1/8 x 3/8	White	10	4	1-1/8	110	3/8	10	328
389981	4 x 1-1/4 x 3/8	White	10	3-7/8	1-1/4	110	3/8	10	328
390082	4 x 1-1/4 x 3/8 26GA	Stainless Steel	10	4	1-1/4	110	3/8		410
389982	4 x 1-1/2 x 3/8	White	10	3-7/8	1-1/2	110	3/8	10	342
390083	4 x 1-1/2 x 3/8 26GA	Stainless Steel	10	4	1-1/2	110	3/8		427
389986	4 x 2-1/2 x 3/8	White	10	4	2-1/2	110	3/8	10	437



- E.&O.E. - Subject to Change Without Notice - May Not Be Available At All Locations -

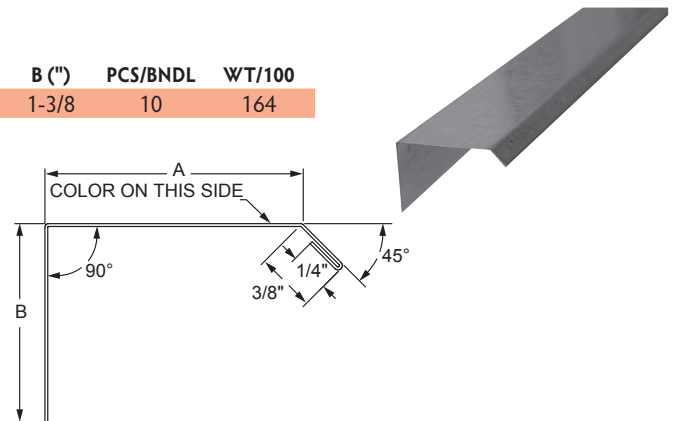
WINDOW FLASHINGS — NO HEM

ITEM #	SIZE (")	COLOR	LGTH/FT	A (")	B (")	C (")	PCS/BNDL	WT/100
381242	2 × 1-1/8 @ 100° 1/4" DRP 28GA	Brown	10	2	1-1/8	1/4	10	220
381241	2 × 1-1/8 @ 100° 1/4" DRP 28GA	White	10	2	1-1/8	1/4	10	220
381323	3 × 1-3/8 @ 110° 3/8" DRP	White	10	3	1-3/8	3/8	10	260
381325	3 × 1-1/2 × @ 110° 1/4" DRP	Brown	10	3	1-1/2	1/4	10	260
381243	2 × 1-1/2 @ 100° 1/4" DRP 28GA	White	10	2	1-1/2	1/4	10 <td 244	
389182	2 × 1-1/2 @ 100° 3/8" DRP	Brown	10	2	1-1/2	3/8	10	219
381321	1-1/2 × 1-1/4 @ 90° 5/8 DRP 26GA	White	10	1-1/2	1-1/4	5/8	10	264
389183	2 × 1-1/2 @ 100° 3/8" DRP	White	10	2	1-1/2	3/8	10	219
381322	2 × 3/4 @ 90° 1/4" DRP	Brown	10	2	3/4	1/4	10	164



REVERSE FLASHINGS — NO SAFETY

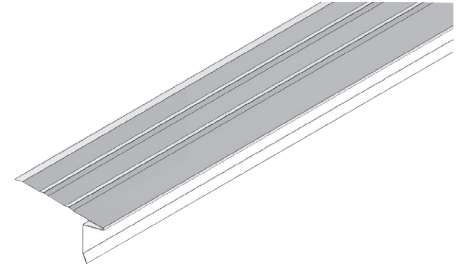
ITEM #	SIZE (")	COLOR	LGTH/FT	A (")	B (")	PCS/BNDL	WT/100
381333	1-1/4 × 1-3/8 @ 90 3/8" DRP	White	10	1-1/4	1-3/8	10	164



– E.&O.E. – Subject to Change Without Notice – May Not Be Available At All Locations –

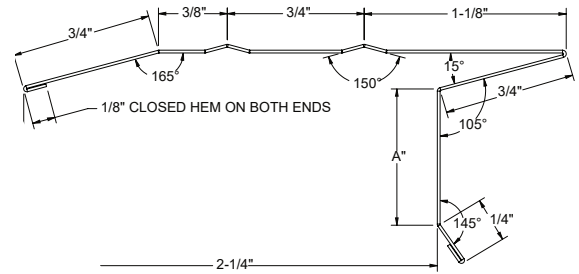
EDGE FLASHINGS — "D" WIDE

ITEM #	SIZE (")	COLOR	LGTH/FT	A (")	PCS/BNDL	WT/100
381461	3/4	Galvanized	10	3/4	20	273
381462	3/4	Brown	10	3/4	20	273
381463	3/4	White	10	3/4	20	273
381464	3/4	Black	10	3/4	20	273
381465	3/4	Grey	10	3/4	20	273
381467	1-3/4	Brown	10	1-3/4	10	328
381468	1-3/4	White	10	1-3/4	10	328



28 GAUGE

ITEM #	SIZE (")	COLOR	LGTH/FT	A (")	PCS/BNDL	WT/100
381471	3/4	Galvanized	10	3/4	10	325
381472	3/4	Brown	10	3/4	10	325
381473	3/4	White	10	3/4	10	325
381474	3/4	Black	10	3/4	10	325
381475	3/4	Grey	10	3/4	10	325
381477	1-3/4	Black	10	1-3/4	10	390



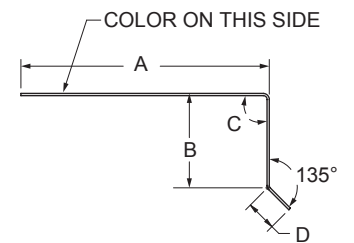
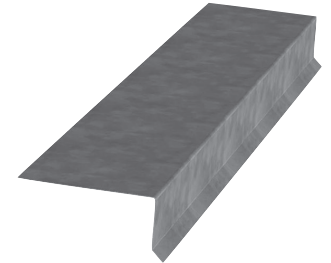
26 GAUGE

ITEM #	SIZE (")	COLOR	LGTH/FT	A (")	PCS/BNDL	WT/100
381482	3/4	Brown	10	3/4	10	378
381483	3/4	White	10	3/4	10	378
381484	3/4	Black	10	3/4	10	378
381485	3/4	Grey	10	3/4	10	378

EDGE FLASHINGS — "G" DRIP

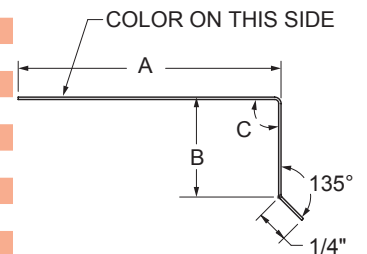
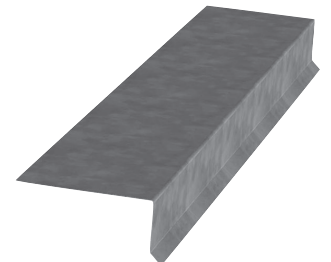
90°

ITEM #	SIZE (")	COLOR	LGTH/FT	A (")	B (")	C	D (")	PCS/BNDL	WT/100
381001	1-3/8	Galvanized	10	1-3/8	1-3/8	90°	1/4	20	164
381002	1-3/8	Brown	10	1-3/8	1-3/8	90°	1/4	20	164
381003	1-3/8	White	10	1-3/8	1-3/8	90°	1/4	20	164
381004	1-3/8	Black	10	1-3/8	1-3/8	90°	1/4	20	164
381005	1-3/8	Grey	10	1-3/8	1-3/8	90°	1/4	20	164
381140	1-3/8	Stainless Steel	10	1-3/8	1-3/8	90°	1/4	20	175
381167	2 x 3/4	Brown	10	2	3/4	90°	1/4	10	164
381180	2 x 1-3/4	Galvanized	8	2	1-3/4	90°	3/8		197
381006	2 x 2	Galvanized	10	2	2	90°	1/4	10	232
381007	2 x 2	Brown	10	2	2	90°	1/4	10	232
381008	2 x 2	White	10	2	2	90°	1/4	10	232
381009	2 x 2	Black	10	2	2	90°	1/4	10	232
381010	2 x 2	Grey	10	2	2	90°	1/4	10	232
381185	2 x 2-1/4	Galvanized	8	2	2-1/4	90°	3/8		219
381011	2 x 3	Galvanized	10	2	3	90°	1/4	10	287
381012	2 x 3	Brown	10	2	3	90°	1/4	10	287
381013	2 x 3	White	10	2	3	90°	1/4	10	287
381014	2 x 3	Black	10	2	3	90°	1/4	10	287
381015	2 x 3	Grey	10	2	3	90°	1/4	10	287
381172	3 x 1-3/8	Brown	10	3	1-3/8	90°	1/4		246
381174	3 x 1-3/8	Black	10	3	1-3/8	90°	1/4		246
381016	3 x 2	Galvanized	10	3	2	90°	1/4	10	287
381017	3 x 2	Brown	10	3	2	90°	1/4	10	287
381018	3 x 2	White	10	3	2	90°	1/4	10	287
381019	3 x 2	Black	10	3	2	90°	1/4	10	287
381020	3 x 2	Grey	10	3	2	90°	1/4	10	287
381021	3 x 3	Galvanized	10	3	3	90°	1/4	10	342
381022	3 x 3	Brown	10	3	3	90°	1/4	10	342
381023	3 x 3	White	10	3	3	90°	1/4	10	342
381024	3 x 3	Black	10	3	3	90°	1/4	10	342
381025	3 x 3	Grey	10	3	3	90°	1/4	10	342
381046	4 x 4	Galvanized	10	4	4	90°	1/4	10	537
381047	4 x 4	Brown	10	4	4	90°	1/4	10	537
381048	4 x 4	White	10	4	4	90°	1/4	10	537
381049	4 x 4	Black	10	4	4	90°	1/4	10	537
381050	4 x 4	Grey	10	4	4	90°	1/4	10	537



5/12 PITCH

ITEM #	SIZE (")	COLOR	LGTH/FT	A (")	B (")	C	PCS/BNDL	WT/100
381051	1-3/8	Galvanized	10	1-3/8	1-3/8	5/12	20	164
381052	1-3/8	Brown	10	1-3/8	1-3/8	5/12	20	164
381053	1-3/8	White	10	1-3/8	1-3/8	5/12	20	164
381054	1-3/8	Black	10	1-3/8	1-3/8	5/12	20	164
381055	1-3/8	Grey	10	1-3/8	1-3/8	5/12	20	164
381026	2 x 2	Galvanized	10	2	2	5/12	10	232
381027	2 x 2	Brown	10	2	2	5/12	10	232
381028	2 x 2	White	10	2	2	5/12	10	232
381029	2 x 2	Black	10	2	2	5/12	10	232
381030	2 x 2	Grey	10	2	2	5/12	10	232
381031	2 x 3	Galvanized	10	2	3	5/12	10	287
381032	2 x 3	Brown	10	2	3	5/12	10	287
381033	2 x 3	White	10	2	3	5/12	10	287
381034	2 x 3	Black	10	2	3	5/12	10	287
381035	2 x 3	Grey	10	2	3	5/12	10	287
381062	3 x 1-1/8	Brown	10	3	1-1/8	5/12	20	232
381063	3 x 1-1/8	White	10	3	1-1/8	5/12	20	232
381150	3 x 1-1/8 28GA	Stainless Steel	10	3	1-1/8	5/12		262



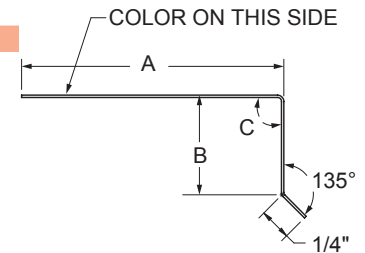
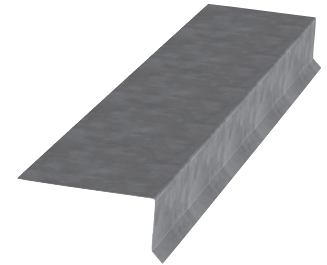
(cont'd on next page)

-E.&O.E. - Subject to Change Without Notice - May Not Be Available At All Locations -

EDGE FLASHINGS — "G" DRIP (cont'd)

5/12 PITCH (cont'd)

ITEM #	SIZE (")	COLOR	LGTH/FT	A (")	B (")	C	PCS/BNDL	WT/100
381162	3 × 1-3/8	Brown	10	3	1-3/8	5/12	20	253
381163	3 × 1-3/8	White	10	3	1-3/8	5/12	20	253
381164	3 × 1-3/8	Black	10	3	1-3/8	5/12	20	253
381165	3 × 1-3/8	Grey	10	3	1-3/8	5/12	20	253
381036	3 × 2	Galvanized	10	3	2	5/12	10	287
381037	3 × 2	Brown	10	3	2	5/12	10	287
381038	3 × 2	White	10	3	2	5/12	10	287
381039	3 × 2	Black	10	3	2	5/12	10	287
381040	3 × 2	Grey	10	3	2	5/12	10	287
381041	3 × 3	Galvanized	10	3	3	5/12	10	342
381042	3 × 3	Brown	10	3	3	5/12	10	342
381043	3 × 3	White	10	3	3	5/12	10	342
381044	3 × 3	Black	10	3	3	5/12	10	342
381045	3 × 3	Grey	10	3	3	5/12	10	342
381056	4 × 4	Galvanized	10	4	4	5/12	10	537
381057	4 × 4	Brown	10	4	4	5/12	10	537
381058	4 × 4	White	10	4	4	5/12	10	537
381059	4 × 4	Black	10	4	4	5/12	10	537
381060	4 × 4	Grey	10	4	4	5/12	10	537



26 GAUGE — 90°

ITEM #	SIZE (")	COLOR	LGTH/FT	A (")	B (")	C	PCS/BNDL	WT/100
381066	1-3/8	Galvanized	10	1-3/8	1-3/8	90°	20	227
381067	1-3/8	Brown	10	1-3/8	1-3/8	90°	20	227
381068	1-3/8	White	10	1-3/8	1-3/8	90°	20	227
381069	1-3/8	Black	10	1-3/8	1-3/8	90°	20	227
381070	1-3/8	Grey	10	1-3/8	1-3/8	90°	20	227
381071	2 × 2	Galvanized	10	2	2	90°	10	321
381072	2 × 2	Brown	10	2	2	90°	10	321
381073	2 × 2	White	10	2	2	90°	10	321
381074	2 × 2	Black	10	2	2	90°	10	321
381075	2 × 2	Grey	10	2	2	90°	10	321
381076	2 × 3	Galvanized	10	2	3	90°	10	396
381077	2 × 3	Brown	10	2	3	90°	10	396
381078	2 × 3	White	10	2	3	90°	10	396
381079	2 × 3	Black	10	2	3	90°	10	396
381080	2 × 3	Grey	10	2	3	90°	10	396
381081	3 × 2	Galvanized	10	3	2	90°	10	396
381082	3 × 2	Brown	10	3	2	90°	10	396
381083	3 × 2	White	10	3	2	90°	10	396
381084	3 × 2	Black	10	3	2	90°	10	396
381085	3 × 2	Grey	10	3	2	90°	10	396
381086	3 × 3	Galvanized	10	3	3	90°	10	472
381087	3 × 3	Brown	10	3	3	90°	10	472
381088	3 × 3	White	10	3	3	90°	10	472
381089	3 × 3	Black	10	3	3	90°	10	472
381090	3 × 3	Grey	10	3	3	90°	10	472
381091	4 × 4	Galvanized	10	4	4	90°	10	623
381092	4 × 4	Brown	10	4	4	90°	10	623
381093	4 × 4	White	10	4	4	90°	10	623
381094	4 × 4	Black	10	4	4	90°	10	623
381095	4 × 4	Grey	10	4	4	90°	10	623

5/12 PITCH

ITEM #	SIZE (")	COLOR	LGTH/FT	A (")	B (")	C	PCS/BNDL	WT/100
381096	1-3/8	Galvanized	10	1-3/8	1-3/8	5/12	10	227
381097	1-3/8	Brown	10	1-3/8	1-3/8	5/12	10	227

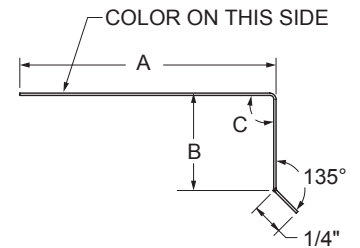
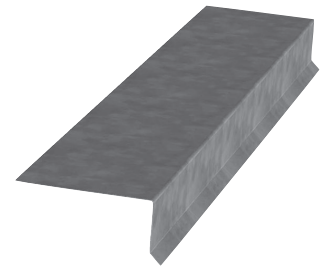
(cont'd on next page)

-E.&O.E. - Subject to Change Without Notice - May Not Be Available At All Locations -

EDGE FLASHINGS — "G" DRIP (cont'd)

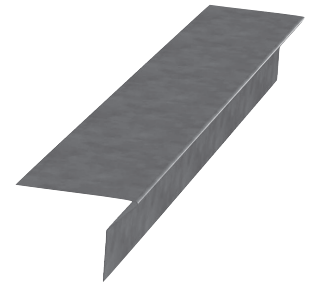
26 GAUGE — 5/12 PITCH (cont'd)

ITEM #	SIZE (")	COLOR	LGTH/FT	A (")	B (")	C	PCS/BNDL	WT/100
381098	1-3/8	White	10	1-3/8	1-3/8	5/12	10	227
381099	1-3/8	Black	10	1-3/8	1-3/8	5/12	10	227
381100	1-3/8	Grey	10	1-3/8	1-3/8	5/12	10	227
381106	2 x 2	Galvanized	10	2	2	5/12	10	321
381107	2 x 2	Brown	10	2	2	5/12	10	321
381108	2 x 2	White	10	2	2	5/12	10	321
381109	2 x 2	Black	10	2	2	5/12	10	321
381110	2 x 2	Grey	10	2	2	5/12	10	321
381111	2 x 3	Galvanized	10	2	3	5/12	10	396
381112	2 x 3	Brown	10	2	3	5/12	10	396
381113	2 x 3	White	10	2	3	5/12	10	396
381114	2 x 3	Black	10	2	3	5/12	10	396
381115	2 x 3	Grey	10	2	3	5/12	10	396
381116	3 x 2	Galvanized	10	3	2	5/12	10	396
381117	3 x 2	Brown	10	3	2	5/12	10	396
381118	3 x 2	White	10	3	2	5/12	10	396
381119	3 x 2	Black	10	3	2	5/12	10	396
381120	3 x 2	Grey	10	3	2	5/12	10	396
381126	3 x 3	Galvanized	10	3	3	5/12	10	472
381127	3 x 3	Brown	10	3	3	5/12	10	472
381128	3 x 3	White	10	3	3	5/12	10	472
381129	3 x 3	Black	10	3	3	5/12	10	472
381130	3 x 3	Grey	10	3	3	5/12	10	472
381131	4 x 4	Galvanized	10	4	4	5/12	10	623
381132	4 x 4	Brown	10	4	4	5/12	10	623
381133	4 x 4	White	10	4	4	5/12	10	623
381134	4 x 4	Black	10	4	4	5/12	10	623
381135	4 x 4	Grey	10	4	4	5/12	10	623



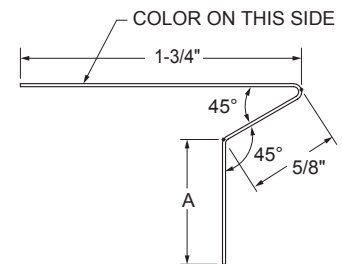
EDGE FLASHINGS — T METAL

ITEM #	SIZE (")	COLOR	LGTH/FT	A (")	PCS/BNDL	WT/100
380670	3/4	Galvanized	10	3/4	10	164
380672	3/4	Brown	10	3/4	10	164
380673	3/4	White	10	3/4	10	164
380674	3/4	Black	10	3/4	10	164
380675	3/4	Grey	10	3/4	10	164



26 GAUGE

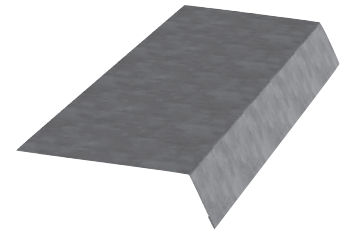
ITEM #	SIZE (")	COLOR	LGTH/FT	A (")	PCS/BNDL	WT/100
380681	3/4	Galvanized	10	3/4	10	227
380682	3/4	Brown	10	3/4	10	227
380683	3/4	White	10	3/4	10	227
380684	3/4	Black	10	3/4	10	227
380685	3/4	Grey	10	3/4	10	227
380686	1-1/4	Galvanized	10	1-1/4	10	264
380687	1-1/4	Brown	10	1-1/4	10	264
380688	1-1/4	White	10	1-1/4	10	264
380689	1-1/4	Black	10	1-1/4	10	264
380690	1-1/4	Grey	10	1-1/4	10	264
380691	1-5/8	Galvanized	10	1-5/8	10	302
380692	1-5/8	Brown	10	1-5/8	10	302
380693	1-5/8	White	10	1-5/8	10	302
380694	1-5/8	Black	10	1-5/8	10	302
380695	1-5/8	Grey	10	1-5/8	10	302



- E.&O.E. - Subject to Change Without Notice - May Not Be Available At All Locations -

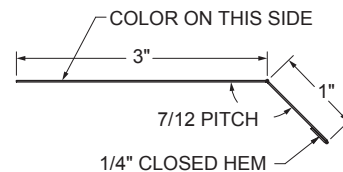
EDGE FLASHINGS — ROOF STARTER

ITEM #	SIZE (")	COLOR	LGTH/FT	PCS/BNDL	WT/100
380651	3 × 1	Galvanized	10	10	232
380652	3 × 1	Brown	10	10	232
380653	3 × 1	White	10	10	232
380654	3 × 1	Black	10	10	232
380655	3 × 1	Grey	10	10	232



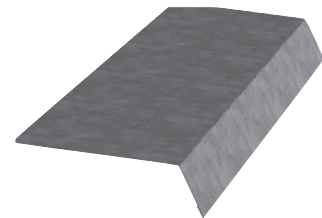
26 GAUGE

ITEM #	SIZE (")	COLOR	LGTH/FT	PCS/BNDL	WT/100
380661	3 × 1	Galvanized	10	10	321
380662	3 × 1	Brown	10	10	321
380663	3 × 1	White	10	10	321
380664	3 × 1	Black	10	10	321
380666	3 × 1	Grey	10	10	321



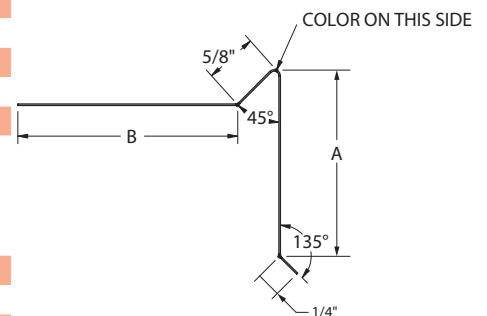
GRAVEL STOP FLASHINGS

ITEM #	SIZE (")	COLOR	LGTH/FT	A (")	B (")	PCS/BNDL	WT/100
380901	2-1/4	Galvanized	10	2	2-3/8	10	287
380902	2-1/4	Brown	10	2	2-3/8	10	287
380903	2-1/4	White	10	2	2-3/8	10	287
388004	2-1/4	Black	10	2	2-3/8	10	287
388005	2-1/4	Grey	10	2	2-3/8	10	287



28 GAUGE

ITEM #	SIZE (")	COLOR	LGTH/FT	A (")	B (")	PCS/BNDL	WT/100
388051	3	Galvanized	10	3	2-1/8	10	391
388052	3	Brown	10	3	2-1/8	10	391
388053	3	White	10	3	2-1/8	10	391
388054	3	Black	10	3	2-1/8	10	391
388055	3	Grey	10	3	2-1/8	10	391
388056	4	Galvanized	10	4	2-1/8	10	456
388057	4	Brown	10	4	2-1/8	10	456
388058	4	White	10	4	2-1/8	10	456
388059	4	Black	10	4	2-1/8	10	456
388060	4	Grey	10	4	2-1/8	10	456



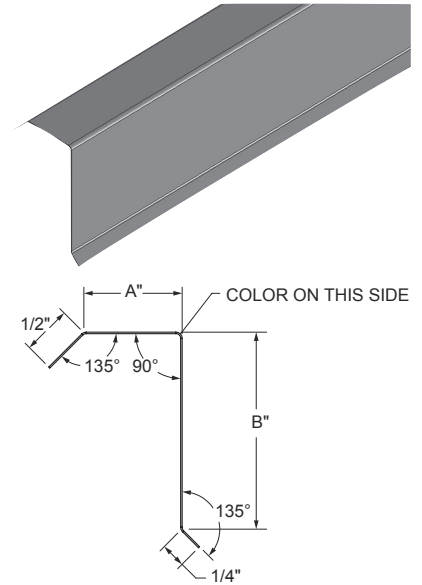
26 GAUGE

ITEM #	SIZE (")	COLOR	LGTH/FT	A (")	B (")	PCS/BNDL	WT/100
388101	2-1/4	Galvanized	10	2	2-3/8	10	396
388102	2-1/4	Brown	10	2	2-3/8	10	396
388103	2-1/4	White	10	2	2-3/8	10	396
388104	2-1/4	Black	10	2	2-3/8	10	396
388105	2-1/4	Grey	10	2	2-3/8	10	396
388151	3	Galvanized	10	3	2-1/8	10	453
388152	3	Brown	10	3	2-1/8	10	453
388153	3	White	10	3	2-1/8	10	453
388154	3	Black	10	3	2-1/8	10	453
388155	3	Grey	10	3	2-1/8	10	453
388156	4	Galvanized	10	4	2-1/8	5	529
388157	4	Brown	10	4	2-1/8	5	529
388158	4	White	10	4	2-1/8	5	529
388159	4	Black	10	4	2-1/8	5	529
388160	4	Grey	10	4	2-1/8	5	529

- E.&O.E. - Subject to Change Without Notice - May Not Be Available At All Locations -

FASCIA CAP FLASHINGS

ITEM #	SIZE (")	COLOR	LGTH/FT	A (")	B (")	PCS/BNDL	WT/100
389501	1	Galvanized	10	1	2	10	205
389502	1	Brown	10	1	2-1/4	10	219
389503	1	White	10	1	2	10	205
389504	1	Black	10	1	2-1/4	10	219
389505	1	Grey	10	1	2	10	219
389511	1-1/2	Galvanized	10	1-1/2	2	10	232
389512	1-1/2	Brown	10	1-1/2	2	10	232
389513	1-1/2	White	10	1-1/2	2	10	232
389514	1-1/2	Black	10	1-1/2	2	10	232
389515	1-1/2	Grey	10	1-1/2	2	10	232
389521	2	Galvanized	10	2	2	10	260
389522	2	Brown	10	2	2-1/4	10	273
389523	2	White	10	2	2	10	260
389524	2	Black	10	2	2-1/4	10	273
389525	2	Grey	10	2	2-1/4	10	273
389531	3	Galvanized	10	3	2-1/4	10	328
389532	3	Brown	10	3	2-1/4	10	328
389533	3	White	10	3	2-1/4	10	328
389534	3	Black	10	3	2-1/4	10	328
389535	3	Grey	10	3	2-1/4	10	328



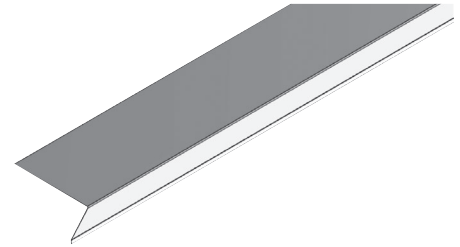
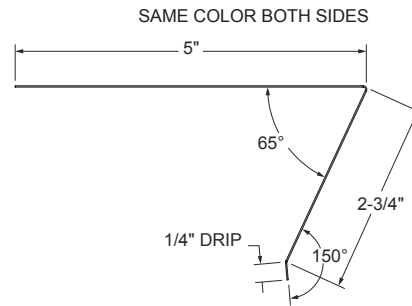
26 GAUGE

ITEM #	SIZE (")	COLOR	LGTH/FT	A (")	B (")	PCS/BNDL	WT/100
389551	1	Galvanized	10	1	2-1/4	10	302
389552	1	Brown	10	1	2-1/4	10	302
389553	1	White	10	1	2-1/4	10	302
389554	1	Black	10	1	2-1/4	10	302
389555	1	Grey	10	1	2-1/4	10	302
389561	1-1/2	Galvanized	10	1-1/2	2	10	321
389562	1-1/2	Brown	10	1-1/2	2	10	321
389563	1-1/2	White	10	1-1/2	2	10	321
389564	1-1/2	Black	10	1-1/2	2	10	321
389565	1-1/2	Grey	10	1-1/2	2	10	321
389571	2	Galvanized	10	2	2-1/4	10	378
389572	2	Brown	10	2	2-1/4	10	378
389573	2	White	10	2	2-1/4	10	378
389574	2	Black	10	2	2-1/4	10	378
389575	2	Grey	10	2	2-1/4	10	378
389581	3	Galvanized	10	3	2-1/4	10	453
389582	3	Brown	10	3	2-1/4	10	453
389583	3	White	10	3	2-1/4	10	453
389584	3	Black	10	3	2-1/4	10	453
389585	3	Grey	10	3	2-1/4	10	453

- E.&O.E. - Subject to Change Without Notice - May Not Be Available At All Locations -

CLERESTORY FLASHINGS

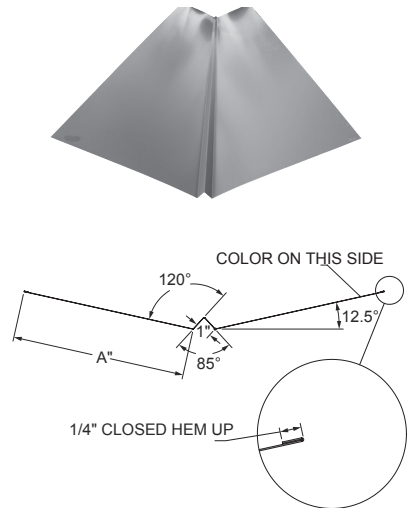
ITEM #	SIZE (")	COLOR	LGTH/FT	PCS/BNDL	WT/100
380582	5 × 3 × 1/4	Brown	10	10	520
380584	5 × 3 × 1/4	Black	10	10	520



W-VALLEY FLASHINGS

28 GAUGE

ITEM #	SIZE (")	COLOR	GA	LGTH/FT	A (")	PCS/BNDL	WT/100
380461	18	Galvanized	28	10	8	5	1172
380462	18	Brown	28	10	8	5	1172
380463	18	White	28	10	8	5	1172
380464	18	Black	28	10	8	5	1172
380465	18	Grey	28	10	8	5	1172
380446	24	Galvanized	28	10	11	5	1562
380447	24	Brown	28	10	11	5	1562
380448	24	White	28	10	11	5	1562
380449	24	Black	28	10	11	5	1562
380450	24	Grey	28	10	11	5	1562

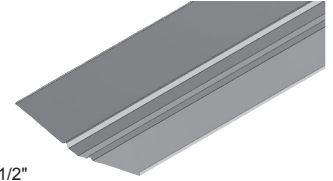
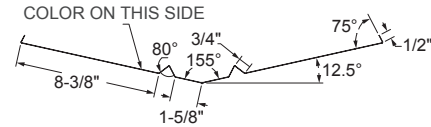


26 GAUGE

ITEM #	SIZE (")	COLOR	GA	LGTH/FT	A (")	PCS/BNDL	WT/100
380471	18	Galvanized	26	10	8	5	1359
380472	18	Brown	26	10	8	5	1359
380473	18	White	26	10	8	5	1359
380474	18	Black	26	10	8	5	1359
380475	18	Grey	26	10	8	5	1359
380451	24	Galvanized	26	10	11	5	1812
380452	24	Brown	26	10	11	5	1812
380453	24	White	26	10	11	5	1812
380454	24	Black	26	10	11	5	1812
380455	24	Grey	26	10	11	5	1812

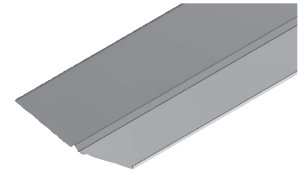
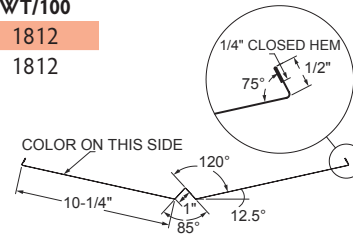
OPEN TILE FLASHINGS

ITEM #	SIZE (")	COLOR	GA	LGTH/FT	PCS/BNDL	WT/100
380502	24	Brown	26	10	5	1812
380504	24	Black	26	10	5	1812



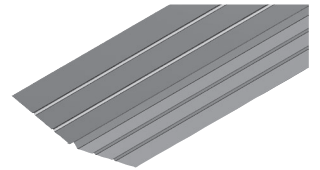
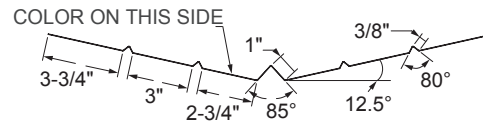
CLOSED TILE FLASHINGS

ITEM #	SIZE (")	COLOR	GA	LGTH/FT	PCS/BNDL	WT/100
380512	24	Brown	26	10	5	1812
380514	24	Black	26	10	5	1812



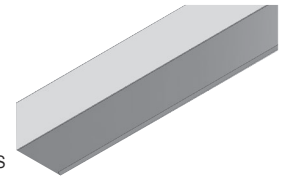
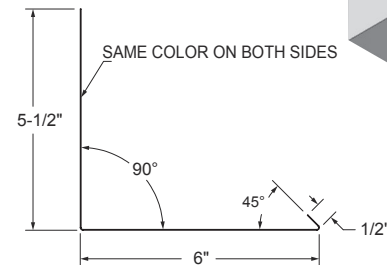
T-VALLEY FLASHINGS — 5 RIB

ITEM #	SIZE (")	COLOR	GA	LGTH/FT	PCS/BNDL	WT/100
380552	24	Brown	26	10	5	1812
380554	24	Black	26	10	5	1812



J TILE FLASHINGS

ITEM #	SIZE (")	COLOR	GA	LGTH/FT	PCS/BNDL	WT/100
380562	5 × 6 × 1/2	Brown	28	10	5	781
380564	5 × 6 × 1/2	Black	28	10	5	781

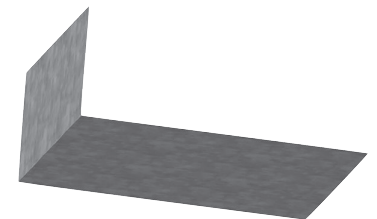
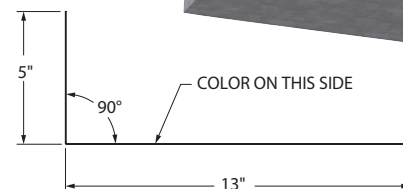


FIREPLACE FLASHINGS

ITEM #	SIZE (")	COLOR	GA	LGTH/FT	PCS/BNDL	WT/100
381776	5 × 13	Brown	28	10	5	1172
381779	5 × 13	Black	28	10	5	1172

26 GAUGE

ITEM #	SIZE (")	COLOR	GA	LGTH/FT	PCS/BNDL	WT/100
381781	5 × 13	Brown	26	10	5	1359
381784	5 × 13	Black	26	10	5	1359
381785	5 × 13	Grey	26	10	5	1359

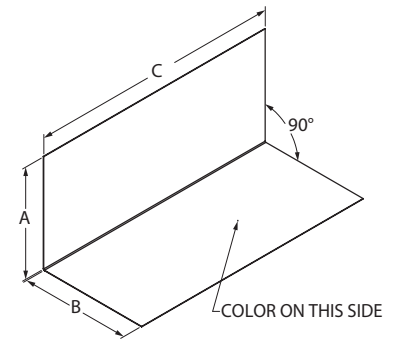


-E.&O.E. - Subject to Change Without Notice - May Not Be Available At All Locations -

STEP FLASHINGS

STANDARD GAUGE

ITEM #	SIZE (")	COLOR	A (")	B (")	C (")	PCS/BNDL	WT/100
384501	3 x 5 - 8	Galvanized	3	5	8	50	29
384502	3 x 5 - 8	Brown	3	5	8	50	29
384503	3 x 5 - 8	White	3	5	8	50	29
384504	3 x 5 - 8	Black	3	5	8	50	29
384505	3 x 5 - 8	Grey	3	5	8	50	29
384521	4 x 4 - 8	Galvanized	4	4	8	50	29
384522	4 x 4 - 8	Brown	4	4	8	50	29
384523	4 x 4 - 8	White	4	4	8	50	29
384524	4 x 4 - 8	Black	4	4	8	50	29
384531	4 x 4 - 12	Galvanized	4	4	12	50	44
384532	4 x 4 - 12	Brown	4	4	12	50	44
384533	4 x 4 - 12	White	4	4	12	50	44
384534	4 x 4 - 12	Black	4	4	12	50	44
384535	4 x 4 - 12	Grey	4	4	12	50	44
384680	4 x 4 - 12	Stainless Steel	4	4	12	50	44
384542	4 x 4 - 14	Brown	4	4	14	50	54
384544	4 x 4 - 14	Black	4	4	14	50	54
384552	4 x 4 - 17	Brown	4	4	17	50	66
384554	4 x 4 - 17	Black	4	4	17	50	66
384558	5 x 5 - 7	Black	5	5	7	50	32
384562	5 x 5 - 8	Brown	5	5	8	50	39
384564	5 x 5 - 8	Black	5	5	8	50	39



28 GAUGE

ITEM #	SIZE (")	COLOR	A (")	B (")	C (")	PCS/BNDL	WT/100
384682	4 x 4 - 14	Stainless Steel	4	4	14	50	54

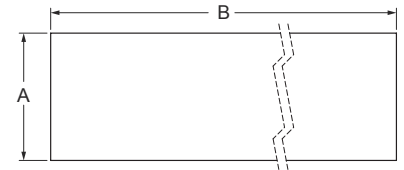
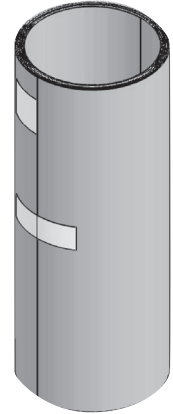
26 GAUGE

ITEM #	SIZE (")	COLOR	A (")	B (")	C (")	PCS/BNDL	WT/100
384622	4 x 4 - 8	Brown	4	4	8	50	40
384624	4 x 4 - 8	Black	4	4	8	50	40
384625	4 x 4 - 8	Grey	4	4	8	50	40
384632	4 x 4 - 12	Brown	4	4	12	50	60
384634	4 x 4 - 12	Black	4	4	12	50	60
384642	4 x 4 - 14	Brown	4	4	14	50	70
384644	4 x 4 - 14	Black	4	4	14	50	70
384652	4 x 4 - 17	Brown	4	4	17	50	86
384654	4 x 4 - 17	Black	4	4	17	50	86
384662	5 x 5 - 8	Brown	5	5	8	50	50
384664	5 x 5 - 8	Black	5	5	8	50	50

-E.&O.E. - Subject to Change Without Notice - May Not Be Available At All Locations -

ROLL VALLEY FLASHINGS

ITEM #	SIZE	COLOR	LGTH/FT	A (")	SKID/QTY	WT/100
380051	7" x 10'	Galvanized	10	7	50	383
380061	7" x 10'	Brown/Black	10	7	50	383
380071	7" x 10'	Aluminum	10	7	50	114
380081	7" x 25'	Galvanized	25	7	50	957
380091	7" x 25'	Brown/Black	25	7	50	957
380101	7" x 25'	Aluminum	25	7	50	284
380111	7" x 50'	Galvanized	50	7	50	1913
380121	7" x 50'	Brown/Black	50	7	50	1913
380131	7" x 50'	Aluminum	50	7	50	569
380053	10" x 10'	Galvanized	10	10	50	547
380063	10" x 10'	Brown/Black	10	10	50	547
380073	10" x 10'	Aluminum	10	10	50	163
380083	10" x 25'	Galvanized	25	10	50	1367
380093	10" x 25'	Brown/Black	25	10	50	1367
380103	10" x 25'	Aluminum	25	10	50	406
380113	10" x 50'	Galvanized	50	10	50	2733
380123	10" x 50'	Brown/Black	50	10	50	2733
380133	10" x 50'	Aluminum	50	10	50	813
380055	14" x 10'	Galvanized	10	14	50	765
380065	14" x 10'	Brown/Black	10	14	50	765
380075	14" x 10'	Aluminum	10	14	50	228
380085	14" x 25'	Galvanized	25	14	50	1913
380095	14" x 25'	Brown/Black	25	14	50	1913
380105	14" x 25'	Aluminum	25	14	50	569
380115	14" x 50'	Galvanized	50	14	50	3827
380125	14" x 50'	Brown/Black	50	14	50	3827
380135	14" x 50'	Aluminum	50	14	50	1138
380116	16" x 50'	Galvanized	50	16	50	4374
380057	20" x 10'	Galvanized	10	20	50	1093
380067	20" x 10'	Brown/Black	10	20	50	1093
380077	20" x 10'	Aluminum	10	20	50	325
380087	20" x 25'	Galvanized	25	20	50	2733
380097	20" x 25'	Brown/Black	25	20	50	2733
380107	20" x 25'	Aluminum	25	20	50	813
380117	20" x 50'	Galvanized	50	20	50	5467
380127	20" x 50'	Brown/Black	50	20	50	5467
380137	20" x 50'	Aluminum	50	20	50	1625



26 GAUGE

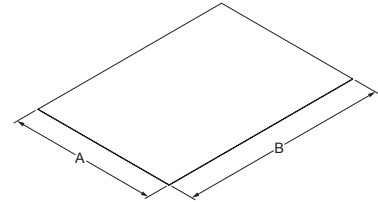
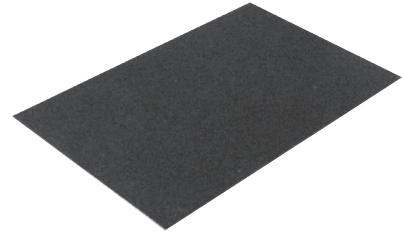
ITEM #	SIZE	COLOR	LGTH/FT	A (")	SKID/QTY	WT/100
380145	14" x 50'	Brown/Black	50	14	50	5285
380147	20" x 50'	Brown/Black	50	20	50	7550

- E.&O.E. - Subject to Change Without Notice - May Not Be Available At All Locations -

FLAT SHINGLES

STANDARD GAUGE

ITEM #	SIZE (")	COLOR	A (")	B (")	PCS/BNDL	WT/100
382621	5 x 7	Galvanized	5	7	100	16
382622	5 x 7	Brown/Black	5	7	100	16
382623	5 x 7	Grey	5	7	100	16
382625	5 x 8	Galvanized	5	8	100	19
382626	5 x 8	Brown/Black	5	8	100	19
382627	5 x 8	Grey	5	8	100	18
382631	5 x 10	Galvanized	5	10	50	23
382632	5 x 10	Brown/Black	5	10	50	23
382633	5 x 10	Grey	5	10	50	23
382635	8 x 8	Galvanized	8	8	50	29
382636	8 x 8	Brown/Black	8	8	50	29
382637	8 x 8	Grey	8	8	50	29
382641	8 x 10	Galvanized	8	10	50	36
382642	8 x 10	Brown/Black	8	10	50	36
382643	8 x 10	Grey	8	10	50	36
382645	8 x 12	Galvanized	8	12	50	44
382646	8 x 12	Brown/Black	8	12	50	47
382647	8 x 12	Grey	8	12	50	44
382651	8 x 14	Galvanized	8	14	50	51
382652	8 x 14	Brown/Black	8	14	50	54
382653	8 x 14	Grey	8	14	50	44



FLAT SHINGLE — PAINTED

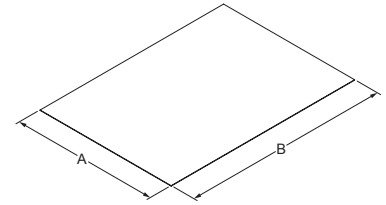
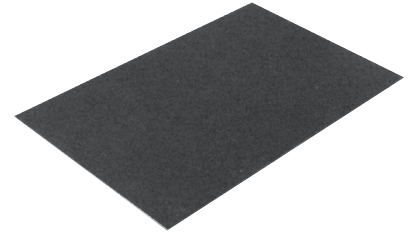
ITEM #	SIZE (")	A (")	B (")	PCS/BNDL	WT/100
382600	5 x 8	5	8		18

- E.&O.E. - Subject to Change Without Notice - May Not Be Available At All Locations -

FLAT SHINGLES (cont'd)

26 GAUGE

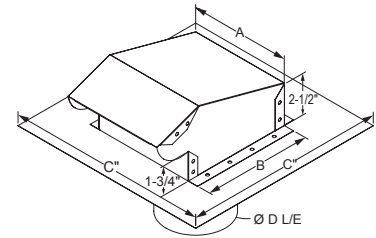
ITEM #	SIZE (")	COLOR	A (")	B (")	PCS/BNDL	WT/100
382661	5 × 7	Galvanized	5	7	100	22
382662	5 × 7	Brown/Black	5	7	100	22
382663	5 × 7	Grey	5	7	100	22
382665	5 × 8	Galvanized	5	8	100	25
382666	5 × 8	Brown/Black	5	8	100	25
382727	5 × 8	Grey	5	8	100	25
382671	5 × 10	Galvanized	5	10	50	31
382672	5 × 10	Brown/Black	5	10	50	31
382673	5 × 10	Grey	5	10	50	31
382675	8 × 8	Galvanized	8	8	50	40
382676	8 × 8	Brown/Black	8	8	50	40
382677	8 × 8	Brown/Black	8	8	100	40
382737	8 × 8	Grey	8	8	100	40
382681	8 × 10	Galvanized	8	10	50	50
382682	8 × 10	Brown/Black	8	10	50	50
382683	8 × 10	Grey	8	10	50	50
382685	8 × 12	Galvanized	8	12	50	60
382686	8 × 12	Brown/Black	8	12	50	60
382747	8 × 12	Grey	8	12	50	60
382691	8 × 14	Galvanized	8	14	50	70
382692	8 × 14	Brown/Black	8	14	50	70
382693	8 × 14	Grey	8	14	50	70



- E.&O.E. - Subject to Change Without Notice - May Not Be Available At All Locations -

METAL STEM VENTS

ITEM #	SIZE (")	COLOR	A (")	B (")	C (")	CTN/QTY	WT/100
130070	4	Black	6	6-1/2	12-1/4	1	170
130071	4	Brown	6	6-1/2	12-1/4	1	170
130072	4	Grey	6	6-1/2	12-1/4	1	170
130073	4	Wood Grey	6	6-1/2	12-1/4	1	170
130075	6	Black	8	8-1/2	14-1/4	1	280
130076	6	Brown	8	8-1/2	14-1/4	1	280
130077	6	Grey	8	8-1/2	14-1/4	1	280
130078	6	Wood Grey	8	8-1/2	14-1/4	1	280
130080	8	Black	10	10-1/2	16-1/4	1	390
130081	8	Brown	10	10-1/2	16-1/4	1	390
130082	8	Grey	10	10-1/2	16-1/4	1	390
130083	8	Wood Grey	10	10-1/2	16-1/4	1	390



NOTE: Pipe extends 5" below the base.

PLASTIC ROOF VENTS

SV-50

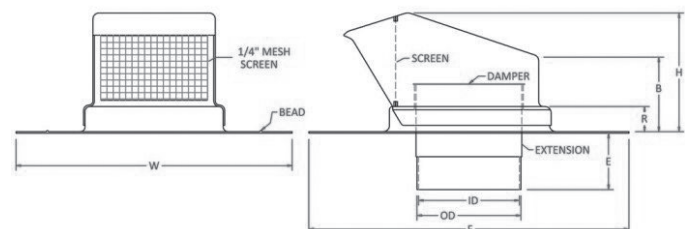
ITEM #	DESCRIPTION	COLOR	CTN/QTY
681430	SV-50 Roof Vent	Black	12
681431	SV-50 Roof Vent	Lt. Grey	12
681432	SV-50 Roof Vent	Dk. Brown	12
681434	SV-50 Roof Vent	Wood Grey	12



NOTE: Not available in all areas

PLASTIC ROOF CAP STEM VENTS — BVDS

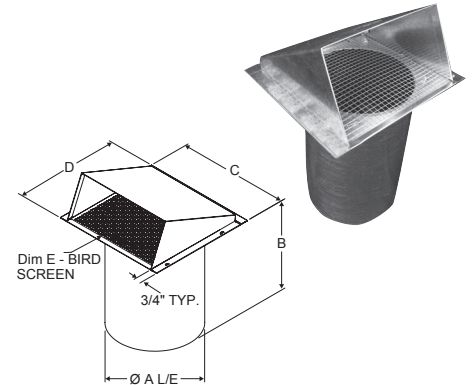
ITEM #	DESCRIPTION	COLOR	A (")	B (")	C (")	D (")	CTN/QTY	WT/100
681515	BVDS4BK Roof Vent	Black	4	11	12-1/2	5	4	200
681411	BVDS4BR Roof Vent	Lt. Brown	4	11	12-1/2	5	4	150
681516	BVDS4DBR Roof Vent	Dark Brown	4	11	12-1/2	5	4	200
681517	BVDS4GR Roof Vent	Grey	4	11	12-1/2	5	4	200
681518	BVDS4W/G Roof Vent	Wood Grey	4	11	12-1/2	5	4	200
681519	BVDS5BK Roof Vent	Black	5	13	14-3/4	4-3/4	4	200
681417	BVDS5BR Roof Vent	Lt. Brown	5	13	14-3/4	4-3/4	4	165
681520	BVDS5DBR Roof Vent	Dark Brown	5	13	14-3/4	4-3/4	4	200
681521	BVDS5GR Roof Vent	Grey	5	13	14-3/4	4-3/4	4	200
681522	BVDS5W/G Roof Vent	Wood Grey	5	13	14-3/4	4-3/4	4	200
681523	BVDS6BK Roof Vent	Black	6	13	14-3/4	4-1/2	4	200
681524	BVDS6DBR Roof Vent	Dark Brown	6	13	14-3/4	4-1/2	4	200
681525	BVDS6GR Roof Vent	Grey	6	13	14-3/4	4-1/2	4	200
681526	BVDS6W/G Roof Vent	Wood Grey	6	13	14-3/4	4-1/2	4	200



- E.&O.E. - Subject to Change Without Notice - May Not Be Available At All Locations -

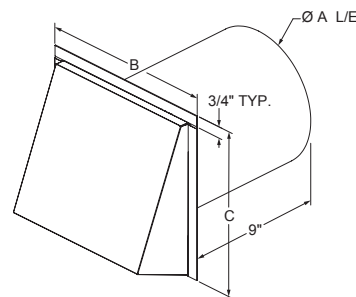
SIDE WALL VENTS — 1/4" BIRDSCREEN

ITEM #	SIZE (")	A (")	B (")	C (")	D (")	E (")	CTN/QTY	WT/100
050775	3	3	9	6-3/4	6-5/16	1/4	20	85
050800	4	4	9	6-3/4	6-5/16	1/4	20	105
050900	5	5	9	8-5/8	7-11/16	1/4	20	140
051000	6	6	9	8-5/8	7-11/16	1/4	20	160
051050	7	7	9	9-7/8	9-1/8	1/4	10	200
051080	8	8	9	10-7/8	10-1/4	1/4	10	260
051090	10	10	9	13	12-1/4	1/4	5	480
051091	12	12	9-1/2	15	14-1/4	1/4	2	360



DRYER VENT HOODS

ITEM #	SIZE (")	A (")	B (")	C (")	CTN/QTY	WT/100
310200	4	4	6-3/4	6-5/16	20	59
310300	5	5	8-5/8	7-11/16	20	60



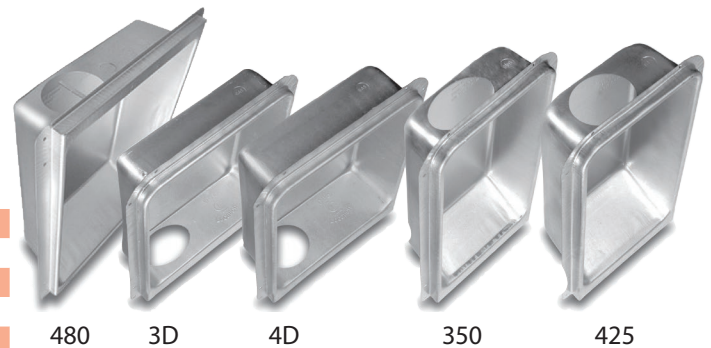
THE DRYERBOX®

Dryer Vent Hose Receptacle

- Doubles as a gas connection receptacle
- Meets code requirements as a clean-out

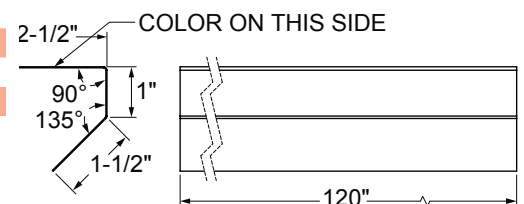
See www.dryerbox.com for more information.

ITEM #	MODEL	SIZE	EXHAUST DIRECTION	CTN/QTY	WT/100
683010	425	2 x 6	Upward	5	460
683012	350	2 x 4	Upward	6	460
683014	4D	2 x 6	Downward	5	460
683016	3D	2 x 4	Downward	6	460
683018	480	2 x 6	Upward/ Downward	6	460



RECOVER FLASHINGS — 26GA

ITEM #	DESCRIPTION	COLOR	GA	LGTH/FT	CTN/QTY	WT/100
387892	Recover Flashing	Brown	26	10	378	378
387893	Recover Flashing	White	26	10	378	378
387894	Recover Flashing	Black	26	10	378	378
387895	Recover Flashing	Grey	26	10	378	378



— E.&O.E. — Subject to Change Without Notice — May Not Be Available At All Locations —

TPE COLLAR — NO CAULK COLLAR

ITEM #	SIZE (")	WT/100
681713	1-1/2	25
681714	2	25
681715	3	25
681716	4	25

4-IN-1 TPE COLLAR

ITEM #	SIZE (")	WT/100
681717	1" - 4"	14

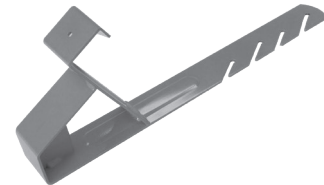
E-FLASH

ITEM #	MODEL	COLOR	CTN/QTY	WT/100
680040	EFL-BK	Black	25	300



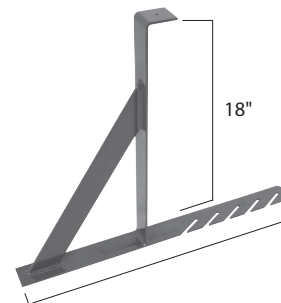
ROOF BRACKETS

ITEM #	SIZE (")	COLOR	A (")	B (")	CTN/QTY	WT/100
680046	2 x 6 - 60 deg	Red	2	6	18" 12	200
680048	2 x 6 - 60 deg	Grey	2	6	12	200
680050	2 x 6 - 60 deg	Yellow	2	6	12	200
680045	2 x 6 - 90 deg	Red	2	6	12	200
680047	2 x 6 - 90 deg	Grey	2	6	12	200
680049	2 x 6 - 90 deg	Yellow	2	6	12	200
680051	2 x 6 - 90 deg	Black	2	6	12	200



ROOF BRACKET — PLYWOOD

ITEM #	DESCRIPTION	COLOR	WT/100
680054	RB90DEGREE Plywood Bracket	Blue	500

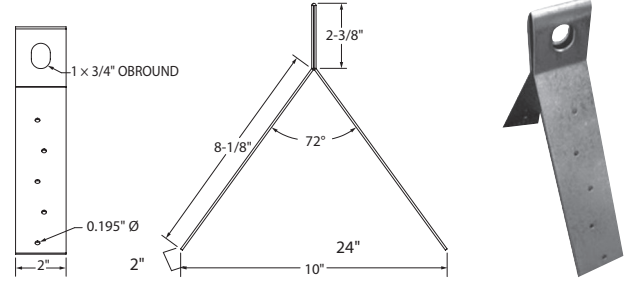


- E.&O.E. - Subject to Change Without Notice - May Not Be Available At All Locations -

TEMPORARY ROOF ANCHOR BRACKETS

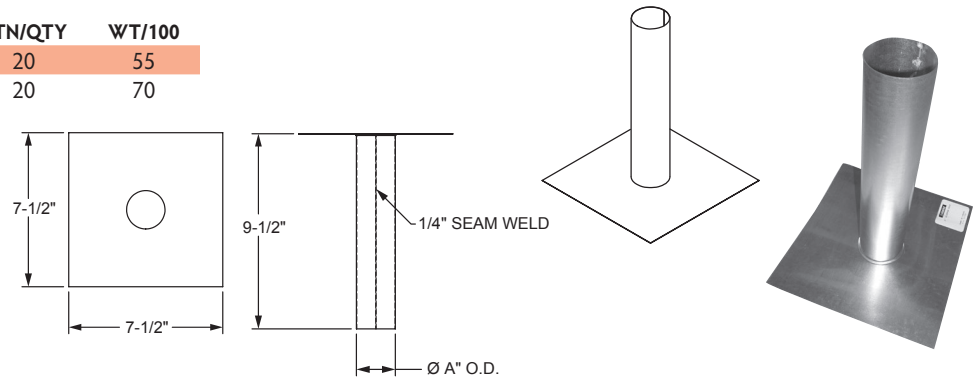
ITEM #	DESCRIPTION	CTN/QTY	WT/100
150690	Temporary Roof Anchor Bracket	*	84

*Product shipped individually.



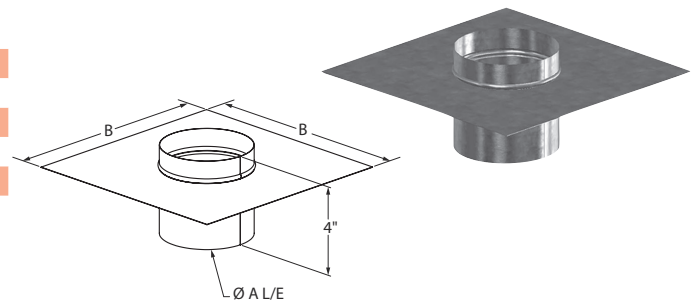
SCUPPER DROPS

ITEM #	SIZE (")	A (")	CTN/QTY	WT/100
130692	2	2	20	55
130693	3	3	20	70



ROOF CAP VENT ADAPTERS

ITEM #	SIZE (")	A (")	B (")	CTN/QTY	WT/100
130094	4	4	10	25	64
130095	5	5	11	25	77
130096	6	6	12	20	89
130097	7	7	13	10	102
130098	8	8	14	10	104



ZINC STRIP

- 99.2% pure zinc
- Installed at the roof's peak releases a zinc coating each time it rains
- Prevents moss, algae, mildew and fungus from growing on rooftops

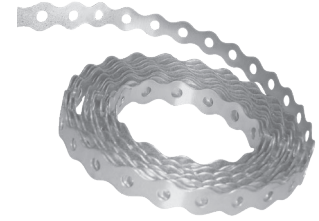
ITEM #	DESCRIPTION	CTN/QTY	WT/100
681648	50' Zinc Strip	6	950



- E.&O.E. - Subject to Change Without Notice - May Not Be Available At All Locations -

MULT-E STRAP

- Hundreds of uses
- Easy to bend
- Wavy edge allows easier cutting to desired lengths; also allows ease of overlapping and twisting in any configuration.



ITEM #	MODEL	DESCRIPTION	GAUGE	CTN/QTY	WT/100
682910	MS3425G	3/4" x 25 ft. – Galvanized	24	10	145
682911	MS3450G	3/4" x 50 ft. – Galvanized	24	10	290
682912	MS34100G	3/4" x 100 ft. – Galvanized	24	5	581
682914	MS1225G	1/2" x 25 ft. – Galvanized	24	10	103
682922	MS3425S	3/4" x 25 ft. – Steel	24	10	180
682926	MS3425P	3/4" x 25 ft. – PVC Coated Steel	24	10	150
682920	MS1225S	1/2" x 25 ft. – Steel	22	10	126

BRISTLE BRUSHES

- Disposable
- Pure bristles
- Natural wooden handle



ITEM #	DESCRIPTION	CTN/QTY	WT/100
705168	1" Bristle – Disposable Brush	12	3
705169	1-1/2" Bristle – Disposable Brush	12	4
705170	2" Bristle – Disposable Brush	12	6
705171	3" Bristle – Disposable Brush	12	7

LATH

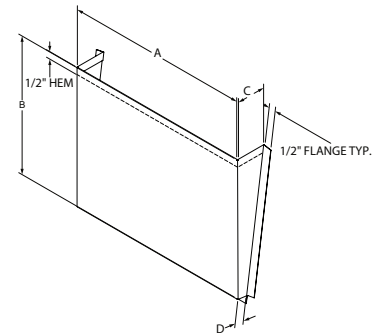
ITEM #	DESCRIPTION	SIZE (")	A (")	B (")	CTN/QTY	WT/100
706232	ML-1.7 Flat Lath	27 x 96	27	96	*	175
706230	ML-2.5 Flat Lath	27 x 96	27	96	*	250
706231	MLF-2.5 Dimpled Lath	27 x 96	27	96	*	250
706234	ML-3.4 Flat Lath	27 x 96	27	96	*	680



*Product shipped individually.

LITERATURE POCKET

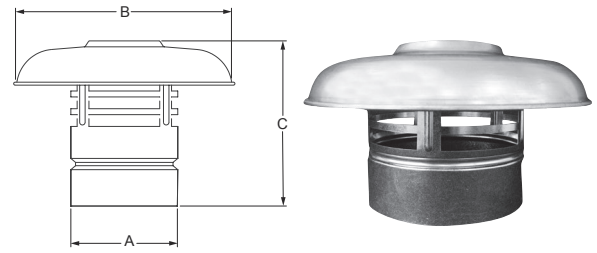
ITEM #	DESCRIPTION	A (")	B (")	CTN/QTY	WT/100
599604	8-1/2" x 8" Literature Pocket	8-1/2	8		39



– E.&O.E. – Subject to Change Without Notice – May Not Be Available At All Locations –

CHINA CAPS — GALVANIZED

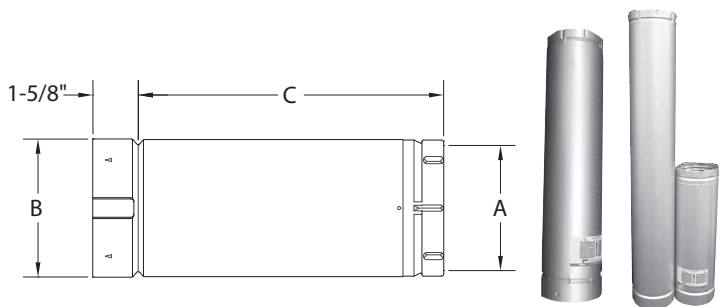
ITEM #	SIZE (")	A (")	B (")	C (")	CTN/QTY	WT/100
134300	3	3	7-3/4	5-3/4	20	75
134400	4	4	7-3/4	6	20	85
134500	5	5	9	6	20	120
134600	6	6	10-1/4	6	20	145
134700	7	7	12-1/4	6	10	186
134800	8	8	12-1/4	6	10	190
134810	10	10	15-1/2	6	5	280
134812	12	12	17-3/4	6-1/2	5	300
134814	14	14	19-3/4	7	5	320



VENT PIPE — VP

ITEM #	MODEL #	A (")	B (")	C (")	CTN/QTY	WT/100
200301	360VP	3	3-1/2	58-3/8	8	475
200401	460VP	4	4-1/2	58-3/8	6	600
210501	560VP	5	5-1/2	58-3/8	6	700
210601	660VP	6	6-1/2	58-3/8	6	900
220701	760VP	7	7-1/2	58-3/8	3	1008
220801	860VP	8	8-1/2	58-3/8	3	1100

NOTE: Dimension C is installed length. Nominal length is 60".



ITEM #	MODEL #	A (")	B (")	C (")	CTN/QTY	WT/100
200350	348VP	3	3-1/2	46-3/8	4	375
200450	448VP	4	4-1/2	46-3/8	6	500
210550	548VP	5	5-1/2	46-3/8	6	600
210650	648VP	6	6-1/2	46-3/8	6	675
220750	748VP	7	7-1/2	46-3/8	4	775
220850	848VP	8	8-1/2	46-3/8	4	900

NOTE: Dimension C is installed length. Nominal length is 48".

ITEM #	MODEL #	A (")	B (")	C (")	CTN/QTY	WT/100
200302	336VP	3	3-1/2	34-3/8	4	275
200402	436VP	4	4-1/2	34-3/8	6	375
210502	536VP	5	5-1/2	34-3/8	6	450
210602	636VP	6	6-1/2	34-3/8	6	525
220702	736VP	7	7-1/2	34-3/8	4	600
220802	836VP	8	8-1/2	34-3/8	4	700

NOTE: Dimension C is installed length. Nominal length is 36".

ITEM #	MODEL #	A (")	B (")	C (")	CTN/QTY	WT/100
200352	324VP	3	3-1/2	22-3/8	8	200
200452	424VP	4	4-1/2	22-3/8	6	250
210552	524VP	5	5-1/2	22-3/8	6	300
210652	624VP	6	6-1/2	22-3/8	6	350
220752	724VP	7	7-1/2	22-3/8	8	400
220852	824VP	8	8-1/2	22-3/8	8	450

NOTE: Dimension C is installed length. Nominal length is 24".

ITEM #	MODEL #	A (")	B (")	C (")	CTN/QTY	WT/100
200303	318VP	3	3-1/2	16-3/8	8	150
200403	418VP	4	4-1/2	16-3/8	8	200
210503	518VP	5	5-1/2	16-3/8	8	225
210603	618VP	6	6-1/2	16-3/8	8	275
220703	718VP	7	7-1/2	16-3/8	8	325
220803	818VP	8	8-1/2	16-3/8	8	350

NOTE: Dimension C is installed length. Nominal length is 18".

ITEM #	MODEL #	A (")	B (")	C (")	CTN/QTY	WT/100
200304	312VP	3	3-1/2	10-3/8	12	100
200404	412VP	4	4-1/2	10-3/8	12	125
210504	512VP	5	5-1/2	10-3/8	12	150
210604	612VP	6	6-1/2	10-3/8	12	200
220704	712VP	7	7-1/2	10-3/8	12	225
220804	812VP	8	8-1/2	10-3/8	12	250

NOTE: Dimension C is installed length. Nominal length is 12".

ITEM #	MODEL #	A (")	B (")	C (")	CTN/QTY	WT/100
200356	306VP	3	3-1/2	4-3/8	10	50
200456	406VP	4	4-1/2	4-3/8	10	80
210556	506VP	5	5-1/2	4-3/8	10	80
210656	606VP	6	6-1/2	4-3/8	10	100
220756	706VP	7	7-1/2	4-3/8	8	125
220856	806VP	8	8-1/2	4-3/8	8	125

NOTE: Dimension C is installed length. Nominal length is 6".

We have custom capabilities to manufacture any sizes you may require. Contact factory for special sizes and configurations not listed.

-E.&O.E. - Subject to Change Without Notice - May Not Be Available At All Locations -



BUILDING PRODUCTS

MODEL E/R TYPE B GAS VENT 3" - 8"

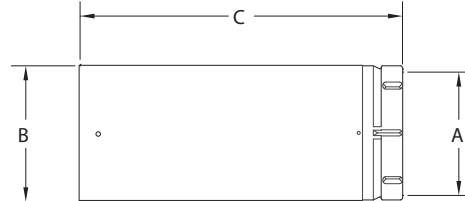
VENT PIPE ADJUSTABLE — VPA

ITEM #	MODEL #	A (")	B (")	C (")	CTN/QTY	WT/100
200305	312VPA	3	3-5/8	12	12	100
200405	412VPA	4	4-5/8	12	12	125
210505	512VPA	5	5-5/8	12	12	150
210605	612VPA	6	6-5/8	12	12	200
220705	712VPA	7	7-5/8	12	12	225
220805	812VPA	8	8-5/8	12	12	250

NOTE: 12" lengths adjust from 4" to 10". Includes sheet metal screws.

ITEM #	MODEL #	A (")	B (")	C (")	CTN/QTY	WT/100
200326	318VPA	3	3-5/8	18	8	150
200426	418VPA	4	4-5/8	18	8	200
210526	518VPA	5	5-5/8	18	8	225
210626	618VPA	6	6-5/8	18	8	275
220726	718VPA	7	7-5/8	18	8	325
220826	818VPA	8	8-5/8	18	8	350

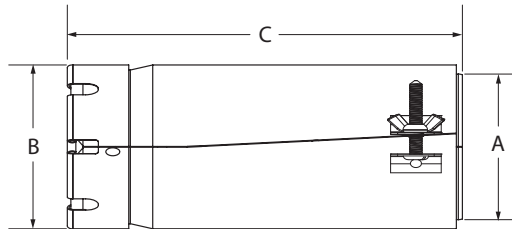
NOTE: 18" lengths adjust from 4" to 16". Includes sheet metal screws.



VENT PIPE ADJUSTABLE WITH CLAMP — VPAC

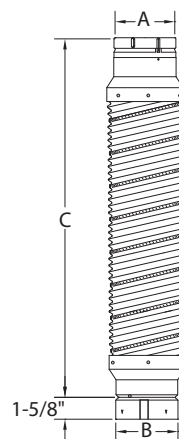
ITEM #	MODEL #	A (")	B (")	C (")	CTN/QTY	WT/100
200396	312VPAC	3	3-5/8	12	12	100
200496	412VPAC	4	4-5/8	12	12	125
210596	512VPAC	5	5-5/8	12	12	150
210696	612VPAC	6	6-5/8	12	12	200
220796	712VPAC	7	7-5/8	12	12	225
220896	812VPAC	8	8-5/8	12	12	250

ITEM #	MODEL #	A (")	B (")	C (")	CTN/QTY	WT/100
200397	318VPAC	3	3-5/8	18	8	150
200497	418VPAC	4	4-5/8	18	8	200
210597	518VPAC	5	5-5/8	18	8	225
210697	618VPAC	6	6-5/8	18	8	275
220797	718VPAC	7	7-5/8	18	8	325
220897	818VPAC	8	8-5/8	18	8	350



GAS VENT CONNECTORS — FLEXIBLE — FGVC

ITEM #	MODEL #	A (")	B (")	C (")	CTN/QTY	WT/100
200392	3" x 24"	3	3-1/2	24	25	130
200393	3" x 36"	3	3-1/2	36	16	230
200394	3" x 48"	3	3-1/2	48	16	290
200395	3" x 60"	3	3-1/2	60	16	345
200492	4" x 24"	4	4-1/2	24	16	220
200493	4" x 36"	4	4-1/2	36	9	300
200494	4" x 48"	4	4-1/2	48	9	365
200495	4" x 60"	4	4-1/2	60	9	445
210592	5" x 24"	5	5-1/2	24	11	260
210593	5" x 36"	5	5-1/2	36	9	345
210594	5" x 48"	5	5-1/2	48	9	435
210595	5" x 60"	5	5-1/2	60	9	510



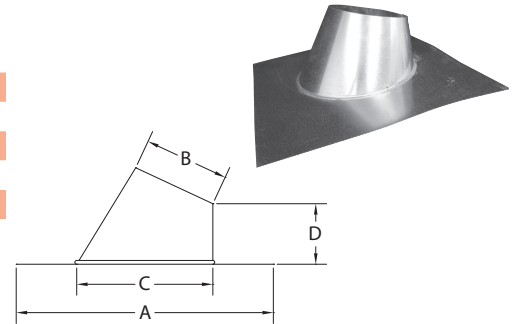
We have custom capabilities to manufacture any sizes you may require. Contact factory for special sizes and configurations not listed.

-E.&O.E. - Subject to Change Without Notice - May Not Be Available At All Locations -

FLASHINGS — ADJUSTABLE — 1/12 — 7/12 — AF

ITEM #	MODEL #	SIZE (")	A (")	B (")	C (")	D (")	CTN/QTY	WT/100
200308	3AF	3	15 × 15	3-5/8	7	4	10	160
200408	4AF	4	16 × 16	4-5/8	8	4	10	180
210508	5AF	5	17 × 17	5-5/8	9	4	10	200
210608	6AF	6	18 × 18	6-5/8	10	4	10	230
220708	7AF	7	19-1/2 × 19-1/2	7-5/8	11-1/2	4	10	275
220808	8AF	8	20-1/2 × 20-1/2	8-5/8	12-1/2	4	10	300

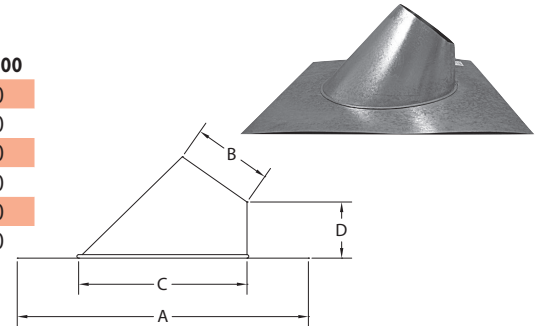
NOTE: Soldered roof flashings available upon request.



FLASHINGS — ADJUSTABLE — 8/12 — 12/12 — AFS

ITEM #	MODEL #	SIZE (")	A (")	B (")	C (")	D (")	CTN/QTY	WT/100
200328	3AFS	3	18 × 18	3-5/8	9-3/8	4	10	250
200428	4AFS	4	19-1/2 × 19-1/2	4-5/8	10-5/8	4	10	260
210528	5AFS	5	20-3/4 × 20-3/4	5-5/8	12	4	10	300
210628	6AFS	6	21-3/8 × 21-3/8	6-5/8	13-3/8	4	10	340
220728	7AFS	7	23 × 23	7-5/8	15	4	5	400
220828	8AFS	8	24-3/8 × 24-3/8	8-5/8	16-3/8	4	5	440

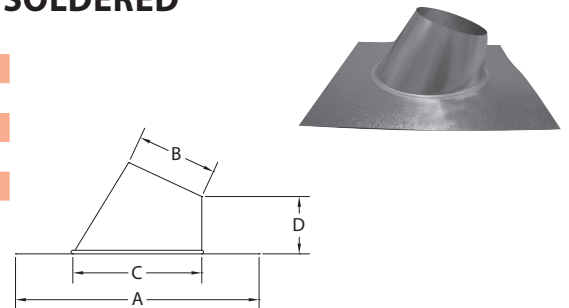
NOTE: Soldered roof flashings available upon request.



FLASHINGS — ADJUSTABLE — 1/12 — 7/12 — ARF — SOLDERED

ITEM #	MODEL #	A (")	B (")	C (")	CTN/QTY	WT/100
200369	3ARF	15 × 15	3-5/8	7	10	160
200469	4ARF	16 × 16	4-5/8	8	10	180
210569	5ARF	17 × 17	5-5/8	9	10	200
210669	6ARF	18 × 18	6-5/8	10	10	230
220769	7ARF	19-1/2 × 19-1/2	7-5/8	11-1/2	8	275
220869	8ARF	20-1/2 × 20-1/2	8-5/8	12-1/2	8	300

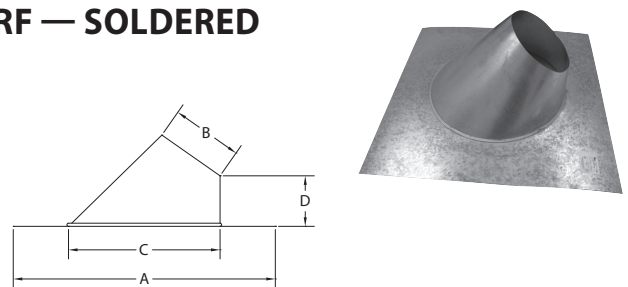
NOTE: All seams are soldered.



FLASHINGS — ADJUSTABLE — 8/12 — 12/12 — ARF — SOLDERED

ITEM #	MODEL #	A (")	B (")	C (")	CTN/QTY	WT/100
200370	3ARF	18 × 18	3-5/8	9-3/8	10	250
200470	4ARF	19-1/2 × 19-1/2	4-5/8	10-5/8	10	260
210570	5ARF	20-3/4 × 20-3/4	5-5/8	12	10	300
210670	6ARF	21-3/8 × 21-3/8	6-5/8	13-3/8	10	340
220770	7ARF	23 × 23	7-5/8	15	5	400
220870	8ARF	24-3/8 × 24-3/8	8-5/8	16-3/8	5	580

NOTE: All seams are soldered.



We have custom capabilities to manufacture any sizes you may require. Contact factory for special sizes and configurations not listed.

- E.&O.E. - Subject to Change Without Notice - May Not Be Available At All Locations -

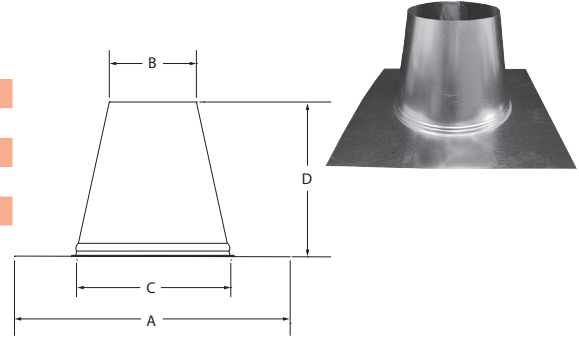


BUILDING PRODUCTS

MODEL E/R TYPE B GAS VENT 3" - 8"

FLASHINGS — FLAT — FF

ITEM #	MODEL #	SIZE (")	A (")	B (")	C (")	D (")	CTN/QTY	WT/100
200309	3FF	3	16 × 16	3-5/8	8	10	10	300
200409	4FF	4	16 × 16	4-5/8	8	10	10	320
210509	5FF	5	18 × 18	5-5/8	10	10	10	360
210609	6FF	6	18 × 18	6-5/8	10	10	10	360
220709	7FF	7	20 × 20	7-5/8	12	10	5	420
220809	8FF	8	20 × 20	8-5/8	12	10	5	420

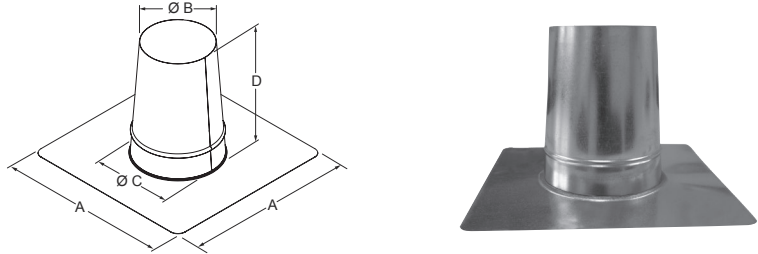


NOTE: All seams are soldered.

FLASHINGS — FLAT — HOT WELDED

ITEM #	DESCRIPTION	SIZE (")	A (")	B (")	C (")	D (")	CTN/QTY	WT/100
131362	4" Hot Weld Flat Flashing B-Vent	4	14	4-5/8	6	10	*	206
131364	5" Hot Weld Flat Flashing B-Vent	5	15	5-5/8	7	10	*	237
131366	6" Hot Weld Flat Flashing B-Vent	6	16	6-5/8	8	10	*	268
131368	7" Hot Weld Flat Flashing B-Vent	7	17	7-5/8	9	10	*	300
131370	8" Hot Weld Flat Flashing B-Vent	8	18	8-5/8	10	10	*	332

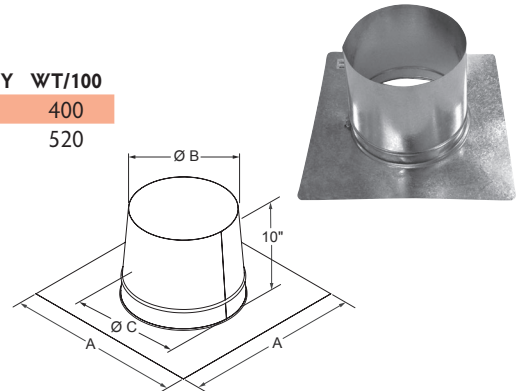
*Product shipped individually.



FLASHINGS — FLAT — PIPE SIZE — HOT WELDED

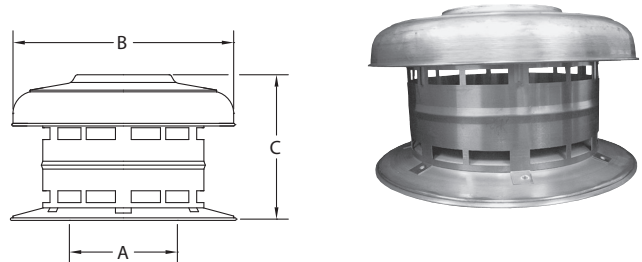
ITEM #	DESCRIPTION	SIZE (")	A (")	B (")	C (")	CTN/QTY	WT/100
131382	10" H/W Flat Flashing Pipe Size	10	20	10-1/2	12	*	400
131383	12" H/W Flat Flashing Pipe Size	12	22	12-1/2	14	*	520

* Product shipped individually.



RAIN CAPS — RC

ITEM #	MODEL #	A (")	B (")	C (")	CTN/QTY	WT/100
200306	3RC	3	8	6-1/8	10	40
200406	4RC	4	9-3/8	6-1/8	16	90
210506	5RC	5	10-3/4	7	16	100
210606	6RC	6	12-3/8	7	8	120
220706	7RC	7	14	7-3/4	8	140
220806	8RC	8	15-5/8	7-3/4	6	160

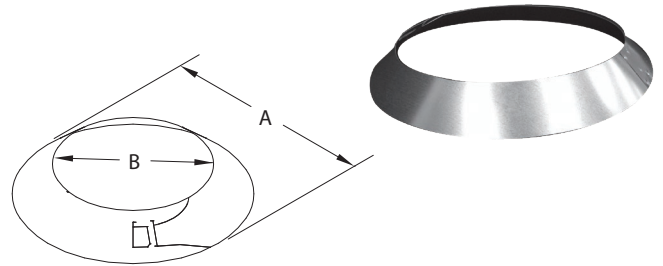


We have custom capabilities to manufacture any sizes you may require. Contact factory for special sizes and configurations not listed.

-E.&O.E. - Subject to Change Without Notice - May Not Be Available At All Locations -

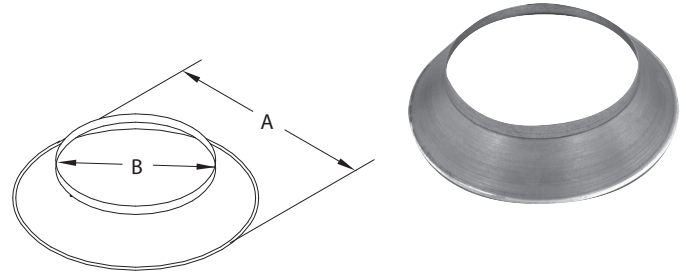
STORM COLLARS — SC

ITEM #	MODEL #	SIZE (")	A (")	B (")	PCS/BNDL	WT/100
200307	3SC	3	6-1/4	3-1/2	10	20
200407	4SC	4	7-1/4	4-1/2	10	26
210507	5SC	5	8-1/4	5-1/2	10	27
210607	6SC	6	9-1/4	6-1/2	10	30
220707	7SC	7	10-1/4	7-1/2	8	34
220807	8SC	8	11-1/4	8-1/2	8	38



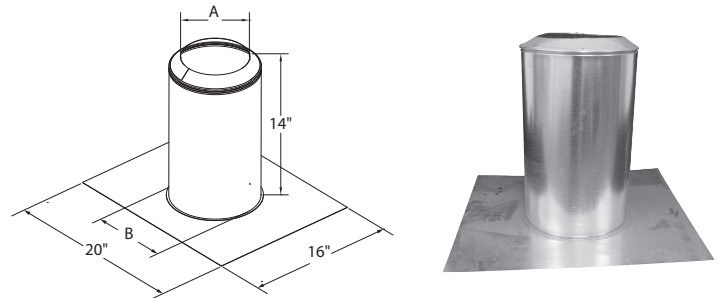
STORM COLLARS — SPUN — SSC

ITEM #	MODEL #	SIZE (")	A (")	B (")	CTN/QTY	WT/100
200390	3SSC	3	6-3/4	3-1/2	50	14
200490	4SSC	4	7-3/4	4-1/2	50	18
210590	5SSC	5	8-3/4	5-1/2	50	22
210690	6SSC	6	9-3/4	6-1/2	50	26
220790	7SSC	7	10-3/4	7-1/2	50	36
220890	8SSC	8	11-3/4	8-1/2	50	44



ATTIC INSULATION SHIELDS — AIS

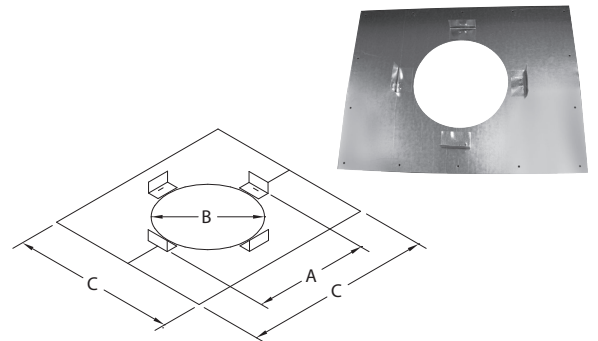
ITEM #	MODEL #	A (")	B (")	CTN/QTY	WT/100
200316	3AIS	3-5/8	5-3/4	1	335
200416	4AIS	4-5/8	6-3/4	1	365
210516	5AIS	5-5/8	7-3/4	1	395
210616	6AIS	6-5/8	8-3/4	1	425
220716	7AIS	7-5/8	9-3/4	1	455
220816	8AIS	8-5/8	10-3/4	1	485



FIRESTOP SPACERS — FS

ITEM #	MODEL #	SIZE (")	A (")	B (")	C (")	CTN/QTY	WT/100
200310	3FS	3	5-5/8 × 5-5/8	3-5/8	13	20	100
200410	4FS	4	6-5/8 × 6-5/8	4-5/8	13	20	100
210510	5FS	5	7-5/8 × 7-5/8	5-5/8	13	20	95
210610	6FS	6	8-5/8 × 8-5/8	6-5/8	13	20	90
220710	7FS	7	9-5/8 × 9-5/8	7-5/8	13	16	75
220810	8FS	8	10-5/8 × 10-5/8	8-5/8	13	5	75

NOTE: Firestop Spacers are required above and below each floor and ceiling level penetrated by the vent.



We have custom capabilities to manufacture any sizes you may require. Contact factory for special sizes and configurations not listed.

— E.&O.E. — Subject to Change Without Notice — May Not Be Available At All Locations —

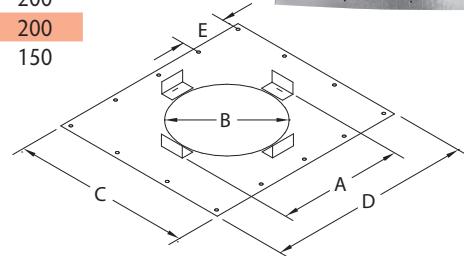
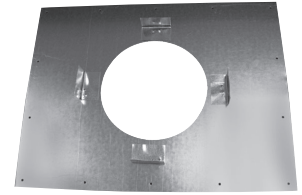


BUILDING PRODUCTS

MODEL E/R TYPE B GAS VENT 3" - 8"

SUPPORT PLATES — SP

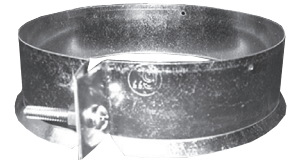
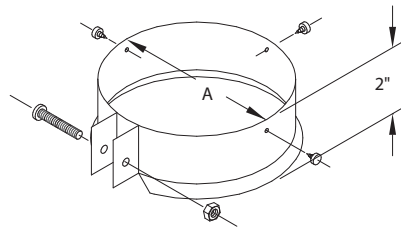
ITEM #	MODEL #	SIZE (")	A (")	B (")	C (")	D (")	E (")	CTN/QTY	WT/100
200317	3SP	3	5-5/8 × 5-5/8	3-5/8	13	17	4	10	210
200417	4SP	4	6-5/8 × 6-5/8	4-5/8	13	17	4	10	200
210517	5SP	5	7-5/8 × 7-5/8	5-5/8	13	17	4	10	200
210617	6SP	6	8-5/8 × 8-5/8	6-5/8	13	17	4	10	200
220717	7SP	7	9-5/8 × 9-5/8	7-5/8	13	17	4	8	200
220817	8SP	8	10-5/8 × 10-5/8	8-5/8	13	17	4	8	150



NOTE: Support Plate and Support Ring required for every 30 feet of vent height.

SUPPORT RINGS — SR

ITEM #	MODEL #	SIZE (")	A (")	CTN/QTY	WT/100
200318	3SR	3	3-1/2	20	25
200418	4SR	4	4-1/2	20	30
210518	5SR	5	5-1/2	20	40
210618	6SR	6	6-1/2	20	50
220718	7SR	7	7-1/2	16	50
220818	8SR	8	8-1/2	16	50



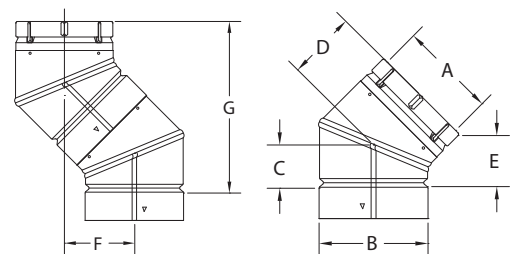
NOTE: Support Plate and Support Ring required for every 30 feet of vent height.
Includes sheet metal Screws and Assembly Bolt for installation.

ELBOWS — 45 DEGREE — 45EL — 2 PIECE

ITEM #	MODEL #	A (")	B (")	C (")	D (")	E (")	F (")	G (")	CTN/QTY	WT/100
220713	745EL	7	7-1/2	3	4-1/4	3-3/8	5	11-7/8	12	175
220813	845EL	8	8-1/2	3-1/4	4-1/2	3-3/8	5-1/2	12-5/8	12	200



NOTE: Adjustable 0 deg. to 45 deg. Two piece construction. Dimension G is installed length.



We have custom capabilities to manufacture any sizes you may require. Contact factory for special sizes and configurations not listed.

— E.&O.E. — Subject to Change Without Notice — May Not Be Available At All Locations —



BUILDING PRODUCTS

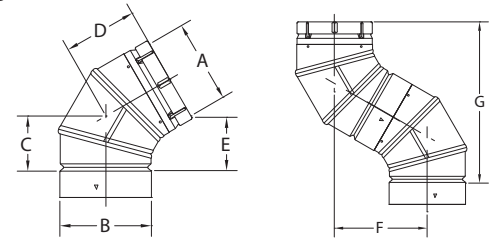
MODEL E/R TYPE B GAS VENT 3" - 8"

ELBOWS — 45 DEGREE — 45EL — 3 PIECE

ITEM #	MODEL #	A (")	B (")	C (")	D (")	E (")	F (")	G (")	CTN/QTY	WT/100
200313	345EL	3	3-1/2	3	3-7/8	3-1/8	6-1/4	9-5/8	12	65
200413	445EL	4	4-1/2	3	4-1/4	3-1/8	6-1/4	10-3/4	10	100
210513	545EL	5	5-1/2	3-1/4	4-5/8	3-1/4	6-3/4	11-3/4	10	100
210613	645EL	6	6-1/2	3-1/2	5	3-1/4	7-3/8	12-1/2	10	125



NOTE: Adjustable 0 deg. to 60 deg. Three piece construction. Dimension G is installed length.

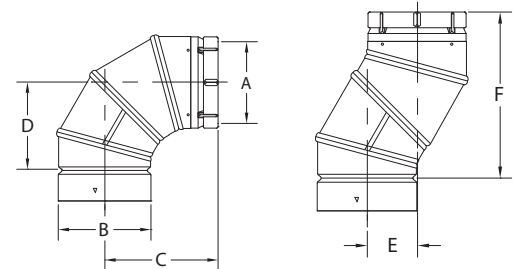


ELBOWS — 90 DEGREE — 90EL

ITEM #	MODEL #	A (")	B (")	C (")	D (")	E (")	F (")	CTN/QTY	WT/100
200314	390EL	3	3-1/2	5-1/4	4-1/4	2	7-3/8	8	100
200414	490EL	4	4-1/2	6	4-5/8	2-1/4	8-5/8	10	125
210514	590EL	5	5-1/2	6-5/8	5	2-1/2	9-3/8	8	175
210614	690EL	6	6-1/2	6-5/8	5	2-3/4	9-3/4	8	200
220714	790EL	7	7-1/2	7-1/2	7-1/2	3	11-1/4	8	275
220814	890EL	8	8-1/2	8-1/4	6-5/8	3	11-3/4	6	300



NOTE: Adjustable 0 deg. to 90 deg. Dimension F is installed length.

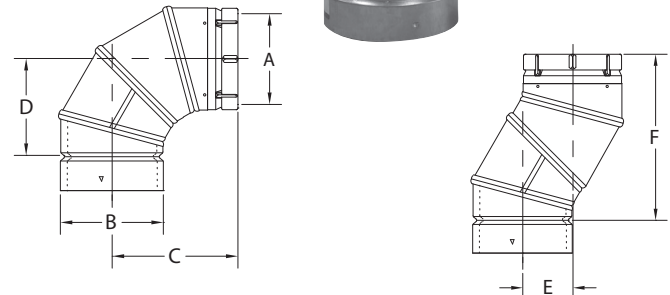


ELBOWS — DIRECT CONNECT — 90 DEGREE

ITEM #	MODEL #	A (")	B (")	C (")	D (")	E (")	F (")	CTN/QTY	WT/100
200380	3DCE	3	3-1/2	5-1/4	4-1/4	2	7-3/8	8	100
200480	4DCE	4	4-1/2	6	4-5/8	2-1/4	8-5/8	10	125



NOTE: Inner Liner flared to directly connect to appliance.

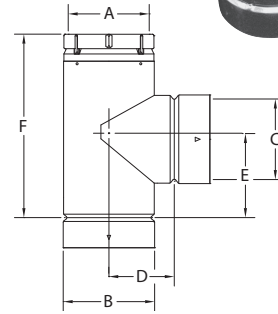


We have custom capabilities to manufacture any sizes you may require. Contact factory for special sizes and configurations not listed.

— E.&O.E. — Subject to Change Without Notice — May Not Be Available At All Locations —

TEES — DOUBLE WALL — DWT

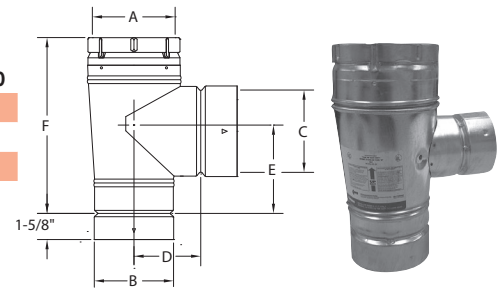
ITEM #	MODEL #	A (")	B (")	C (")	D (")	E (")	F (")	CTN/QTY	WT/100
200312	3DWT	3	3-1/2	3	3	2-3/4	7-1/8	6	100
200412	4DWT	4	4-1/2	4	3-1/2	3-1/4	8-1/8	6	200
210512	5DWT	5	5-1/2	5	4	3-3/4	9-1/8	8	200
210545	5DWT3	5	5-1/2	3	4	2-3/4	7-1/8	8	200
210544	5DWT4	5	5-1/2	4	4	3-1/4	8-1/8	6	200
210612	6DWT	6	6-1/2	6	4-1/2	4-1/4	10-1/8	6	250
210642	6DWT63	6	6-1/2	3	4-1/2	2-3/4	7-1/8	6	250
210644	6DWT4	6	6-1/2	4	4-1/2	3-1/4	8-1/8	6	250
210645	6DWT5	6	6-1/2	5	4-1/2	3-3/4	9-1/8	6	275
220712	7DWT	7	7-1/2	7	5	4-3/4	11-1/8	6	300
220774	7DWT4	7	7-1/2	4	5	3-1/4	8-1/8	6	300
220743	7DWT5	7	7-1/2	5	5	3-3/4	9-1/8	6	260
220742	7DWT6	7	7-1/2	6	5	4-1/4	10-1/8	6	300
220812	8DWT	8	8-1/2	8	5-1/2	5-1/4	12-1/8	6	400



NOTE: Dimension F is installed length. Tee Cap not included.

TEES — DOUBLE WALL — DWT TAPER

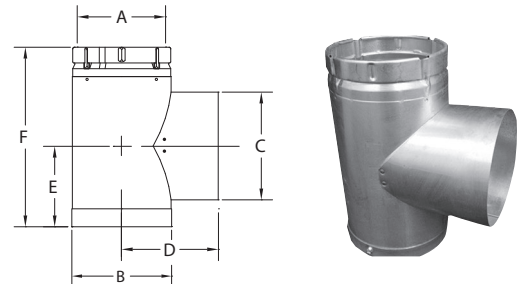
ITEM #	MODEL #	A (")	B (")	C (")	D (")	E (")	F (")	CTN/QTY	WT/100
210542	5DWT43	5	4-1/2	3	4-1/4	4-1/2	9-7/8	8	190
210543	5DWT44	5	4-1/2	4	4-1/4	4-1/2	9-7/8	8	190
210643	6DWT54	6	5-1/2	4	4-1/4	5	11	8	215



NOTE: Dimension F is installed length.

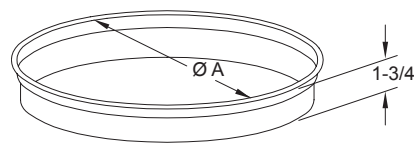
TEES — SINGLE WALL — GALVANIZED — SWT

ITEM #	MODEL #	A (")	B (")	C (")	D (")	E (")	F (")	CTN/QTY	WT/100
200311	3SWT	3	3-1/2	3	4	6	12	10	110
200411	4SWT	4	4-1/2	4	5	6	12	10	150



TEE CAPS — SPUN — TC

ITEM #	MODEL #	A (")	CTN/QTY	WT/100
570326	3TC	3	20	20
570426	4TC	4	20	26
570526	5TC	5	20	35
570626	6TC	6	20	46
570726	7TC	7	20	60
570826	8TC	8	20	72



We have custom capabilities to manufacture any sizes you may require. Contact factory for special sizes and configurations not listed.

- E.&O.E. - Subject to Change Without Notice - May Not Be Available At All Locations -



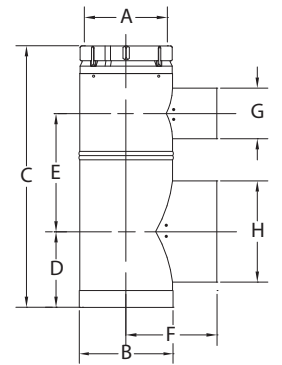
BUILDING PRODUCTS

MODEL E/R TYPE B GAS VENT 3" - 8"

TEES — SINGLE WALL BASE — GALVANIZED — SWBT

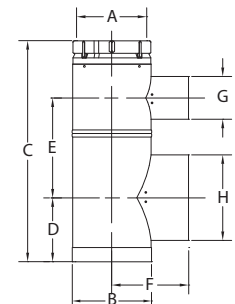
ITEM #	MODEL #	A (")	B (")	C (")	D (")	E (")	F (")	G (")	H (")	CTN/QTY	WT/100
200422	4SWT43	4	4-1/2	15-3/8	4-1/4	7	5	3	4	10	180
210522	5SWT43	5	5-1/2	15-3/8	4-1/4	7	5-1/2	3	4	10	230
210524	5SWT44	5	5-1/2	15-3/8	4-1/4	7	5-1/2	4	4	10	200
210511	5SWT53	5	5-1/2	15-3/8	4-1/4	7	5-1/2	3	5	10	240
210523	5SWT54	5	5-1/2	15-3/8	4-1/4	7	5-1/2	4	5	10	240
210525	5SWT55	5	5-1/2	15-3/8	4-1/4	7	5-1/2	5	5	10	240
210625	6SWT44	6	6-1/2	15-3/8	4-1/4	7	6	4	4	10	230
210622	6SWT53	6	6-1/2	15-3/8	4-1/4	7	6	3	5	10	250
210624	6SWT54	6	6-1/2	15-3/8	4-1/4	7	6	4	5	10	275
210621	6SWT55	6	6-1/2	15-3/8	4-1/4	7	6	5	5	10	251
210611	6SWT63	6	6-1/2	15-3/8	4-1/4	7	6	3	6	10	250
210623	6SWT64	6	6-1/2	15-3/8	4-1/4	7	6	4	6	10	250
210620	6SWT65	6	6-1/2	15-3/8	4-1/4	7	6	5	6	10	250
210627	6SWT66	6	6-1/2	15-3/8	4-1/4	7	6	6	6	10	250
220722	7SWT53	7	7-1/2	15-3/8	4-1/4	7	6-1/2	3	5	10	300
220720	7SWT55	7	7-1/2	15-3/8	4-1/4	7	6-1/2	5	5	10	300
220723	7SWT63	7	7-1/2	15-3/8	4-1/4	7	6-1/2	3	6	10	300
220725	7SWT64	7	7-1/2	15-3/8	4-1/4	7	6-1/2	4	6	10	300
220711	7SWT73	7	7-1/2	15-3/8	4-1/4	7	6-1/2	3	7	10	300
220724	7SWT74	7	7-1/2	15-3/8	4-1/4	7	6-1/2	4	7	10	300
220721	7SWT75	7	7-1/2	15-3/8	4-1/4	7	6-1/2	5	7	10	300
220811	8SWT83	8	8-1/2	17-5/8	6	7-1/2	7	3	8	8	375
220824	8SWT84	8	8-1/2	17-5/8	6	7-1/2	7	4	8	8	375

NOTE: Swivel Joint allows a full 360 deg. Rotation between top and bottom of tee. Factory installed Tee Cap attached to bottom of Tee.



TEES — SINGLE WALL BASE — ALUMINUM — SWBTA

ITEM #	MODEL #	A (")	B (")	C (")	D (")	E (")	F (")	G (")	H (")	CTN/QTY	WT/100
210584	5SWT43A	5	5-1/2	15-3/8	4-1/4	7	5-1/2	3	4	10	160
210583	5SWT44A	5	5-1/2	15-3/8	4-1/4	7	5-1/2	4	4	10	160
210582	5SWT53A	5	5-1/2	15-3/8	4-1/4	7	5-1/2	3	5	10	104
210581	5SWT54A	5	5-1/2	15-3/8	4-1/4	7	5-1/2	4	5	10	160
210687	6SWT44A	6	6-1/2	15-3/8	4-1/4	7	6	4	4	10	270
210686	6SWT53A	6	6-1/2	15-3/8	4-1/4	7	6	3	5	10	170
210685	6SWT54A	6	6-1/2	15-3/8	4-1/4	7	6	4	5	10	170
210683	6SWT63A	6	6-1/2	15-3/8	4-1/4	7	6	3	6	10	108
210682	6SWT64A	6	6-1/2	15-3/8	4-1/4	7	6	4	6	10	170
220786	7SWT64A	7	7-1/2	15-3/8	4-1/4	7	6-1/2	4	6	10	200
220783	7SWT74A	7	7-1/2	15-3/8	4-1/4	7	6-1/2	4	7	10	200



We have custom capabilities to manufacture any sizes you may require. Contact factory for special sizes and configurations not listed.

— E.&O.E. — Subject to Change Without Notice — May Not Be Available At All Locations —



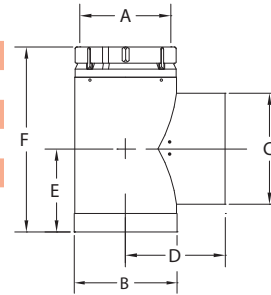
BUILDING PRODUCTS

MODEL E/R TYPE B GAS VENT 3" - 8"

TEES — SINGLE WALL — ALUMINUM — SWTA

ITEM #	MODEL #	A (")	B (")	C (")	D (")	E (")	F (")	CTN/QTY	WT/100
200330	3SW/TA	3	3-1/2	3	3-1/2	5	10	10	40
200430	4SW/TA	4	4-1/2	4	4-3/4	5	10	10	50
210530	5SW/TA	5	5-1/2	5	5-1/2	5	10	10	100
210630	6SW/TA	6	6-1/2	6	5-3/4	5-1/2	11	10	100
220730	7SW/TA	7	7-1/2	7	6-1/4	6	12	10	130
220830	8SW/TA	8	8-1/2	8	7	6-1/2	13	8	175

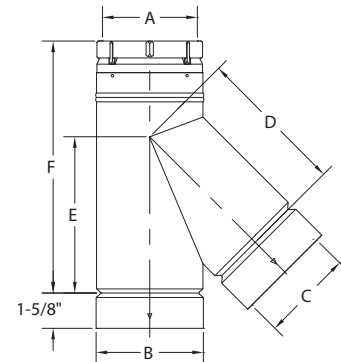
NOTE: Factory Tee Cap attached to bottom of Tee.



WYES — SWIVEL — DOUBLE WALL — DWW

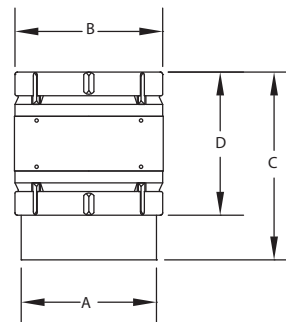
ITEM #	MODEL #	A (")	B (")	C (")	D (")	E (")	F (")	CTN/QTY	WT/100
200434	4DW/W33	4	3-1/2	3	4-11/16	6-3/4	11-1/8	6	200
200433	4DW/W43	4	4-1/2	3	4-11/16	6-3/4	11-1/8	6	200
200431	4DW/W44	4	4-1/2	4	5 3/16	6-3/4	11-1/8	6	200
210536	5DW/W33	5	3-1/2	3	5-3/8	7-1/2	11-11/16	6	225
210535	5DW/W43	5	4-1/2	3	5-3/8	7-1/2	11-11/16	6	225
210534	5DW/W44	5	4-1/2	4	5-7/8	7-1/2	11-11/16	6	225
210533	5DW/W53	5	5-1/2	3	5-3/8	7-1/2	11-11/16	6	225
210532	5DW/W54	5	5-1/2	4	5-7/8	7-1/2	11-11/16	6	225
210531	5DW/W55	5	5-1/2	5	6-3/8	7-1/2	12-3/16	6	225
210638	6DW/W44	6	4-1/2	4	6-5/8	7-1/2	10-15/16	6	275
210637	6DW/W53	6	5-1/2	3	6-1/8	7-1/2	10-15/16	6	275
210636	6DW/W54	6	5-1/2	4	6-5/8	7-1/2	10-15/16	6	275
210634	6DW/W63	6	6-1/2	3	6-1/8	7-1/2	10-15/16	4	275
210633	6DW/W64	6	6-1/2	4	6-5/8	7-1/2	10-15/16	6	275
210632	6DW/W65	6	6-1/2	5	7-1/8	8-1/4	12-3/8	4	275
210631	6DW/W66	6	6-1/2	6	7-5/8	9	13-7/8	4	275
220734	7DW/W74	7	7-1/2	4	9	9	12-7/16	6	270
220733	7DW/W75	7	7-1/2	5	9-1/2	9	12-7/16	6	280
220732	7DW/W76	7	7-1/2	6	8-3/8	9-1/2	13-7/8	4	290
220731	7DW/W77	7	7-1/2	7	8-7/8	10	14-15/16	4	350
220831	8DW/W88	8	8-1/2	8	9-7/8	11-1/2	17-1/8	4	450

NOTE: Stub dimension B and C may vary according to customer requirements. If an Increasing Wye is required, use a standard Wye and an Increaser.



DRAFT HOOD CONNECTORS — DHC

ITEM #	MODEL #	A (")	B (")	C (")	D (")	CTN/QTY	WT/100
200315	3DHC	3	3-1/2	8-1/2	5-1/2	10	40
200415	4DHC	4	4-1/2	8-1/2	5-1/2	10	50
210515	5DHC	5	5-1/2	8-1/2	5-1/2	10	70
210615	6DHC	6	6-1/2	8-1/2	5-1/2	10	80
220715	7DHC	7	7-1/2	8-1/2	5-1/2	8	100
220815	8DHC	8	8-1/2	8-1/2	5-1/2	8	100



We have custom capabilities to manufacture any sizes you may require. Contact factory for special sizes and configurations not listed.

— E.&O.E. — Subject to Change Without Notice — May Not Be Available At All Locations —

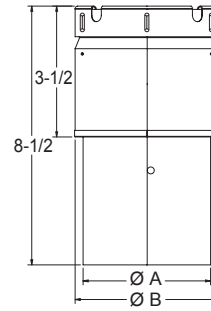


BUILDING PRODUCTS

MODEL E/R TYPE B GAS VENT 3" - 8"

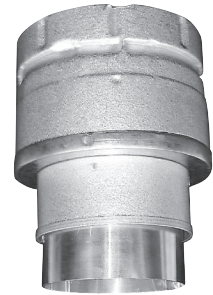
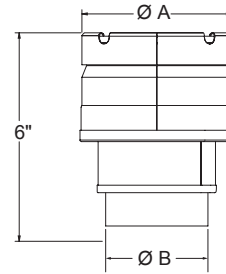
DRAFT HOOD CONNECTORS WITH HEM — DHCH

ITEM #	MODEL #	A (")	B (")	CTN/QTY	WT/100
200372	3DHCH	3	3-1/2	10	40
200472	4DHCH	4	4-1/2	10	45
210572	5DHCH	5	5-1/2	10	50
210672	6DHCH	6	6-1/2	10	55
220772	7DHCH	7	7-1/2	8	60
220872	8DHCH	8	8-1/2	8	65



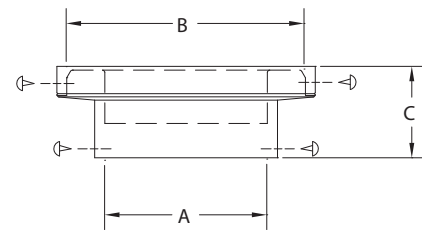
DRAFT HOOD CONNECTOR INCREASER — DHCI

ITEM #	MODEL #	A (")	B (")	CTN/QTY	WT/100
200471	3DHCI	4-1/2	3.10	25	55



INCREASERS — DOUBLE WALL — INC

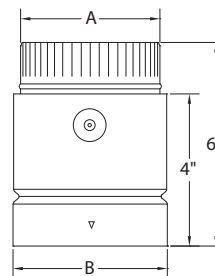
ITEM #	MODEL #	A (")	B (")	C (")	CTN/QTY	WT/100
200358	304INC	3	4	2-1/4	10	50
200359	305INC	3	5	2-1/4	10	60
200458	405INC	4	5	2-1/4	10	70
200459	406INC	4	6	2-1/4	10	85
200460	407INC	4	7	2-1/4	10	72
200461	408INC	4	8	2-1/4	10	80
210558	506INC	5	6	2-1/4	10	90
210559	507INC	5	7	2-1/4	10	108
210561	508INC	5	8	2-1/4	10	80
210658	607INC	6	7	2-1/4	10	110
210659	608INC	6	8	2-1/4	10	118
210660	610INC	6	10	2-1/4	10	100
220758	708INC	7	8	2-1/4	10	125
220858	810INC	8	10	2-1/4	10	120



NOTE: Includes Sheet Metal Screws for installation.

B-VENT TO SINGLE WALL CONNECTORS — BSW

ITEM #	MODEL #	A (")	B (")	CTN/QTY	WT/100
200363	3BSW	3	3-1/2	10	40
200463	4BSW	4	4-1/2	10	50
210563	5BSW	5	5-1/2	10	70
210663	6BSW	6	6-1/2	10	90



We have custom capabilities to manufacture any sizes you may require. Contact factory for special sizes and configurations not listed.

— E.&O.E. — Subject to Change Without Notice — May Not Be Available At All Locations —

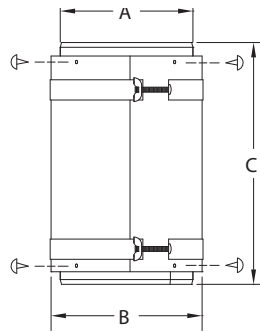


BUILDING PRODUCTS

MODEL E/R TYPE B GAS VENT 3" - 8"

B-VENT TO FLEX CONNECTORS — BF

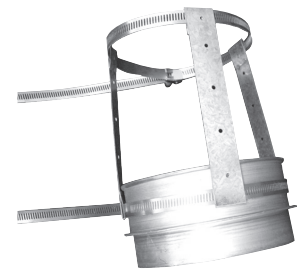
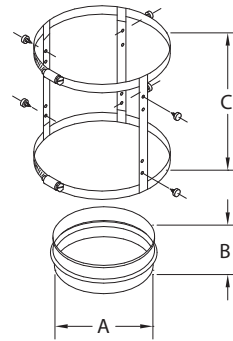
ITEM #	MODEL #	A (")	B (")	C (")	CTN/QTY	WT/100
200362	3BF	3	3-5/8	9	10	120
200462	4BF	4	4-5/8	9	10	140
210562	5BF	5	5-5/8	9	10	160
210662	6BF	6	6-5/8	9	10	180
220762	7BF	7	7-5/8	9	5	280
220862	8BF	8	8-5/8	9	5	320



NOTE: Includes Sheet Metal Screws for installation.

B-VENT TO B-VENT ADAPTERS — BA

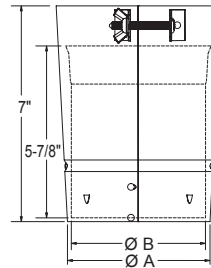
ITEM #	MODEL #	A (")	B (")	C (")	CTN/QTY	WT/100
200364	3BA	3	2-3/4	6-1/2	10	50
200464	4BA	4	3	6-1/2	10	60
210564	5BA	5	3	6-1/2	10	70
210664	6BA	6	3	6-1/2	10	80
220764	7BA	7	3	6-1/2	10	90
220864	8BA	8	3	6-1/2	10	100



NOTE: Includes Sheet Metal Screws for installation.

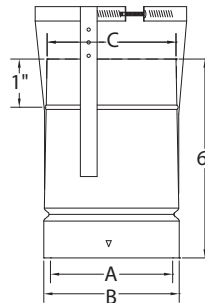
ADAPTERS — FEMALE — B-VENT — FMSA

ITEM #	MODEL #	A (")	B (")	CTN/QTY	WT/100
200373	3FMSA	3-5/8	3	25	65
200473	4FMSA	4-5/8	4	25	70
210573	5FMSA	5-5/8	5	10	75
210673	6FMSA	6-5/8	6	10	80
220773	7FMSA	7-5/8	7	8	85
220873	8FMSA	8-5/8	8	8	90



ADAPTERS — FEMALE — B-VENT — FMA

ITEM #	MODEL #	A (")	B (")	C (")	CTN/QTY	WT/100
200365	3FMA	3	3-5/8	3-3/8	10	70
200465	4FMA	4	4-5/8	4-3/8	10	85
210565	5FMA	5	5-5/8	5-3/8	10	100
210665	6FMA	6	6-5/8	6-3/8	10	115
220765	7FMA	7	7-5/8	7-3/8	8	100
210865	8FMA	8	8-5/8	8-3/8	8	110



We have custom capabilities to manufacture any sizes you may require. Contact factory for special sizes and configurations not listed.

-E.&O.E. - Subject to Change Without Notice - May Not Be Available At All Locations -

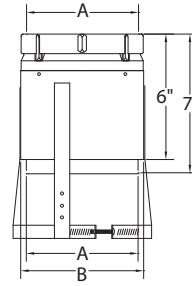


BUILDING PRODUCTS

MODEL E/R TYPE B GAS VENT 3" - 8"

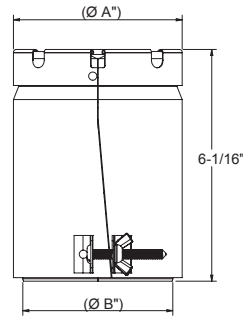
ADAPTERS — MALE — B-VENT — MA

ITEM #	MODEL #	A (")	B (")	CTN/QTY	WT/100
200366	3MA	3	3-5/8	10	70
200466	4MA	4	4-5/8	10	85
210566	5MA	5	5-5/8	10	100
210666	6MA	6	6-5/8	10	115



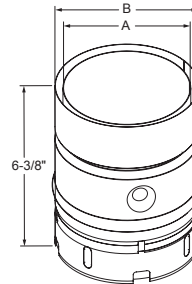
ADAPTERS — MALE — B-VENT — MSA

ITEM #	MODEL #	A (")	B (")	CTN/QTY	WT/100
200375	3MSA	3-5/8	3	25	65
200475	4MSA	4-5/8	4	25	70
210575	5MSA	5-5/8	5	10	75
210675	6MSA	6-5/8	6	10	80
220775	7MSA	7-5/8	7	8	85
220875	8MSA	8-5/8	8	8	90



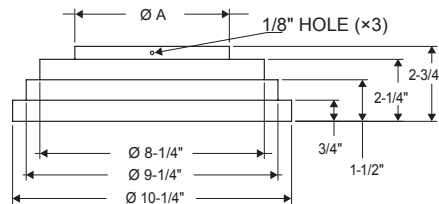
ADAPTER — B-VENT — HCA

ITEM #	MODEL #	A (")	B (")	CTN/QTY	WT/100
200477	4HCA	4	4-1/2	25	70



ADAPTERS — A-VENT TO B-VENT

ITEM #	SIZE (")	A (")	CTN/QTY	WT/100
139074	4	4-5/8	50	110
139075	5	5-5/8	50	110
139076	6	6-5/8	50	110



BUTYL GASKET (SEALANT TAPE)

ITEM #	DESCRIPTION	CTN/QTY	WT/100
704930	3/4" x 3/16" x 25'	5	250



We have custom capabilities to manufacture any sizes you may require. Contact factory for special sizes and configurations not listed.

— E.&O.E. — Subject to Change Without Notice — May Not Be Available At All Locations —

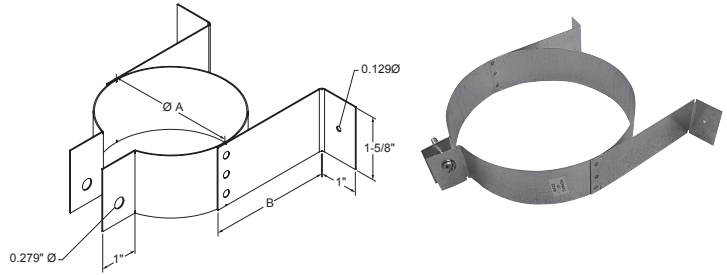


BUILDING PRODUCTS

MODEL E/R TYPE B GAS VENT 3" - 8"

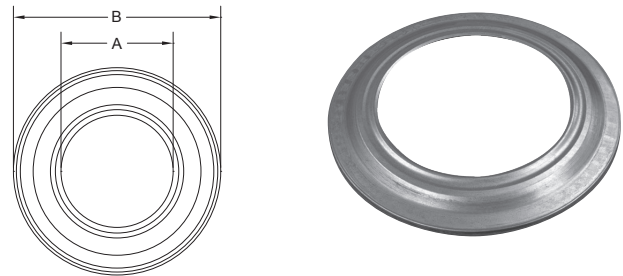
WALL BANDS — WB

ITEM #	MODEL #	A (")	B (")	CTN/QTY	WT/100
200319	3WB	3-1/2	3-1/8	20	35
200419	4WB	4-5/16	3-5/8	20	33
210519	5WB	5-5/16	4-1/8	20	38
210619	6WB	6-5/16	4-5/8	20	44
220719	7WB	7-1/2	4-1/4	20	51
220819	8WB	8-1/2	5-3/4	20	58



FINISHING COLLARS — FC

ITEM #	MODEL #	SIZE (")	A (")	B (")	CTN/QTY	WT/100
200389	3FC	3	3-5/8	8-1/2	50	30
200489	4FC	4	4-5/8	9-1/2	50	34
210589	5FC	5	5-5/8	10-1/2	50	40
210689	6FC	6	6-5/8	11-1/2	50	44
220789	7FC	7	7-5/8	12-1/2	50	50
220889	8FC	8	8-5/8	13-1/2	50	56



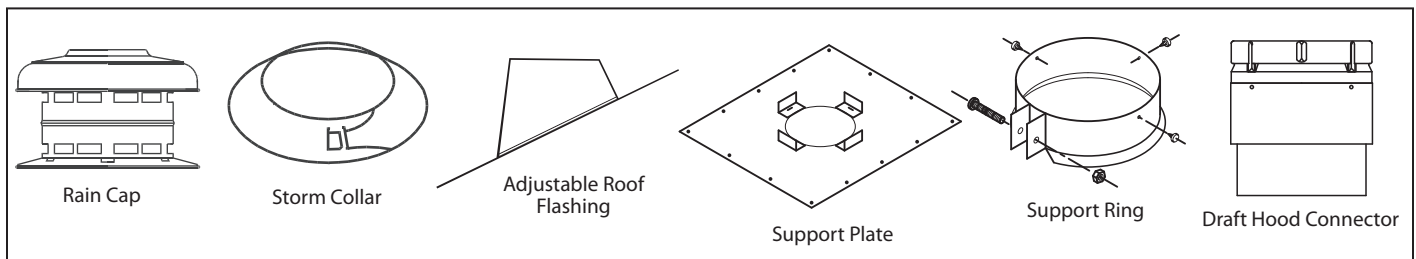
TYPE B GAS VENT KITS WITH DRAFT HOOD CONNECTOR

ITEM #	MODEL #	CTN/QTY	WT/100
200346	3GVK	1	500
200446	4GVK	1	600
210546	5GVK	1	700
210646	6GVK	1	800
220746	7GVK	1	900
220846	8GVK	1	1000



Kit includes:

- 1 – Rain Cap
- 1 – Storm Collar
- 1 – Adjustable Flashing
- 1 – Support Plate
- 1 – Support Ring
- 1 – Draft Hood Connector



We have custom capabilities to manufacture any sizes you may require. Contact factory for special sizes and configurations not listed.

– E.&O.E. – Subject to Change Without Notice – May Not Be Available At All Locations –



BUILDING PRODUCTS

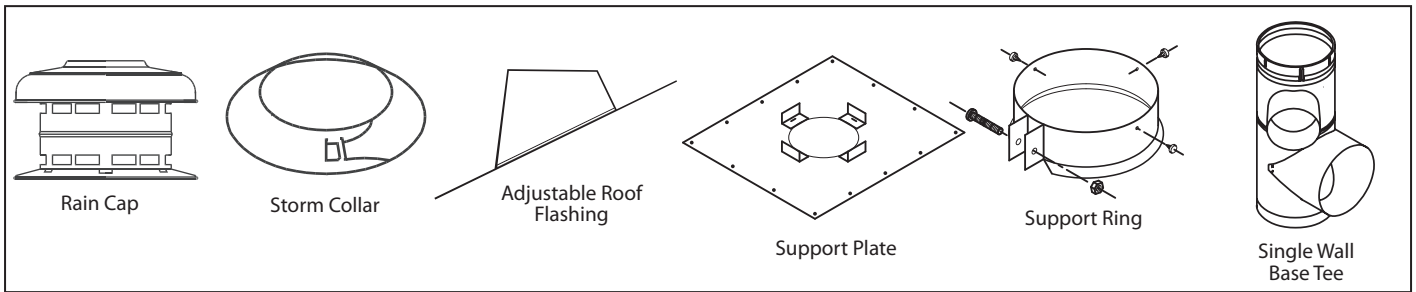
MODEL E/R TYPE B GAS VENT 3" - 8"

TYPE B GAS VENT KITS WITH SINGLE WALL BASE TEE

ITEM #	MODEL #	CTN/QTY	WT/100
200347	3GVK-T	1	570
200447	4GVK-T	1	640
210547	5GVK-T	1	770
210647	6GVK-T	1	860
220747	7GVK-T	1	980
220847	8GVK-T	1	1080

Kit includes:

- 1 – Rain Cap
- 1 – Storm Collar
- 1 – Adjustable Flashing
- 1 – Support Plate
- 1 – Support Ring
- 1 – Single Wall Base Tee

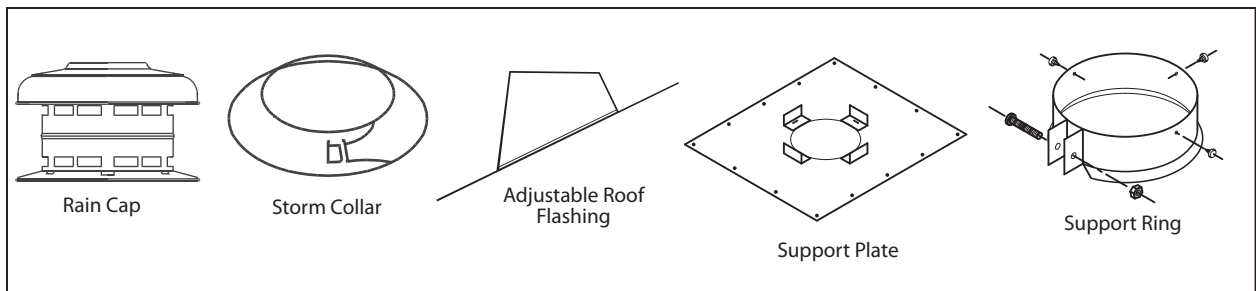
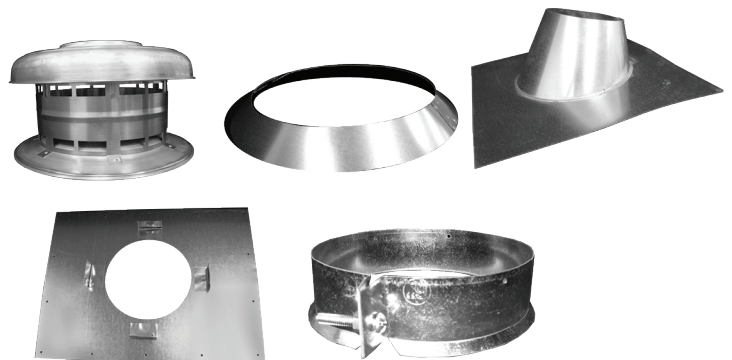


TYPE B GAS VENT KITS LESS DRAFT HOOD CONNECTOR

ITEM #	MODEL #	CTN/QTY	WT/100
200449	4GVK	1	490
210549	5GVK	1	530
210649	6GVK	1	605

Kit includes:

- 1 – Rain Cap
- 1 – Storm Collar
- 1 – Adjustable Flashing
- 1 – Support Plate
- 1 – Support Ring



We have custom capabilities to manufacture any sizes you may require. Contact factory for special sizes and configurations not listed.

– E.&O.E. – Subject to Change Without Notice – May Not Be Available At All Locations –



BUILDING PRODUCTS

MODEL E/R TYPE B GAS VENT 3" - 8"

WALL THIMBLES — ROUND PIPE

ITEM #	MODEL	SIZE (")	CTN/QTY	WT/100
614153	3RWT	3	12	133
614154	4RWT	4	12	133
614155	5RWT	5	12	150
614156	6RWT	6	12	167
614157	7RWT	7	*	200
614158	8RWT	8	*	200



*Product shipped individually.

TYPE B OVAL GAS VENT AND FITTINGS

4"

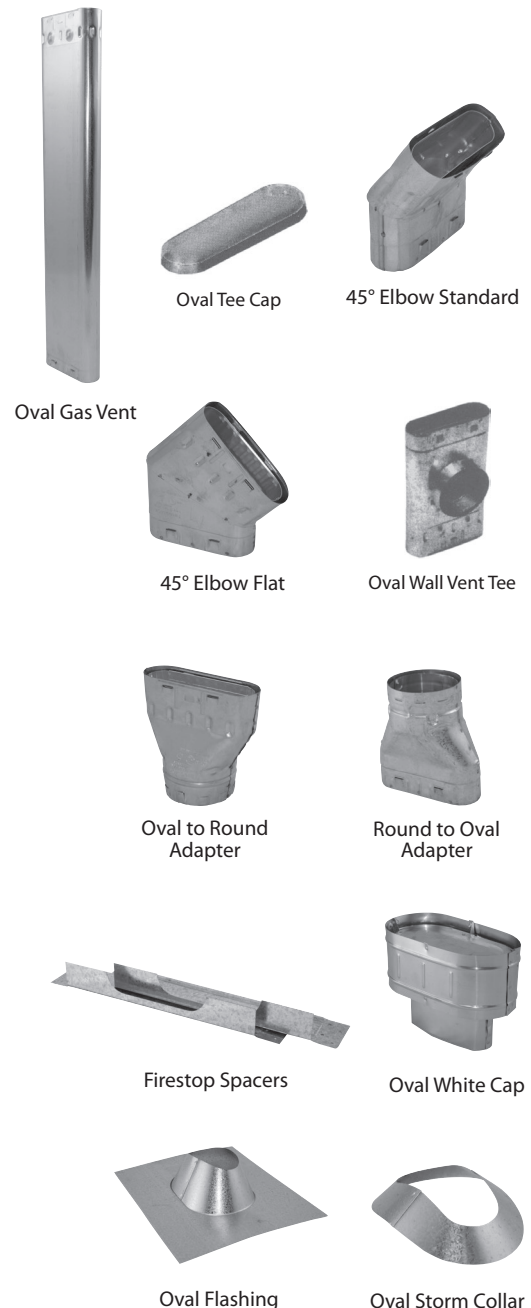
ITEM #	MODEL	DESCRIPTION	CTN/QTY	WT/100
614002	4OV5	4" x 5 ft. Oval Gas Vent	6	717
614004	4OV4	4" x 4 ft. Oval Gas Vent	6	600
614006	4OV3	4" x 3 ft. Oval Gas Vent	6	450
614008	4OV2	4" x 2 ft. Oval Gas Vent	6	300
614010	4OV18	4" x 18" Oval Gas Vent	6	233
614012	4OV12	4" x 12" Oval Gas Vent	6	150
614014	4OV6	4" x 6" Oval Gas Vent	6	83
614016	4OV12A	4" x 12" Oval Gas Vent Adj. Length	6	150
614018	4OVSL	4" x 45° Elbow – Standard	6	133
614020	4OVFL	4" x 45° Elbow – Flat	6	133
614036	4OVWVT	4" Wall Vent Tee	6	–
614022	4OV-RD	4" Oval to Round Adapter	6	100
614024	4RD-OV	4" Round to Oval Adapter	6	100
614031	4OVFS	4" Firestop Spacers 2" x 4"	25 pairs	148
614032	4OVFS6	4" Firestop Spacers 2" x 6"	*	–
614026	4OVAC	4" Oval White Cap	24	–
614030	4OVF	4" Oval Flashing	12	–
614028	4OVSC	4" Oval Storm Collar	24	–

*Product shipped individually.

5"

ITEM #	MODEL	DESCRIPTION	CTN/QTY	WT/100
614102	5OV5	5" x 5 ft. Oval Gas Vent	4	1025
614104	5OV4	5" x 4 ft. Oval Gas Vent	4	850
614106	5OV3	5" x 3 ft. Oval Gas Vent	6	616
614108	5OV2	5" x 2 ft. Oval Gas Vent	6	400
614110	5OV18	5" x 18" Oval Gas Vent	6	333
614112	5OV12	5" x 12" Oval Gas Vent	6	217
614114	5OV6	5" x 6" Oval Gas Vent	6	117
614116	5OV12A	5" x 12" Oval Gas Vent Adj. Length	6	217
614118	5OVSL	5" x 45° Elbow – Standard	6	117
614120	5OVFL	5" x 45° Elbow – Flat	6	167
614134	5OVT	5" Oval Wall Tee	6	–
614122	5OV-RD	5" Oval to Round Adapter	6	167
614124	5RD-OV	5" Round to Oval Adapter	6	167
614132	5OVFS6	5" Firestop Spacers 2" x 6"	*	–
614126	5OVAC	5" Oval White Cap	12	–
614130	5OVF	5" Oval Flashing	12	–
614128	5OVSC	5" Oval Storm Collar	*	–

*Product shipped individually.



– E.&O.E. – Subject to Change Without Notice – May Not Be Available At All Locations –

CEILING AND SIDEWALL DIFFUSERS

WG SERIES — ADJUST-A-VENT

Features:

- Dual flow: Air supply or exhaust
- Strong stainless steel grip clip, provides a snug fit
- Extra thick foam gasket, allows for tight seal on uneven surfaces
- Supplied lock and nut fine tunes air flow settings
- Extra long collar simplifies installation
- Made from high strength polymer resin
- WG401 vent is compatible with "squeeze elbow" accessory: EB4X90
- Easy to install and remove
- Very quiet during operation

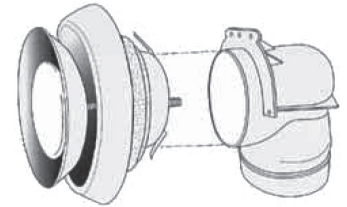
CA ITEM #	US ITEM #	MODEL	DESCRIPTION	SIZE (")	FREE AREA (SQ. IN.)	CTN/QTY
683104	683604	WG401	Short Base	4	5.5	25
683338	683838	WG401XB	Extended Base	4	–	25
683105	683605	WG501	Extended Base	5	9.9	25
683106	683606	WG601	Extended Base	6	11.4	25

COLOR: Snow White (01)

ACCESSORIES

CA ITEM #	US ITEM #	MODEL	DESCRIPTION	SIZE (")	CTN/QTY
683092	683592	EB4X90	Squeeze Elbow For WG401	4	25

COLOR: Black (11)



WG401

EB4X90

Installation using Primex's "Squeeze Elbow"

WGX SERIES — TRUE-FLOW VENT

Features:

- Dual Flow: Air supply or exhaust
- 5 sizes
- Increased air flow
- 4 Wing adjustment screw to set air flow
- Snap-on trim ring included
- Nearly "True Size" inner cavity
- WGX4S vent is compatible with Primex's "squeeze elbow" EB4X90
- Easy to install and remove
- Secure friction fit
- Added security of mounting screws through base flange
- Trim ring snaps into place over flange to hide mounting screws

CA ITEM #	US ITEM #	MODEL	DESCRIPTION	SIZE	FREE AREA (SQ. IN.)	CTN/QTY
683340	683840	WGX4	Adjustable Air Diffuser	4" dia.	10.5	25
683342	683842	WGX5	Adjustable Air Diffuser	5" dia.	16.9	25
683344	683844	WGX6	Adjustable Air Diffuser	6" dia.	25.1	25
683346	683846	WGX7	Adjustable Air Diffuser	7" dia.	35.5	15
683348	683848	WGX8	Adjustable Air Diffuser	8" dia.	45.5	15

COLOR: Snow White (01)





BUILDING PRODUCTS

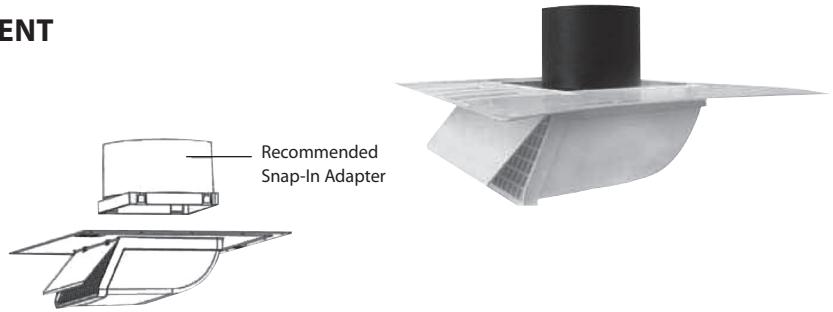
PRIMEX VENTING AND ACCESSORIES

SOFFIT VENTS

SV28 — SOFFIT INTAKE AND EXHAUST VENT

Features:

- Low profile one piece molded hood eliminates leaky joints and provides maximum water protection
- Optional screen and removable damper
- Available for intake or exhaust applications
- Snap-in adapters ensure a tight seal
- Quick and easy to install
- Made with UV protected polymer resin



Approximate Sizes:

Flange: 16-1/4" x 18-5/8"

Hood: 10-1/4" x 10-1/2" x 4-3/8"

CA ITEM #	US ITEM #	MODEL	DESCRIPTION	COLOR	FREE AREA (SQ. IN.)	CTN/QTY
683250	683750	SV2801	Soffit Vent	Snow White – 01	27.6	6
683251	683751	SV2823	Soffit Vent	Taupe – 23	27.6	6
683252	683752	SV2801NS	Soffit Vent	Snow White – 01	40.3	6
683253	683753	SV2823NS	Soffit Vent	Taupe – 23	40.3	6

NOTE: NS= No Bird Screen.

COLORS: Snow White (01), Taupe (23)

ACCESSORIES (SNAP-IN ADAPTER)

CA ITEM #	US ITEM #	MODEL	DESCRIPTION	FREE AREA (SQ. IN.)	CTN/QTY
683150	683650	RV28-4	Duct Adapter: 4"	12.6	30
683151	683651	RV28-5	Duct Adapter: 5"	19.6	30
683152	683652	RV28-6	Duct Adapter: 6"	27.6	25
683153	683653	RV28-7	Duct Adapter: 7"	27.6	25
683154	683654	RV28-8	Duct Adapter: 8"	27.6	18

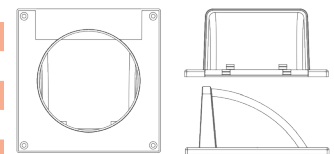
SV SERIES

Features:

- Low profile one piece design is less obtrusive than traditional vents
- For use in new or retrofit applications
- No need to penetrat the roof or walls
- No leaky seams on the vent hood
- Made from UV-stabilized polymer resin



CA ITEM #	US ITEM #	MODEL	DESCRIPTION	SIZE (")	COLOR	FREE AREA (SQ. IN.)	CTN/QTY
683127	683627	SV401	Soffit Vent with Damper	4" dia.	Snow White – 01	12.6	24
683146	683646	SV423	Soffit Vent with Damper	4" dia.	Taupe – 23	12.6	24
683128	683628	SV501	Soffit Vent with Damper	5" dia.	Snow White – 01	13.3	24
683129	683629	SV523	Soffit Vent with Damper	5" dia.	Taupe – 23	13.3	24
683180	683680	SV601	Soffit Vent with Damper	6" dia.	Snow White – 01	28.2	10
683181	683681	SV623	Soffit Vent with Damper	6" dia.	Taupe – 23	28.2	10



COLORS: Snow White (01), Taupe (23)

– E.&O.E. – Subject to Change Without Notice – May Not Be Available At All Locations –



BUILDING PRODUCTS

PRIMEX VENTING AND ACCESSORIES

SOFFIT VENTS *(cont'd)*

SV156 SERIES — SLAB DUCT SOFFIT VENT

Features:

- Molded one piece base
- Fits ECCODUCT™
- Removable damper for intake applications
- Manufactured to replace the standard metal discharge hoods currently available
- Low profile one piece molded hood eliminates leaky joints and maximizes water protection
- Made from UL listed VO polymer
- UV stabilized
- Hoods are easily cleaned or replaced

Approximate Sizes:

Flange: 6" × 15"
 Hood: 4-7/16" × 12-1/16"



CA ITEM #	US ITEM #	MODEL	DESCRIPTION	SIZE (")	FREE AREA (SQ. IN.)	CTN/QTY
683145	683645	SV156	Slab Duct Soffit Vent	4	27.8	24

COLORS: Snow White (01), Light Grey (31)

SV6 SERIES

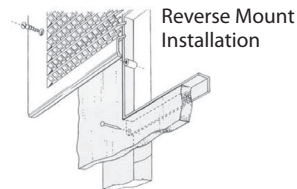
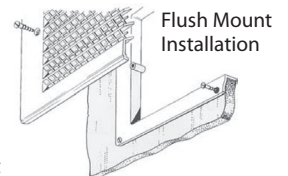
Features:

- Molded-in mesh screen
- Comes with 2 installation screws
- The SV6X9 may be installed with or without the access frame
- Made from UV stabilized polymer resin
- Easy to install



CA ITEM #	US ITEM #	MODEL	DESCRIPTION	SIZE (")	FREE AREA (SQ. IN.)	CTN/QTY
683121	683621	SV6X9-S	Rectangular Soffit Vent – Screen Vent	6 × 9	15.7	22
683122	683622	SV6X9-SF	Vent Kit: Screen and Access Frame	6 × 9	15.7	22

COLOR: Snow White (01)



– E.&O.E. – Subject to Change Without Notice – May Not Be Available At All Locations –



BUILDING PRODUCTS

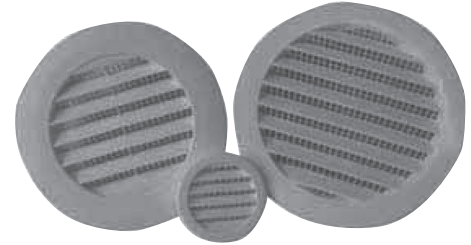
PRIMEX VENTING AND ACCESSORIES

SOFFIT VENTS (cont'd)

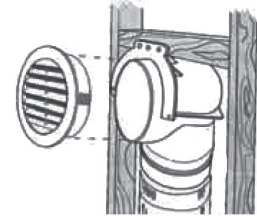
RDV SERIES

Features:

- Extra long collar for better hose or duct connection
- Molded-in mesh screen
- 4 available sizes
- Secure friction fit
- Made from UV stabilized polymer resin



CA ITEM #	US ITEM #	MODEL	DESCRIPTION	SIZE	FREE AREA (SQ. IN.)	CTN/QTY
683112	683612	RDV-2S	Round, Screened Soffit Vent	2" dia.	1.1	50
683114	683614	RDV-4S	Round, Screened Soffit Vent	4" dia.	4.0	70
683115	683615	RDV-5S	Round, Screened Soffit Vent	5" dia.	6.4	40
683116	683616	RDV-6S	Round, Screened Soffit Vent	6" dia.	10.3	30



4" Round Vent Installed with Primex's 'Squeeze Elbow' EB4X90

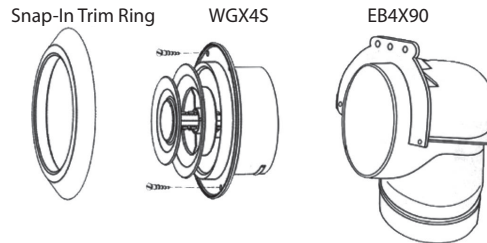
NOTE: RDV-4S can be installed with EB4X90 Squeeze Elbow.

COLOR: Snow White (01)

EB4X90 — 90° SQUEEZE ELBOW

Features:

- Impact resistant polymer resin. 4" x 90° plastic stack hood elbow
- Compatible with several 4" diameter Primex vents
- Designed to fit inside 2" x 4" walls
- Works well with WG4, WGX4S and RDV4
- Easy installation
- Quick rough-in



Installation using Primex's Squeeze Elbow



CA ITEM #	US ITEM #	MODEL	DESCRIPTION	DIA (")	CTN/QTY
683092	683592	EB4X90	Squeeze Elbow	4	25

COLOR: Black (11)

EB4X90 is compatible with Models listed below:

MODEL	DIAMETER (")	DESCRIPTION	CTN/QTY	FREE AREA
DV401	4	Dryer Vent	24	12.6
RDV4S	4	Round, Screened Soffit Vent	70	4.00
SV401	4	Soffit Vent	24	12.6
WG401	4	Air Diffuser	25	5.5
WGX4S	4	Adjust-A-Vent air diffuser with short base	25	10.5
WC401	4	Wall Cap	25	9.5

– E.&O.E. – Subject to Change Without Notice – May Not Be Available At All Locations –

ROOF VENTS

RVL28 SERIES / WC28 WALL CAP

Features:

- Enhances aesthetics with low profile that blends in with roof
- Keep inventories low with single hood size and separate 4 to 8 inch easy snap-in adapters
- Increases installation options because it can be used on steep slope roof (<60 degrees) and even as a wall cap (WC28)
- Eliminates leaky joints and maximizes water protection with one piece, molded hood
- Ensures watertight installation with over-sized flange
- Long lasting durability with UV protected, impact resistant polymer resin
- Simple intake/exhaust conversion via removable damper

Applications:

- Through-roof exhaust of dryers, bathroom and kitchen fans, stove vents
- Intake for furnaces, fresh air make-up, attic venting

Notes and Specs:

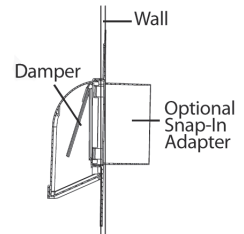
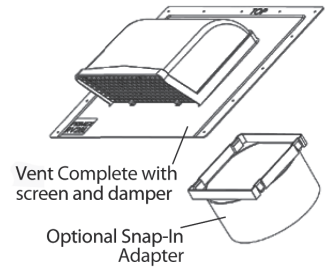
- For dryer applications Primex recommends "No bird screen (NS)" model
- For steep roof (<60 degrees) and vertical wall applications, order WC28 model
- Free Area = 27.8 sq. in. (179.4 square cm)
- Hood Size: 10-1/4" x 10-1/2" x 4-3/8"
- Flange Size: 16-1/4" x 18-5/8"
- Standard configuration of RVL28 and WC28 come with removable screen and damper
- RV28 adapters sold separately



RVL28 - Dark Grey



WC2801 - Snow White



WC28 - Wall Cap vent

CA ITEM #	US ITEM #	MODEL	DESCRIPTION	COLOR	FREE AREA (SQ. IN.)	CTN/QTY
683286	683786	RVL2825	Roof Mount: Intake/Exhaust Vent	Black – 25	27.8	6
683287	683787	RVL2828	Roof Mount: Intake/Exhaust Vent	Dark Grey – 28	27.8	6
683288	683788	RVL2868	Roof Mount: Intake/Exhaust Vent	Dark Brown – 68	27.8	6
683289	683789	RVL2828NS	Roof Mount: Intake Exhaust Vent	Dark Grey – 28	40.3	6
C683091	C683091	WC28	Wall Cap: Intake Exhaust Vent	–	27.8	6
C683091	C683091	WC28NS	Wall Cap: Intake Exhaust Vent	–	40.3	6

NOTE: NS = No Bird Screen.

COLORS: RVL28 – Black (25), Dark Brown (68), Light Grey (31), Dark Grey (28)
WC28 – Light Grey (31), Snow White (01), Tan (45), Taupe (23)

ACCESSORIES (SNAP-IN ADAPTER)

CA ITEM #	US ITEM #	MODEL	DESCRIPTION	DIA (")	FREE AREA	CTN/QTY
683150	683650	RV28-4	Snap-In Adapter	4	12.6 sq. in.	30
683151	683651	RV28-5	Snap-In Adapter	5	19.6 sq. in.	30
683152	683652	RV28-6	Snap-In Adapter	6	27.8 sq. in./28.3 N.S.	25
683153	683653	RV28-7	Snap-In Adapter	7	27.8 sq. in./38.5 N.S.	25
683154	683654	RV28-8	Snap-In Adapter	8	27.8 sq. in./40.3 N.S.	18



BUILDING PRODUCTS

PRIMEX VENTING AND ACCESSORIES

ROOF VENTS (cont'd)

RV20 SERIES — LOW PROFILE ROOF VENT

Features:

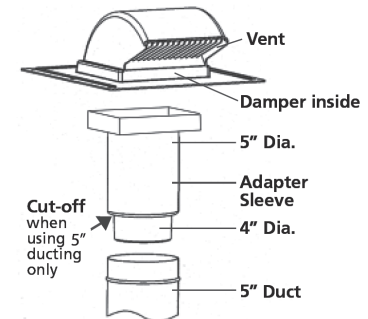
- Eliminates leaky joints and maximizes water protection with one piece molded hood
- Ensures watertight installation with over-sized flange
- Long lasting durability with UV protected, impact resistant polymer resin
- Compatible with 4 or 5 inch ducting with included RV45 easy snap-in adapter
- Simple intake/exhaust conversion via removable damper
- Quick and easy installation with installer-friendly packaging (i.e. vent/adaptor bagged together)

Applications:

- Through-roof exhaust of dryers, bathroom and kitchen fans, stove vents
- Intake for furnaces, fresh air make-up, attic venting

Notes and Specs:

- For dryer applications Primex recommends "No bird screen (NS)" model
- Free area = 20 sq. in. (129 square cm)
- Hood Size: 6.5" x 6.88" x 4.88"
- Standard configuration of RV20 Kit comes with screen, damper and RV45 Adapter



CA ITEM #	US ITEM #	MODEL	DESCRIPTION	COLOR	FREE AREA (SQ. IN.)	CTN/QTY
683167	683667	RV2025KIT	Roof Mount: Intake/Exhaust Vent	Black – 25	20.9	10
683168	683668	RV2028KIT	Roof Mount: Intake/Exhaust Vent	Dark Grey – 28	20.9	10
683169	683669	RV2031KIT	Roof Mount: Intake/Exhaust Vent	Light Grey – 31	20.9	10
683170	683670	RV2045KIT	Roof Mount: Intake/Exhaust Vent	Tan – 45	20.9	10
683171	683671	RV2068KIT	Roof Mount: Intake/Exhaust Vent	Dark Brown – 68	20.9	10
683172	683672	RV2025KITNS	Roof Mount: Intake/Exhaust Vent	Black – 25	21.4	10
683174	683674	RV2028KITNS	Roof Mount: Intake/Exhaust Vent	Dark Grey – 28	21.4	10
C683091	C683091	RV2031KITNS	Roof Mount: Intake/Exhaust Vent	Light Grey – 31	21.4	10
C683091	C683091	RV2045KITNS	Roof Mount: Intake/Exhaust Vent	Tan – 45	21.4	10
683173	683673	RV2068KITNS	Roof Mount: Intake/Exhaust Vent	Dark Brown – 68	21.4	10

NOTES: NS = No Bird Screen.

Flexible duct not included with kit.

COLORS: Black (25), Dark Brown (68), Dark Grey (28), Light Grey (31), Tan (45)

– E.&O.E. – Subject to Change Without Notice – May Not Be Available At All Locations –

ROOF VENTS *(cont'd)*

RV28 SERIES — GOOSE NECK ROOF VENT

Features:

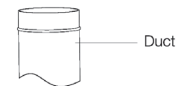
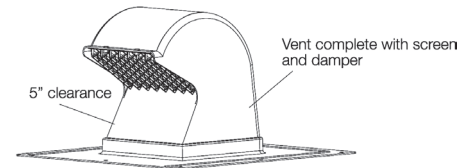
- Provides all-weather ventilation with 5" of additional height for snow clearance
- Maximize inventory turns with single hood size and separate 4 to 8 inch easy snap-in adapters
- Eliminates leaky joints and maximizes water protection with one piece, molded hood
- Ensures watertight installation with over-sized flange
- Long lasting durability with UV protected, impact resistant polymer resin
- Simple intake/exhaust conversion via removable damper

Applications:

- Through-roof exhaust of dryers, bathroom and kitchen fans, stove vents
- Intake for furnaces, fresh air make-up, attic venting

Notes and Specs:

- For dryer applications Primex recommends "No bird screen (NS)" model
- Free Area = 26.5 sq. in. (171 square cm)
- Hood Size: 7.5" x 7.25" x 9.38"
- Standard configuration of RV28 comes with removable screen and damper
- RV28 adapters sold separately



CA ITEM #	US ITEM #	MODEL	DESCRIPTION	COLOR	FREE AREA (SQ. IN.)	CTN/QTY
683140	683640	RV2825	Exhaust Vent with Screen	Black – 25	26.5	5
683143	683643	RV2828	Exhaust Vent with Screen	Dark Grey – 28	26.5	5
683142	683642	RV2831	Exhaust Vent with Screen	Light Grey – 31	26.5	5
683144	683644	RV2868	Exhaust Vent with Screen	Dark Brown – 68	26.5	5

COLORS: Black (25), Dark Brown (68), Dark Grey (28), Light Grey (31), Tan (45)

ACCESSORIES (SNAP-IN ADAPTER)

CA ITEM #	US ITEM #	MODEL	DESCRIPTION	DIA (")	FREE AREA	CTN/QTY
683150	683650	RV28-4	Snap-In Adapter	4	12.6 sq. in.	30
683151	683651	RV28-5	Snap-In Adapter	5	19.6 sq. in.	30
683152	683652	RV28-6	Snap-In Adapter	6	26.5 sq. in./28.3 N.S.	25
683153	683653	RV28-7	Snap-In Adapter	7	26.5 sq. in./38.5 N.S.	25
683154	683654	RV28-8	Snap-In Adapter	8	26.5 sq. in./40.3 N.S.	18

– E.&O.E. – Subject to Change Without Notice – May Not Be Available At All Locations –



BUILDING PRODUCTS

PRIMEX VENTING AND ACCESSORIES

WALL VENTS — EXTERIOR

WC SERIES — INTAKE AND EXHAUST VENTS

Features:

- Compatible with rain screen applications via extended base that compensates for cavity between wall and cladding
- Eliminates leaky joints and maximizes water protection with one piece molded hood and built-in drip edge
- Integrity of the “Building Envelope” is maintained via removable hood that makes cleaning or replacement simple
- Long lasting durability with UV protected, impact resistant, polymer resin
- Ensures watertight installation with over-sized flange

Applications:

- Through-wall exhaust of dryers, bathroom and kitchen fans, stove vents
- Intake for furnaces, fresh air make-up

Notes and Specs:

- For dryer applications Primex recommends “No bird screen (NS)” model
- Removable damper makes conversion of intake/exhaust simple



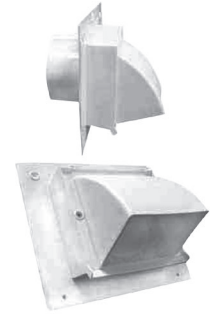
WC631 - Light Grey



WC631 - Side View



WC6 - Installed



WC4XXNS

CA ITEM #	US ITEM #	MODEL	COLLAR SIZE (")	DUCT DIA SIZE (")	COLOR	FREE AREA (SQ. IN.)	CTN/QTY
683094	683594	WC401	4	4	Snow White – 01	9.5	25
683093	683593	WC401NS	4	4	Snow White – 01	12.6	25
683133	683633	WC423	4	4	Taupe – 23	9.5	25
683157	683657	WC423NS	4	4	Taupe – 23	12.6	25
683109	683609	WC425	4	4	Black – 25	9.5	25
683155	683655	WC425NS	4	4	Black – 25	12.6	25
683126	683626	WC428	4	4	Dark Grey – 28	9.5	25
683095	683595	WC431	4	4	Light Grey – 31	9.5	25
683131	683631	WC431NS	4	4	Light Grey – 31	12.6	25
683096	683596	WC445	4	4	Tan – 45	9.5	25
683156	683656	WC445NS	4	4	Tan – 45	12.6	25
683161	683661	WC468	4	4	Dark Brown – 68	9.5	25
683097	683597	WC501	5	5	Snow White – 01	19.6	10
683103	683603	WC501NS	5	5	Snow White – 01	19.6	10
683134	683634	WC523	5	5	Taupe – 23	19.6	10
683160	683660	WC523NS	5	5	Taupe – 23	19.6	10
683110	683610	WC525	5	5	Black – 25	19.6	10
683135	683635	WC525NS	5	5	Black – 25	19.6	10
683139	683639	WC528	5	5	Dark Grey – 28	19.6	10
683098	683598	WC531	5	5	Light Grey – 31	19.6	10
683159	683659	WC531NS	5	5	Light Grey – 31	19.6	10
683099	683599	WC545	5	5	Tan – 45	19.6	10
683158	683658	WC545NS	5	5	Tan – 45	19.6	10
683132	683632	WC568/WC568NS	5	5	Dark Brown – 68	19.6	10
683100	683600	WC601	6	6	Snow White – 01	28.3	10
683107	683607	WC601NS	6	6	Snow White – 01	28.3	10
683136	683636	WC623	6	6	Taupe – 23	28.3	10
683147	683647	WC623NS	6	6	Taupe – 23	28.3	10

NOTES: All vents come standard with a coarse bird screen.
NS = No Screen

(cont'd on next page)

COLORS: Snow White (01), Light Grey (31), Tan (45), Taupe (23), Dark Brown (68), Black (25), Dark Grey (28)

– E.&O.E. – Subject to Change Without Notice – May Not Be Available At All Locations –



BUILDING PRODUCTS

PRIMEX VENTING AND ACCESSORIES

WALL VENTS — EXTERIOR *(cont'd)*

WC SERIES — INTAKE AND EXHAUST VENTS *(cont'd)*

CA ITEM #	US ITEM #	MODEL	COLLAR SIZE (")	DUCT DIA SIZE (")	COLOR	FREE AREA (SQ. IN.)	CTN/QTY
683111	683611	WC625	6	6	Black – 25	28.3	10
683141	683641	WC625NS	6	6	Black – 25	28.3	10
683120	683620	WC628	6	6	Dark Grey – 28	28.3	10
683149	683649	WC628NS	6	6	Dark Grey – 28	28.3	10
683101	683601	WC631/WC631NS	6	6	Light Grey – 31	28.3	10
683102	683602	WC645/WC645NS	6	6	Tan – 45	28.3	10
683162	683662	WC668	6	6	Dark Brown – 68	28.3	10
683117	683617	WC701/WC701NS	7	7	Snow White – 01	38.5	2
683137	683637	WC723/WC723NS	7	7	Taupe – 23	38.5	2
683118	683618	WC731/WC731NS	7	7	Light Grey – 31	38.5	2
683119	683619	WC745/WC745NS	7	7	Tan – 45	38.5	2
683238	683738	WC7P	7	7	Primed	38.5	–
683123	683623	WC801/WC801NS	8	8	Snow White – 01	46.8	2
683138	683638	WC823/WC823NS	8	8	Taupe – 23	46.8	2
683108	683608	WC825/WC825NS	8	8	Black – 25	46.8	–
683124	683624	WC831/WC831NS	8	8	Light Grey – 23	46.8	2
683125	683625	WC845/WC845NS	8	8	Tan – 45	46.8	2

NOTE: All vents come standard with a coarse bird screen.
NS = No Screen

COLORS: Snow White (01), Light Grey (31), Tan (45), Taupe (23), Dark Brown (68), Black (25), Dark Grey (28)

– E.&O.E. – Subject to Change Without Notice – May Not Be Available At All Locations –



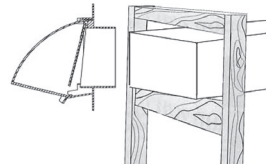
BUILDING PRODUCTS

PRIMEX VENTING AND ACCESSORIES

RANGE HOOD VENTS

Features:

- UV stabilized, polymer resin
- Cut away screen option
- Removable damper
- Adaptable for intake or exhaust applications
- Built in drip edge
- Ideal for use in rain screen systems
- Will not dent or rust



WC310
Installed Into Ducting



3" x 10" WALL CAP VENT — Use with 3" x 10" Register Boot or Slab Duct

CA ITEM #	US ITEM #	MODEL	COLOR	FREE AREA (SQ. IN.)	CTN/QTY
683193	683693	WC31001	Snow White – 01	30.2	18
683194	683694	WC31025	Black – 25	30.2	18
683195	683695	WC31031	Light Grey – 31	30.2	18
683196	683696	WC31045	Tan – 45	30.2	18
683197	683697	WC31068	Dark Brown – 68	30.2	18

COLORS: Snow White (01), Light Grey (31), Tan (45), Dark Brown (68), Taupe (23), Black (25)

3-1/4" x 10" RANGE HOOD VENT — Use With 3-1/4" x 10" Kitchen Transition Boot or Slab Duct

CA ITEM #	US ITEM #	MODEL	COLOR	FREE AREA (SQ. IN.)	CTN/QTY
683188	683688	WC31001K	Snow White – 01	30.2	18
683189	683689	WC31025K	Black – 25	30.2	18
683190	683690	WC31031K	Light Grey – 31	30.2	18
683191	683691	WC31045K	Tan – 45	30.2	18
683192	683692	WC31068K	Dark Brown – 68	30.2	18

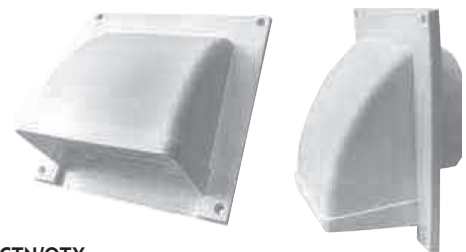
COLORS: Snow White (01), Light Grey (31), Tan (45), Dark Brown (68), Taupe (23), Black (25)

EXHAUST / DRYER VENTS

DV4 SERIES — DRYER / EXHAUST VENT (NO SCREEN)

Features:

- Low profile one piece design
- Accommodates 4" ducting
- No leaky seams on the vent hood
- Made from UV stabilized polymer resin



CA ITEM #	US ITEM #	MODEL	DESCRIPTION	SIZE (")	COLOR	CTN/QTY
683240	683740	DV401	Dryer/Exhaust Vent	4	Snow White – 01	24
683241	683741	DV423	Dryer/Exhaust Vent	4	Taupe – 23	24

COLORS: Snow White (01), Taupe (23)

– E.&O.E. – Subject to Change Without Notice – May Not Be Available At All Locations –



BUILDING PRODUCTS

PRIMEX VENTING AND ACCESSORIES

INTAKE AND EXHAUST VENTS

WCD AND WCT SERIES — DOUBLE AND TRIPLE INTAKE AND EXHAUST VENTS

Features:

- Available with screen or full opening
- Vents can be ordered with or without screen
- Quick and easy to install
- Adaptable for intake or exhaust applications
- Wall cap vents include a drip edge on a flanged base to help guard against rain
- The hood is removable for cleaning or replacement and for line servicing without compromising the “Building Envelope”
- Assembled base
- Removable damper for intake or exhaust applications
- Made with UV protected polymer resin
- Highly resistant to mechanical impact



CA ITEM #	US ITEM #	MODEL	DESCRIPTION	DIA (")	COLOR	FREE AREA (SQ. IN.)	CTN/QTY
683270	683770	WCD501	Double Wall Cap	5	Snow White – 01	2 × 19.6	6
683273	683773	WCD523	Double Wall Cap	5	Taupe – 23	2 × 19.6	6
683271	683771	WCD531	Double Wall Cap	5	Light Grey – 31	2 × 19.6	6
683272	683772	WCD545	Double Wall Cap	5	Tan – 45	2 × 19.6	6
683274	683774	WCD601	Double Wall Cap	6	Snow White – 01	3 × 25	6
683277	683777	WCD623	Double Wall Cap	6	Taupe – 23	3 × 25	6
683275	683775	WCD631	Double Wall Cap	6	Light Grey – 31	3 × 25	6
683276	683776	WCD645	Double Wall Cap	6	Tan – 45	3 × 25	6
683278	683778	WCT501	Triple Wall Cap	5	Snow White – 01	2 × 19.6	1
683281	683781	WCT523	Triple Wall Cap	5	Taupe – 23	2 × 19.6	1
683279	683779	WCT531	Triple Wall Cap	5	Light Grey – 31	2 × 19.6	1
683280	683780	WCT545	Triple Wall Cap	5	Tan – 45	2 × 19.6	1
683282	683782	WCT601	Triple Wall Cap	6	Snow White – 01	3 × 25	1
683285	683785	WCT623	Triple Wall Cap	6	Taupe – 23	3 × 25	1
683283	683783	WCT631	Triple Wall Cap	6	Light Grey – 31	3 × 25	1
683284	683784	WCT645	Triple Wall Cap	6	Tan – 45	3 × 25	1

COLORS: Black (25), Light Grey (31), Snow White (01), Tan (45), Taupe (23)

– E.&O.E. – Subject to Change Without Notice – May Not Be Available At All Locations –



BUILDING PRODUCTS

PRIMEX VENTING AND ACCESSORIES

INTAKE AND EXHAUST VENTS *(cont'd)*

WCL SERIES — LOW PROFILE INTAKE AND EXHAUST VENT

Features:

- Attractive low profile design
- Fits 7" or 8" diameter ducts
- Bird Screen
- Quick and easy to install
- Adaptable for intake or exhaust applications
- Incorporated drip edge for superior rain water management
- Removable hood for line servicing without disturbing "Building Envelope"
- Molded one piece base
- Removable dampers for intake or exhaust applications
- Made with UV proteted polymer resin
- Highly resistant to mechanical impact



Low Profile Cap

CA ITEM #	US ITEM #	MODEL	DESCRIPTION	DIA (")	COLOR	FREE AREA (SQ. IN.)	CTN/QTY
683260	683760	WCL701	Low Profile Wall Cap	7	Snow White - 01	38.5	4
683263	683763	WCL723	Low Profile Wall Cap	7	Taupe - 23	38.5	4
683261	683761	WCL731	Low Profile Wall Cap	7	Light Grey - 31	38.5	4
683262	683762	WCL745	Low Profile Wall Cap	7	Tan - 45	38.5	4
683264	683764	WCL801	Low Profile Wall Cap	8	Snow White - 01	50.3	4
683267	683767	WCL823	Low Profile Wall Cap	8	Taupe - 23	50.3	4
683265	683765	WCL831	Low Profile Wall Cap	8	Light Grey - 31	50.3	4
683266	683766	WCL845	Low Profile Wall Cap	8	Tan - 45	50.3	4

COLORS: Snow White (01), Light Grey (31), Tan (45), Taupe (23), Black (25)

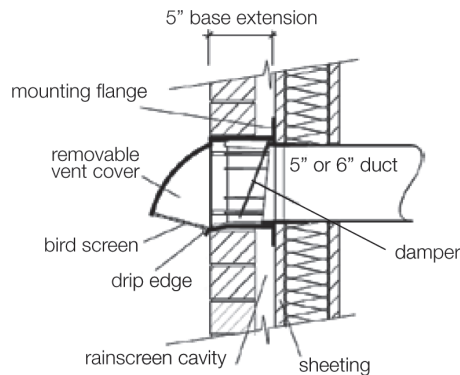
- E.&O.E. - Subject to Change Without Notice - May Not Be Available At All Locations -

EXTENDED WALL CAPS

WCX — DOME COVER

Features:

- Molded one piece base
- Incorporated drip edge for superior rain water management
- Suitable for brick and masonry walls
- Built-in bird screen
- Removable hood for line servicing without disturbing "Building Envelope"
- Removable damper for intake applications
- Available in 5" and 6" models
- Easy to install
- Made with UV protected polymer resin
- Highly resistant to mechanical impact



CA ITEM #	US ITEM #	MODEL	DESCRIPTION	SIZE (")	COLOR	FREE AREA (SQ. IN.)	CTN/QTY
683244	683744	WCX501	Extended Wall Cap	5	Snow White – 01	19.6	6
683249	683749	WCX528	Extended Wall Cap	5	Dark Grey – 28	19.6	6
683245	683745	WCX568	Extended Wall Cap	5	Dark Brown – 68	19.6	6
683246	683746	WCX523	Extended Wall Cap	5	Taupe – 23	19.6	6
683247	683747	WCX531	Extended Wall Cap	5	Light Grey – 31	19.6	6
683248	683748	WCX545	Extended Wall Cap	5	Tan – 45	19.6	6
683254	683754	WCX601	Extended Wall Cap	6	Snow White – 01	28.3	6
683259	683759	WCX628	Extended Wall Cap	6	Dark Grey – 28	28.3	6
683255	683755	WCX668	Extended Wall Cap	6	Dark Brown – 68	28.3	6
683256	683756	WCX623	Extended Wall Cap	6	Taupe – 23	28.3	6
683257	683757	WCX631	Extended Wall Cap	6	Light Grey – 31	28.3	6
683258	683758	WCX645	Extended Wall Cap	6	Tan – 45	28.3	6

COLORS: Dark Brown (68), Light Grey (31), Snow White (01), Tan (45), Taupe (23), Dark Grey (28)

WCXF — FLAT COVER

Features:

- Molded one piece base
- Incorporated drip edge for superior rain water management
- Suitable for brick and masonry walls
- Flat screen for flush mount applications
- Built-in bird screen
- Removable screen for line servicing without disturbing "Building Envelope"
- Removable damper for intake applications
- Available in 5" and 6" models
- Made with UV protected polymer resin
- Highly resistant to mechanical impact
- Easy to install



CA ITEM #	US ITEM #	MODEL	DESCRIPTION	SIZE (")	COLOR	FREE AREA (SQ. IN.)	CTN/QTY
683290	683790	WCXF501	Extended Wall Cap	5	Snow White – 01	19.6	9
683291	683791	WCXF568	Extended Wall Cap	5	Dark Brown – 68	19.6	9
683292	683792	WCXF523	Extended Wall Cap	5	Taupe – 23	19.6	9
683293	683793	WCXF531	Extended Wall Cap	5	Light Grey – 31	19.6	9
683294	683794	WCXF545	Extended Wall Cap	5	Tan – 45	19.6	9
683295	683795	WCXF601	Extended Wall Cap	6	Snow White – 01	28.3	9
683296	683796	WCXF668	Extended Wall Cap	6	Dark Brown – 48	28.3	9
683297	683797	WCXF623	Extended Wall Cap	6	Taupe – 23	28.3	9
683298	683798	WCXF631	Extended Wall Cap	6	Light Grey – 31	28.3	9
683299	683799	WCXF645	Extended Wall Cap	6	Tan – 45	28.3	9

COLORS: Dark Brown (68), Light Grey (31), Snow White (01), Tan (45), Taupe (23)

– E.&O.E. – Subject to Change Without Notice – May Not Be Available At All Locations –



BUILDING PRODUCTS

PRIMEX VENTING AND ACCESSORIES

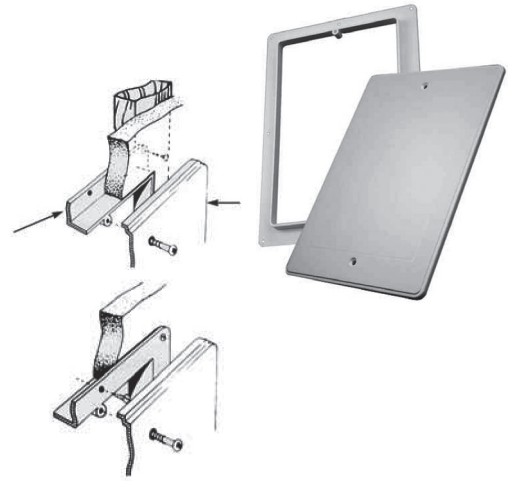
ACCESS PANELS

Features:

- Reversible frame
- 6" x 9" access opening
- Comes with 2 installation screws
- Low profile design. Ample room to work in
- Easy installation
- Made from high strength, polymer resin

CA ITEM #	US ITEM #	MODEL	DESCRIPTION	SIZE (")	CTN/QTY
683130	683630	AP6X9SW	Access Panel Kit Includes cover and frame	6 x 9	25
C683091	C683091	AP6X9	Panel Cover Only Frame not included	6 x 9	25

COLOR: Snow White (01)



Typical Installation

TRIM PLATES — 501 SERIES

Features:

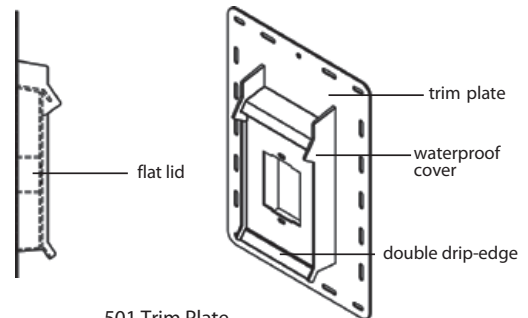
- Rainscreen compatible, double drip-edge finishing plates for electrical, plumbing and custom applications
- Excellent for door bells, HVAC pipes, electrical outlets, water pipes
- Eliminates leaky joints and maximizes water protection with one-piece mold and built-in drip edges
- Integrity of the building envelope is maintained with seamless mold
- Long lasting durability with UV-protected, impact resistant, polymer resin
- Reduces chance of injury with no sharp corners or metal edges that can cut or scrape
- Three versions – 501B (blank, custom fit)
- 501 Series meets stringent requirements of the Alberta Building code that pertains to the "trimming out" of building envelope penetrations
- Saves time without having to form drip edge in the field

CA ITEM #	US ITEM #	MODEL	DESCRIPTION	SIZE (")	CTN/QTY
683320	683820	501B	Outdoor Bells/Unfinished Outlet	8.5 x 12 x 1.25	20

COLOR: Snow White (01)



501B



501 Trim Plate

-E.&O.E.- Subject to Change Without Notice - May Not Be Available At All Locations -



www.eccomfg.com

Langley Distribution

19860 Fraser Highway
Langley, British Columbia
Canada V3A 4C9

Phone: 604-530-4151
Toll Free: 1-877-955-4805
Fax: 604-533-9335

Calgary Distribution

21 – 11150 38th Street, S.E.
Calgary, Alberta
Canada T2C 2Z6

Phone: 403-720-0895
Toll Free: 1-877-955-4815
Fax: 403-720-0897

Kent Distribution

20001 87th Ave. S, Bldg E
Kent, Washington
USA 98031

Phone: 253-872-3721
Toll Free: 1-800-207-6859
Fax: 253-872-3724