



**Ballast®**  
66" x 36" shower base w/ center drain  
**K-1938**

**Features**

- Low-threshold design for easy entry and exit.
- Single threshold for alcove installation with integral tile-in flange.
- Durable acrylic with resin concrete core construction.
- Center drain.
- Allows for quick and easy mortar-less installation.

**Recommended Products/Accessories**

- K-9132 Shower Drain
- K-23726 Drain treatment
- K-23732 Tub & shower cleaner



**Codes/Standards**

- CSA B45.5/IAPMO Z124
- ASTM E162
- ASTM E662


**KOHLER® Plastic Baths and Receptors Lifetime Limited Warranty**

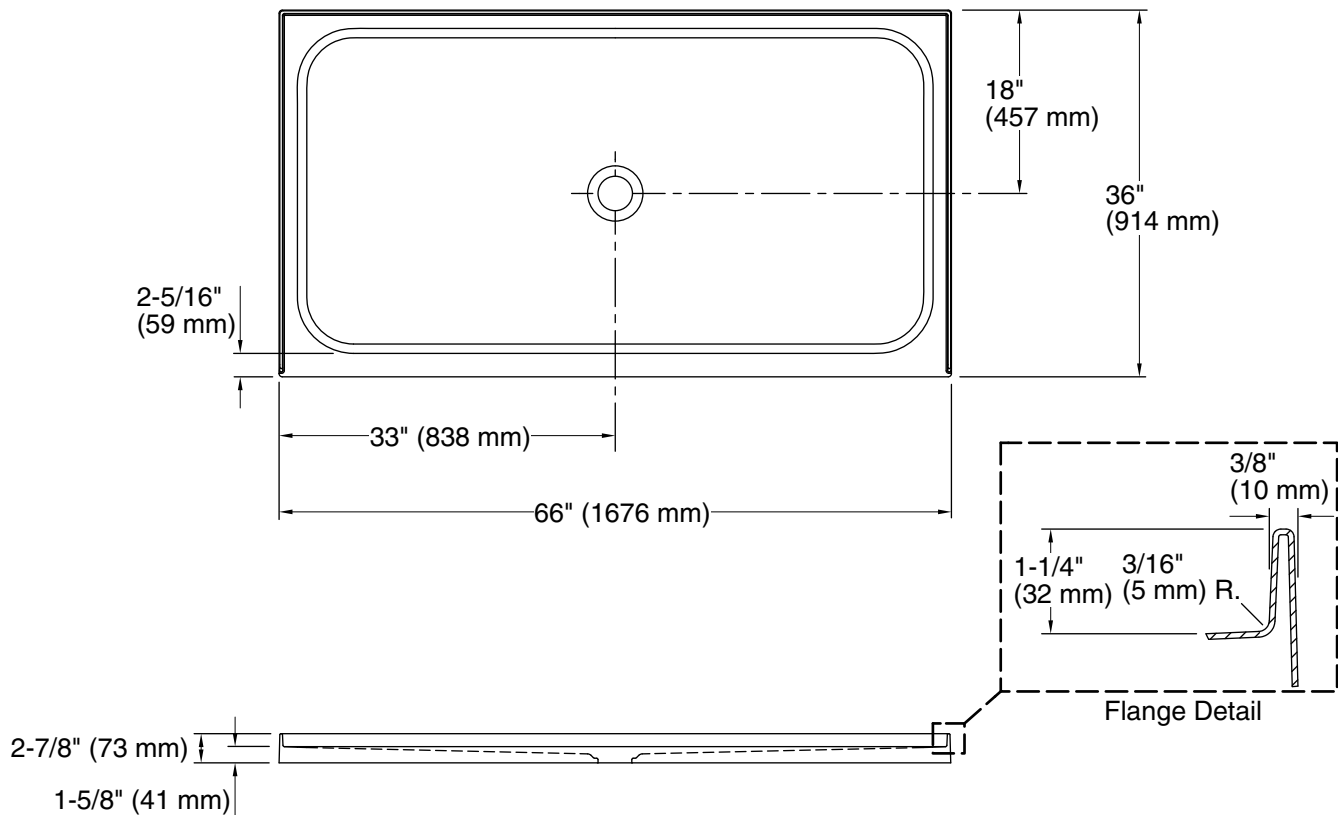
See website for detailed warranty information.

**Available Colors/Finishes**

*Color tiles intended for reference only.*

**Color Code Description**

	0	White
---	---	-------



### Technical Information

All product dimensions are nominal.

Installation: Three-wall alcove  
 Drain location: Center  
 Weight: 131 lbs (59.4 kg)

### Notes

Measure your actual product for rough-in details.

Install this product according to the installation instructions.

**CAUTION:** Risk of property damage and personal injury. Using this product without a shower door may cause water damage and may create a wet and potentially dangerous environment. Install a shower door with this product.

A shower door with a bottom track is required for this receptor. Kohler Co. shall not be responsible for problems encountered due to the installation and use of other manufacturer's shower doors.