

SPECIFICATION AND INSTALLATION GUIDE

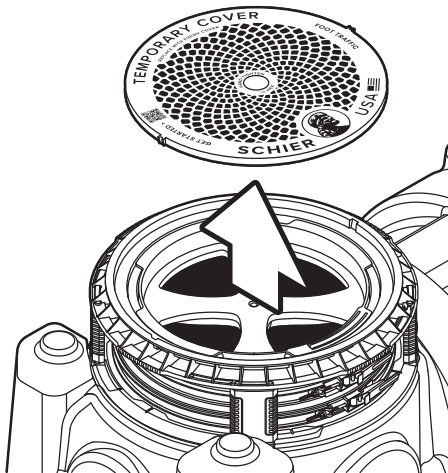
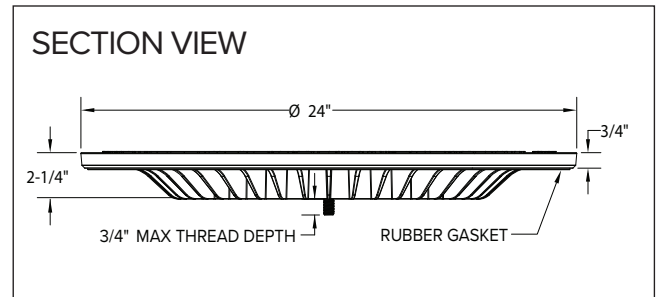


Failure to follow this guidance will void your warranty

P24-GI Pedestrian rated 24" bolted polypropylene cover

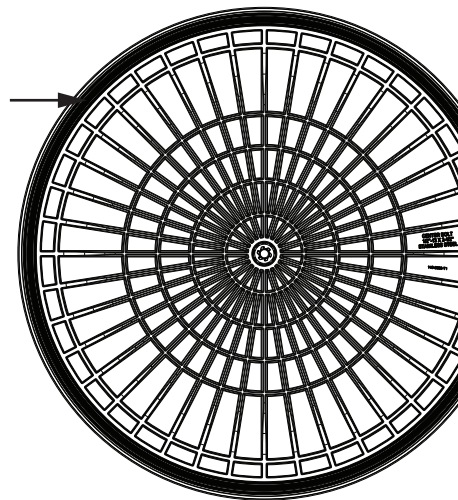
For use with grease interceptors models GB-50, GB-75, GB-250, GB-500, GB-1000 and GB-1500; solids interceptors models SI-50, SI-75, SI-250 and SI-500; inspection port models SV24 and SV24-O.

Unit weight: 11 lbs.



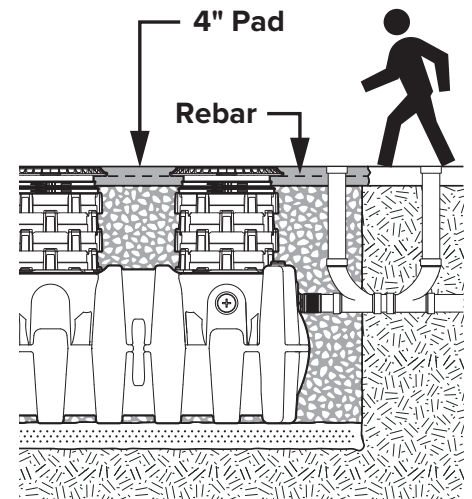
Replace temporary cover

Base tank models ship from the factory with temporary (jobsite only) cover(s) effective July 14, 2025. The P24-GI cover is sold separately from the base model (grease interceptor, solids interceptor or inspection port) and shall be applied by contractor during finish installation.



Gasket

The P24-GI includes a gasket on the bottom side that ensures a gas/water tight seal.



Buried installation

Choose P24-GI for above grade or buried indoor / outdoor installations for cover load ratings up to 2,000 pounds.



SCHIER

MODEL NUMBER:

P24-GI

DESCRIPTION: Cover, 24in pedestrian rated, grease interceptor system

PART #: 8045-000-01

DATE: 07/07/2025

REV:

ECO: