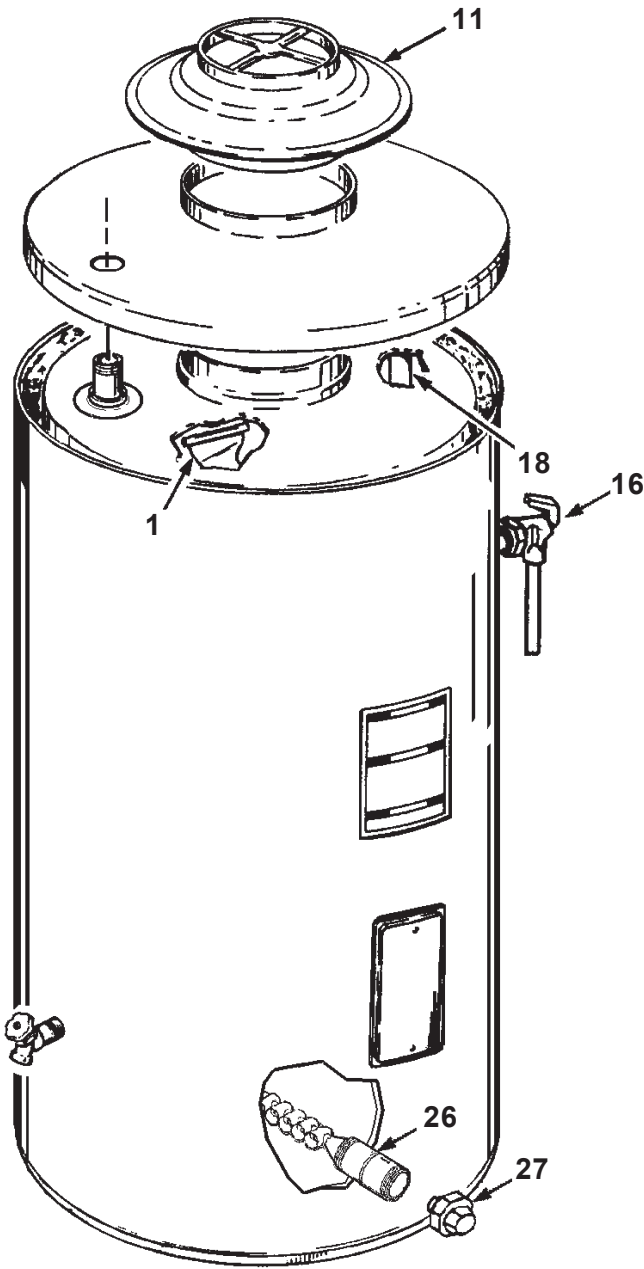
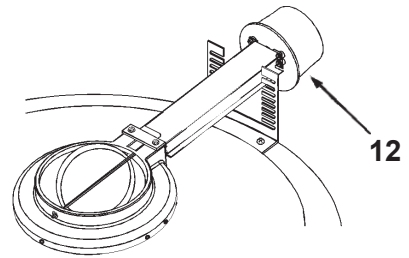


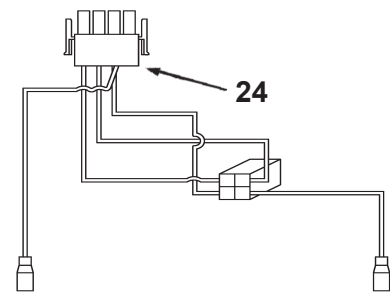
COMMERCIAL TANK TYPE WATER HEATER
REPLACEMENT PARTS LIST
 MODELS BTR(C) 120 THRU 400A:
 STANDARD AND ASME (A)
 SERIES 118, 119



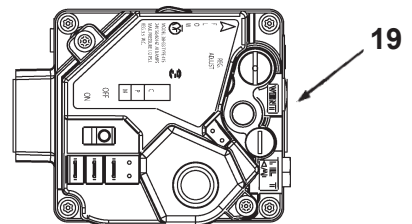
Damper Drive Assembly



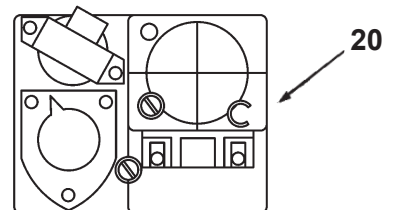
Harness - Control

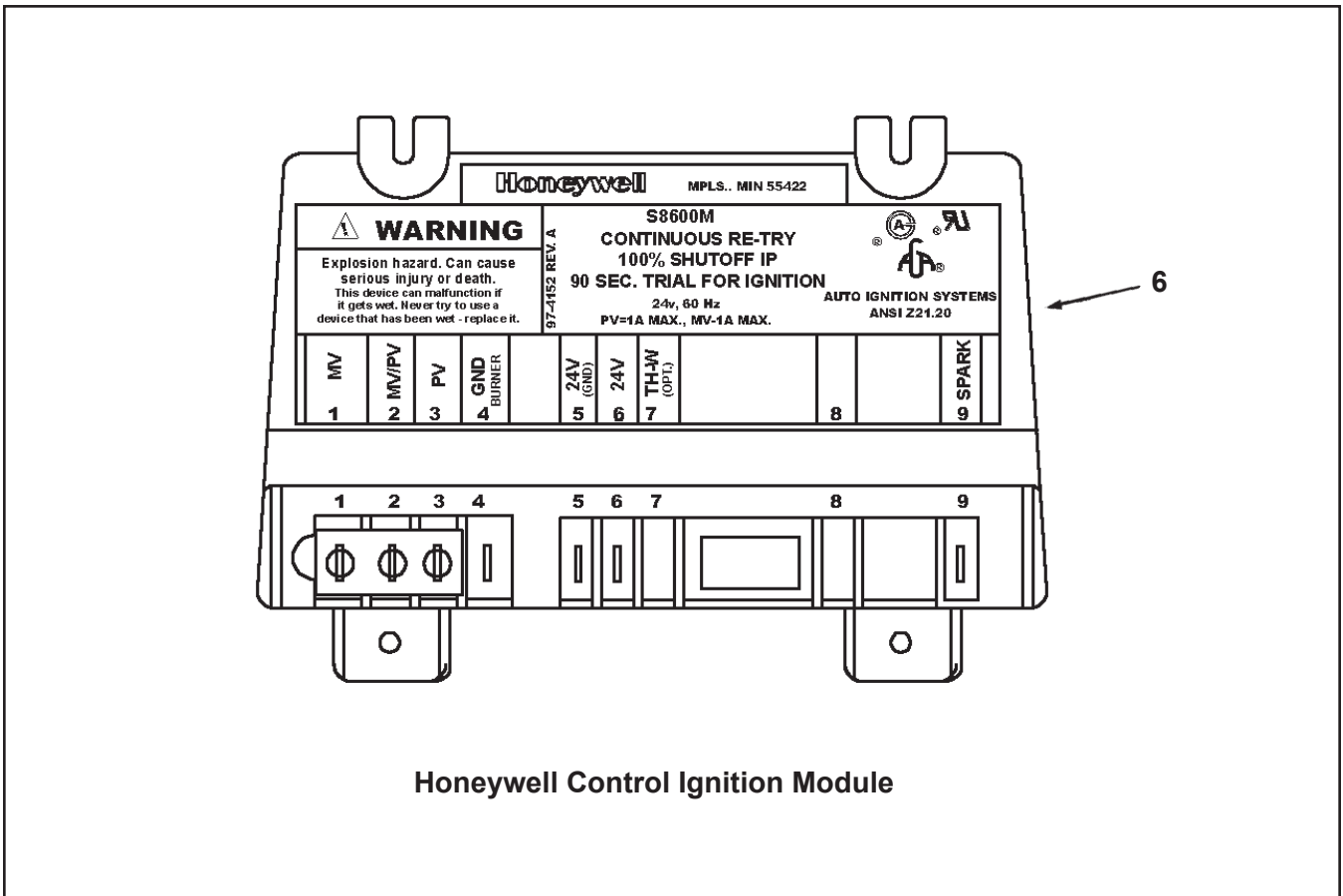
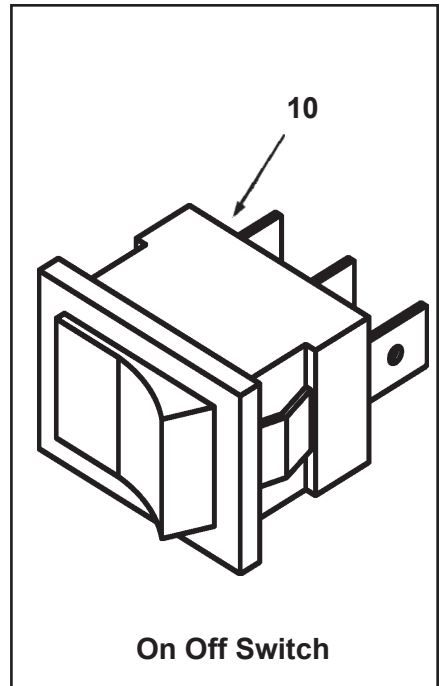
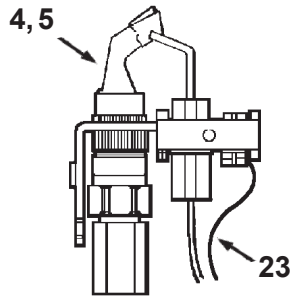
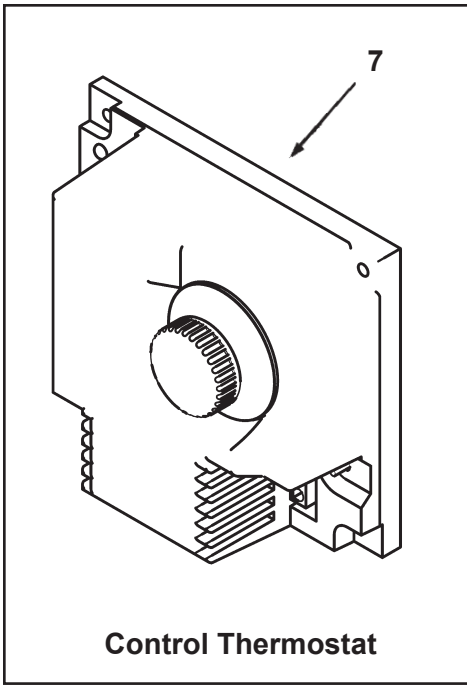


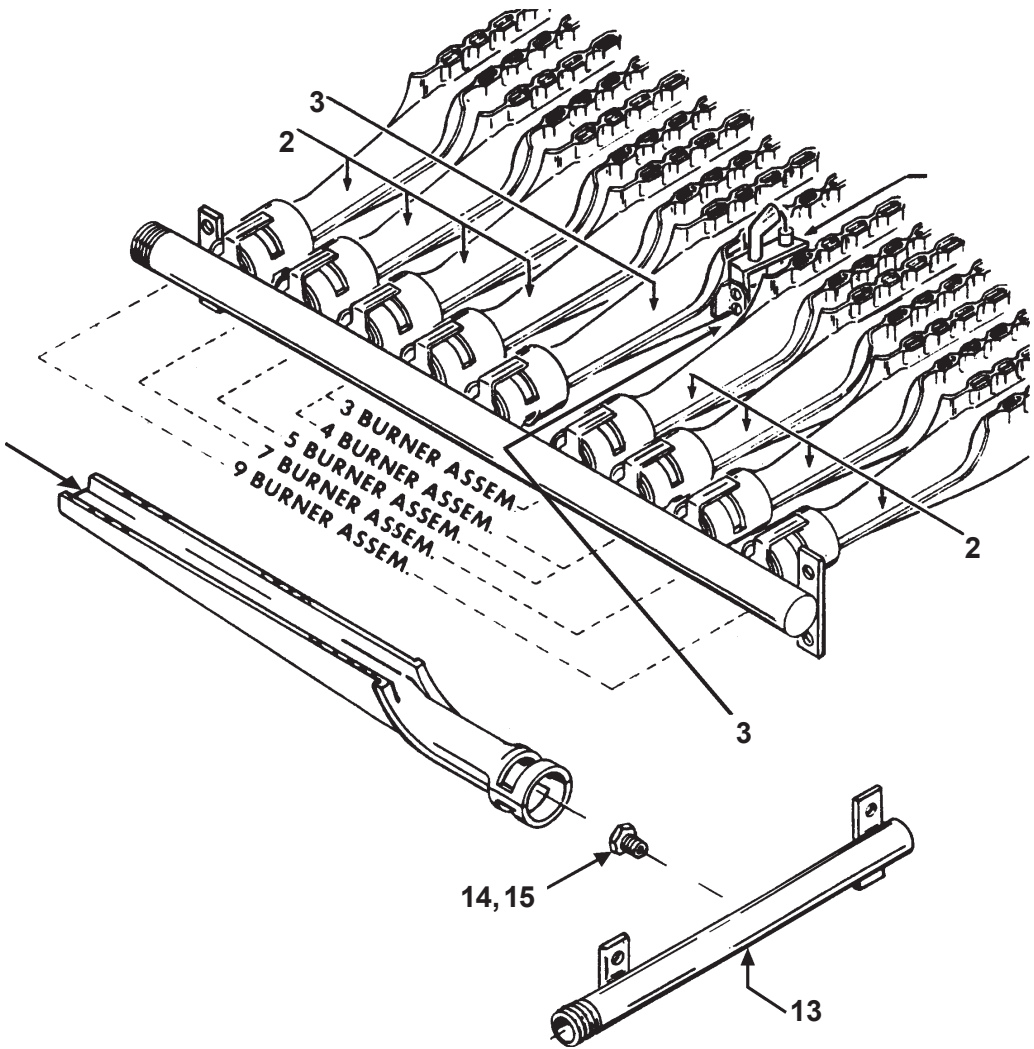
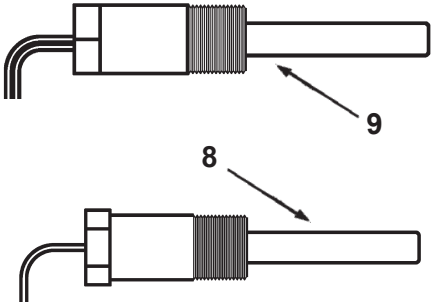
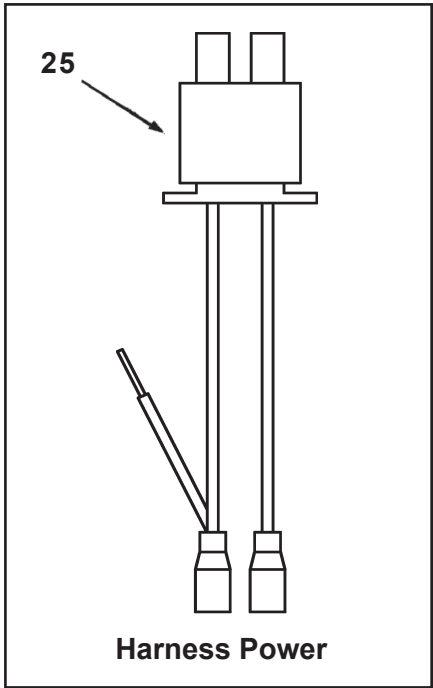
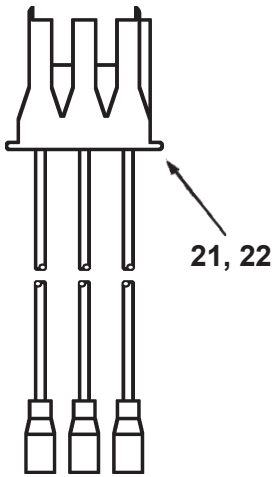
Gas Valve - Natural



Gas Valve - LP







ITEM	PARTS DESCRIPTION	BTR 120	BTR 154	BTR 180	BTR 197	BTR 198
1.....	Flue Baffle.....	9005288205	9005284205	9005823205	9005289205	9005289205
2.....	Main Burner.....	9005889205	9005889205	9005889205	9005889205	9005889205
3.....	Main Burner w/Pilot Bracket.....	9005291205	9005291205	9005291205	9005291205	9005291205
4.....	Pilot Burner, Natural.....	9004541215	9004541215	9004541215	9004541215	9004541215
5.....	Pilot Burner, LP.....	9004542215	9004542215	9004542215	9004542215	9004542215
6.....	Control, Ignition Module.....	9004544205	9004544205	9004544205	9004544205	9004544205
7.....	Control Thermostat.....	9004570205	9004570205	9004570205	9004570205	9004570205
8.....	Lower Probe.....	9006048205	9006048205	9006048205	9006048205	9006048205
9.....	Upper Probe.....	9006047205	9006047205	9006047205	9006047205	9006047205
10.....	On/Off Switch.....	9005929215	9005929215	9005929215	9005929215	9005929215
11.....	Draft Hood.....	9006045205	9006061205	9005934205	9005934205	9005934205
12.....	Damper Drive Assembly.....	9005994105	9005994105	9005994105	9005994105	9005994105
13.....	Manifold.....	9006049205	9006049205	9006062205	9006062205	9006062205
14.....	Main Burner Orifice - Natural.....	076243-032	076243-132	9006070215	076243-032	076243-032
15.....	Main Burner Orifice - LP.....	9005896215	9006072215	9006075215	9005896215	9005896215
16.....	T&P Relief Valve.....	9005899205	9005899205	9005899205	9005899205	9005899205
17.....	Pilot Tubing.....	9003925115	9003925115	9003925115	9003925115	9003925115
18.....	Inlet Tube.....	9006046205	9006044205	9006046205	9006044205	9006044205
19.....	Gas Valve - Natural.....	9006055205	9006055205	9006055205	9006055205	9006055205
20.....	Gas Valve - LP.....	9006059205	9006059205	9006059205	9006059205	9006059205
21.....	Harness-Gas Valve Natural.....	9006056215	9006056215	9006056215	9006056215	9006056215
22.....	Harness - Gas Valve LP.....	9006067215	9006067215	9006067215	9006067215	9006067215
23.....	Ground Wire.....	9004991215	9004991215	9004991215	9004991215	9004991215
24.....	Harness - Control.....	9006057215	9006057215	9006057215	9006057215	9006057215
25.....	Harness - Power.....	9006058215	9006058215	9006058215	9006058215	9006058215
26.....	The Eliminator.....	9006051205	9006051205	9006050205	9006050205	9006050205
27.....	Galvanized Pipe Union, 1-1/2".....	9006053205	9006053205	9006053205	9006053205	9006053205

ITEM	PARTS DESCRIPTION	BTRC 120	BTRC 154	BTRC 180	BTRC 197
1.....	Flue Baffle.....	9005288205	9005284205	9006077205	9005289205
2.....	Main Burner.....	9005889205	9005889205	9005889205	9005889205
3.....	Main Burner w/Pilot Bracket.....	9005291205	9005291205	9005291205	9005291205
4.....	Pilot Burner, Natural.....	9004541215	9004541215	9004541215	9004541215
5.....	Pilot Burner, LP.....	9004542215	9004542215	9004542215	9004542215
6.....	Control, Ignition Module.....	9004544205	9004544205	9004544205	9004544205
7.....	Control Thermostat.....	9004570205	9004570205	9004570205	9004570205
8.....	Lower Probe.....	9006048205	9006048205	9006048205	9006048205
9.....	Upper Probe.....	9006047205	9006047205	9006047205	9006047205
10.....	On/Off Switch.....	9005929215	9005929215	9005929215	9005929215
11.....	Draft Hood.....	9006045205	9006061205	9006061205	9006061205
12.....	Damper Drive Assembly.....	9005994105	9005994105	9005994105	9005994105
13.....	Manifold.....	9006049205	9006049205	9006062205	9006062205
14.....	Main Burner Orifice - Natural.....	076243-032	076243-132	9006070215	076243-032
15.....	Main Burner Orifice - LP.....	9005896215	9006072215	9006075215	9005896215
16.....	T&P Relief Valve.....	9005899205	9005899205	9005899205	9005899205
17.....	Pilot Tubing.....	9003925115	9003925115	9003925115	9003925115
18.....	Inlet Tube.....	9006046205	9006044205	9006046205	9006044205
19.....	Gas Valve - Natural.....	9006055205	9006055205	9006055205	9006055205
20.....	Gas Valve - LP.....	9006059205	9006059205	9006059205	9006059205
21.....	Harness-Gas Valve Natural.....	9006056215	9006056215	9006056215	9006056215
22.....	Harness - Gas Valve LP.....	9006067215	9006067215	9006067215	9006067215
23.....	Ground Wire.....	9004991215	9004991215	9004991215	9004991215
24.....	Harness - Control.....	9006057215	9006057215	9006057215	9006057215
25.....	Harness - Power.....	9006058215	9006058215	9006051215	9006051215
26.....	The Eliminator.....	9006051205	9006051205	9006050205	9006050205
27.....	Galvanized Pipe Union, 1-1/2".....	9006053205	9006053205	9006053205	9006053205

ITEM	PARTS DESCRIPTION	BTR 199	BTR 200/A	BTR 250/A	BTR 251/A
1.....	Flue Baffle.....	9005823205	9005293205	9005288205	9005288205
2.....	Main Burner.....	9005889205	9005889205	9005889205	9005889205
3.....	Main Burner w/Pilot Bracket.....	9005291205	9005291205	9005291205	9005291205
4.....	Pilot Burner, Natural.....	9004541215	9004541215	9004541215	9004541215
5.....	Pilot Burner, LP.....	9004542215	9004542215	9004542215	9004542215
6.....	Control, Ignition Module.....	9004544205	9004544205	9004544205	9004544205
7.....	Control Thermostat.....	9004570205	9004570205	9004570205	9004570205
8.....	Lower Probe.....	9006048205	9006048205	9006048205	9006048205
9.....	Upper Probe.....	9006047205	9006047205	9006047205	9006047205
10.....	On/OffSwitch.....	9005929215	9005929215	9005929215	9005929215
11.....	Drafthood.....	9005934205	9005934205	9005926205	9005926205
12.....	Damper Drive Assembly.....	9005994105	9005994105	9005995105	9005995105
13.....	Manifold.....	9006062205	9006062205	9006062205	9006063205
14.....	Main Burner Orifice - Natural.....	076243-032	076243-032	076243-030	9006069215
15.....	Main Burner Orifice - LP.....	9005896215	9005896215	9006072215	9006075215
16.....	T&P Relief Valve.....	9005899205	9005899205	9005903205	9005903205
17.....	Pilot Tubing.....	9003925115	9003925115	9003925115	9003925115
18.....	Inlet Tube.....	9006046205	9006046205	9006044205	N/A
19.....	Gas Valve - Natural.....	9006055205	9006055205	9006055205	9006055205
20.....	Gas Valve - LP.....	9006059205	9006059205	9006059205	9006059205
21.....	Harness-Gas Valve Natural.....	9006056215	9006056215	9006056215	9006056215
22.....	Harness - Gas Valve LP.....	9006067215	9006067215	9006067215	9006067215
23.....	Ground Wire.....	9004991215	9004991215	9004991215	9004991215
24.....	Harness - Control.....	9006057215	9006057215	9006057215	9006057215
25.....	Harness - Power.....	9006058215	9006058215	9006058215	9006058215
26.....	The Eliminator.....	9006050205	9006054205	9006054205	9006052205
27.....	Galvanized Pipe Union, 1-1/2".....	9006053205	9006065205	9006065205	9006053205

ITEM	PARTS DESCRIPTION	BTRC 199	BTRC 200/A	BTRC 250/A	BTRC 251/A
1.....	Flue Baffle.....	9006077205	9005293205	9005288205	9005288205
2.....	Main Burner.....	9005889205	9005889205	9005889205	9005889205
3.....	Main Burner w/Pilot Bracket.....	9005291205	9005291205	9005291205	9005291205
4.....	Pilot Burner, Natural.....	9004541215	9004541215	9004541215	9004541215
5.....	Pilot Burner, LP.....	9004542215	9004542215	9004542215	9004542215
6.....	Control, Ignition Module.....	9004544205	9004544205	9004544205	9004544205
7.....	Control Thermostat.....	9004570205	9004570205	9004570205	9004570205
8.....	Lower Probe.....	9006048205	9006048205	9006048205	9006048205
9.....	Upper Probe.....	9006047205	9006047205	9006047205	9006047205
10.....	On/OffSwitch.....	9005929215	9005929215	9005929215	9005929215
11.....	Drafthood.....	9006061205	9005934205	9005926205	9005926205
12.....	Damper Drive Assembly.....	9005994105	9005994105	9005995105	9005995105
13.....	Manifold.....	9006062205	9006062205	9006062205	9006063205
14.....	Main Burner Orifice - Natural.....	076243-032	076243-032	076243-030	9006069215
15.....	Main Burner Orifice - LP.....	9005896215	9005896215	9006072215	9006075215
16.....	T&P Relief Valve.....	9005899205	9005899205	9005903205	9005903205
17.....	Pilot Tubing.....	9003925115	9003925115	9003925115	9003925115
18.....	Inlet Tube.....	9006046205	9006046205	9006044205	N/A
19.....	Gas Valve - Natural.....	9006055205	9006055205	9006055205	9006055205
20.....	Gas Valve - LP.....	9006059205	9006059205	9006059205	9006059205
21.....	Harness-Gas ValveNatural.....	9006056215	9006056215	9006056215	9006056215
22.....	Harness - Gas Valve LP.....	9006067215	9006067215	9006067215	9006067215
23.....	Ground Wire.....	9004991215	9004991215	9004991215	9004991215
24.....	Harness - Control.....	9006057215	9006057215	9006057215	9006057215
25.....	Harness - Power.....	9006058215	9006058215	9006058215	9006058215
26.....	The Eliminator.....	9006051205	9006054205	9006054205	9006052205
27.....	Galvanized Pipe Union, 1-1/2".....	9006053205	9006065205	9006065205	9006053205

ITEM	PARTS DESCRIPTION	BTR 275/A	BTR 305/A	BTR 365/A	BTR 400/A
1.....	Flue Baffle.....	9005152205	9005288205	9005289205	9005294205
2.....	Main Burner.....	9005889205	9005912205	9005889205	9005912205
3.....	Main Burner w/Pilot Bracket.....	9005291205	9005291205	9005291205	9005291205
4.....	Pilot Burner, Natural.....	9004541215	9004541215	9004541215	9004541215
5.....	Pilot Burner, LP.....	9004542215	9004542215	9004542215	9004542215
6.....	Control, Ignition Module.....	9004544205	9004544205	9004544205	9004544205
7.....	Control Thermostat.....	9004570205	9004570205	9004570205	9004570205
8.....	Lower Probe.....	9006048205	9006048205	9006048205	9006048205
9.....	Upper Probe.....	9006047205	9006047205	9006047205	9006047205
10.....	On/OffSwitch.....	9005929215	9005929215	9005929215	9005929215
11.....	Drafthood.....	9005926205	9005926205	9005926205	9005926205
12.....	Damper Drive Assembly.....	9005995105	9005995105	9005995105	9005995105
13.....	Manifold.....	9006062205	9006063205	9006064205	9006064205
14.....	Main Burner Orifice - Natural.....	9006068215	076243-031	076243-032	076243-031
15.....	Main Burner Orifice - LP.....	9006071215	076243-047	9005896215	9006074215
16.....	T&P Relief Valve.....	9005903205	9005903205	9005903205	9005903205
17.....	Pilot Tubing.....	9003925115	9003925115	9003925115	9003925115
18.....	Inlet Tube.....	9006044205	N/A	9006044205	9006044205
19.....	Gas Valve - Natural.....	9006055205	9006066205	9006066205	9006066205
20.....	Gas Valve - LP.....	9006059205	9004528205	9004528205	9004528205
21.....	Harness-Gas Valve Natural.....	9006056215	9006056215	9006056215	9006056215
22.....	Harness - Gas Valve LP.....	9006067215	9006067215	9006067215	9006067215
23.....	Ground Wire.....	9004991215	9004991215	9004991215	9004991215
24.....	Harness - Control.....	9006057215	9006057215	9006057215	9006057215
25.....	Harness - Power.....	9006058215	9006058215	9006058215	9006058215
26.....	The Eliminator.....	9006054205	9006052205	9006050205	9006054205
27.....	Galvanized Pipe Union, 1-1/2".....	9006065205	9006053205	9006053205	9006065205

ITEM	PARTS DESCRIPTION	BTRC 275/A	BTRC 305/C	BTRC 365/A	BTRC 400/A
1.....	Flue Baffle.....	9005152205	9005288205	9005152205	9005294205
2.....	Main Burner.....	9005889205	9005912205	9005889205	9005912205
3.....	Main Burner w/Pilot Bracket.....	9005291205	9005291205	9005291205	9005291205
4.....	Pilot Burner, Natural.....	9004541215	9004541215	9004541215	9004541215
5.....	Pilot Burner, LP.....	9004542215	9004542215	9004542215	9004542215
6.....	Control, Ignition Module.....	9004544205	9004544205	9004544205	9004544205
7.....	Control Thermostat.....	9004570205	9004570205	9004570205	9004570205
8.....	Lower Probe.....	9006048205	9006048205	9006048205	9006048205
9.....	Upper Probe.....	9006047205	9006047205	9006047205	9006047205
10.....	On/OffSwitch.....	9005929215	9005929215	9005929215	9005929215
11.....	Drafthood.....	9005926205	9005926205	9005926205	9005926205
12.....	Damper Drive Assembly.....	9005995105	9005995105	9005995105	9005995105
13.....	Manifold.....	9006062205	9006063205	9006064205	9006064205
14.....	Main Burner Orifice - Natural.....	9006068215	076243-031	076243-032	076243-031
15.....	Main Burner Orifice - LP.....	9006071215	076243-047	9005896215	9006074215
16.....	T&P Relief Valve.....	9005903205	9005903205	9005903205	9005903205
17.....	Pilot Tubing.....	9003925115	9003925115	9003925115	9003925115
18.....	Inlet Tube.....	9006044205	N/A	N/A	9006044205
19.....	Gas Valve - Natural.....	9006055205	9006066205	9006066205	9006066205
20.....	Gas Valve - LP.....	9006059205	9004528205	9004528205	9004528205
21.....	Harness-Gas ValveNatural.....	9006056215	9006056215	9006056215	9006056215
22.....	Harness - Gas Valve LP.....	9006067215	9004528215	9004528215	9004528215
23.....	Ground Wire.....	9004991215	9004991215	9004991215	9004991215
24.....	Harness - Control.....	9006057215	9006057215	9006057215	9006057215
25.....	Harness - Power.....	9006058215	9006058215	9006058215	9006058215
26.....	The Eliminator.....	9006054205	9006052205	9006052205	9006054205
27.....	Galvanized Pipe Union, 1-1/2".....	9006065205	9006053205	9006053205	9006065205

NOTES



A.O. Smith Water Heater Parts Fulfillment

125 Southeast Parkway
Franklin, TN 37068
1-800-433-2545
www.hotwater.com