



## HI-FLOW PRESSURE BALANCE CONCEALED BATH MIXER WITHOUT DIVERTER

ROHL Shower

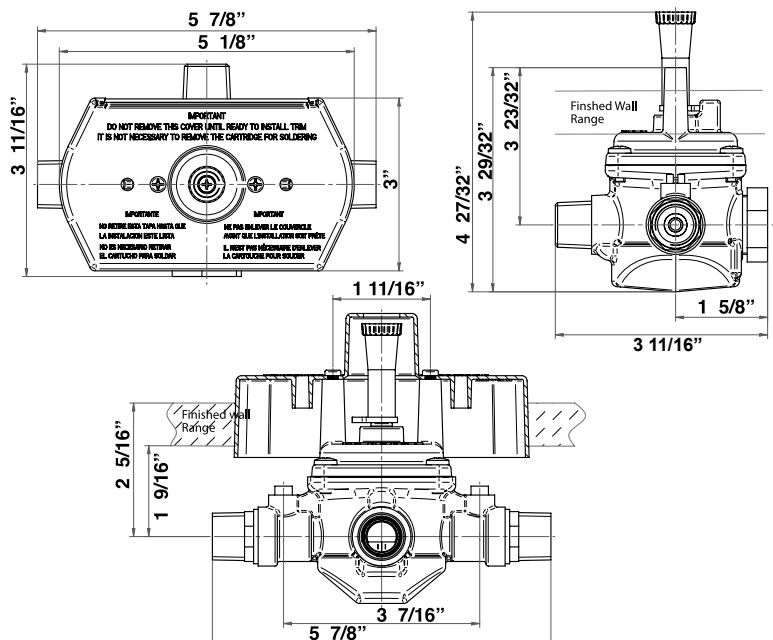
### RMV-1

### FEATURES

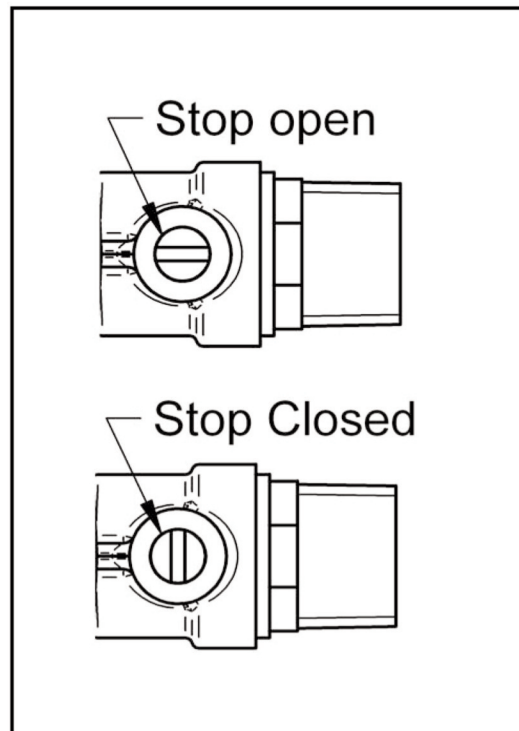
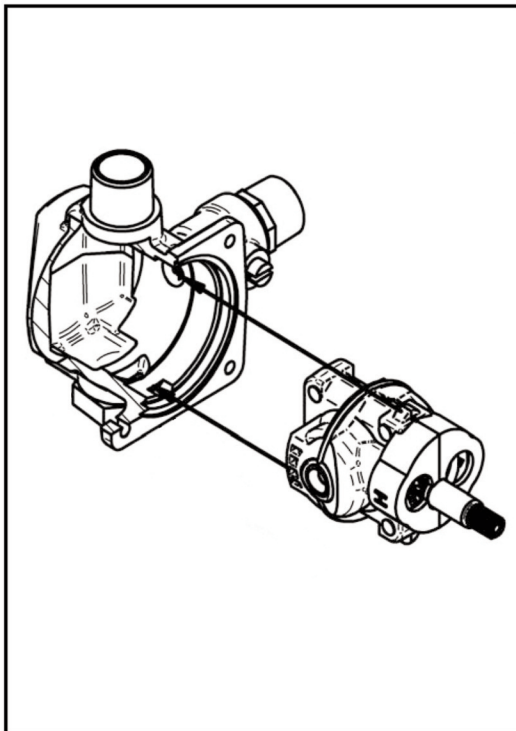
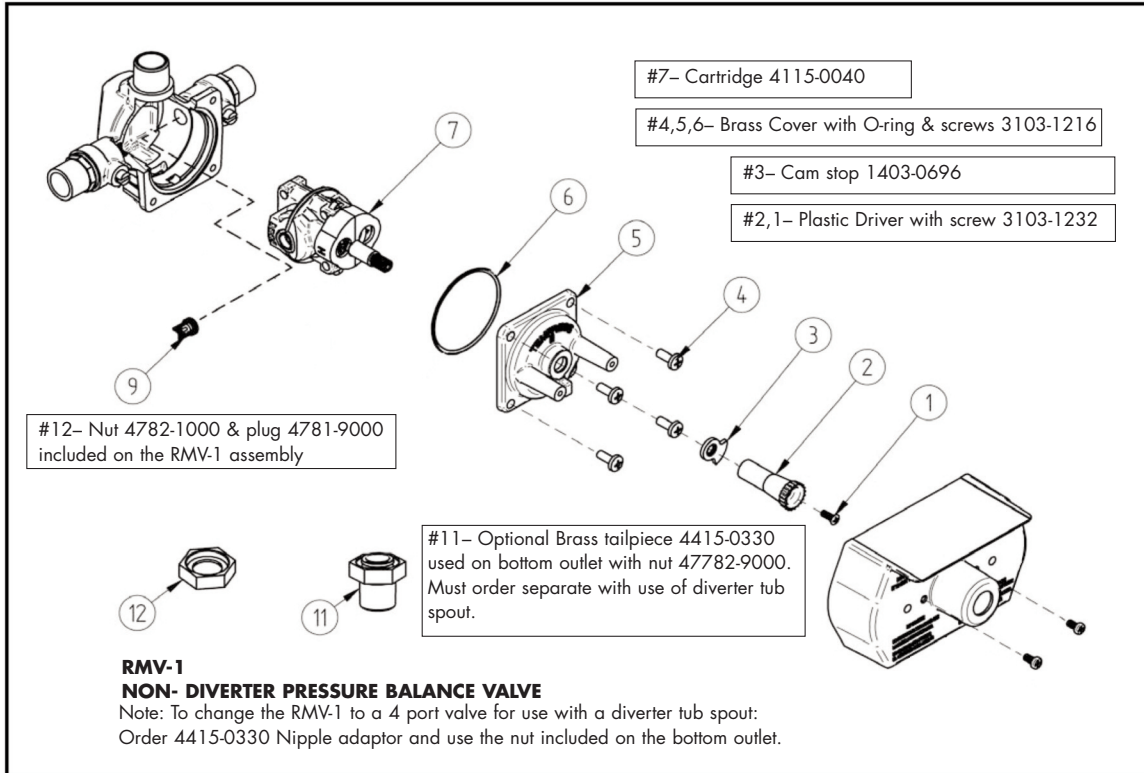
- Pressure balanced concealed bath or shower mixer rough, no volume control
- Install any tub spout 18" min. from the diverter or valve outlet
- If PEX is utilized, oversize the supply line to 3/4" for full flow capacity
- Single lever, diaphragm cartridge
- 1/2" X 1/2" Male connections
- Integrated service stops
- Flow rate: Shower 5.3 GPM @ 50 PSI
- From the center of supply to finish wall: min. 1 5/8", max. 2 1/8"
- If using RT8000 diverter tub spout or any spout that has an integrated diverter, you must order 4415-0330 bottom outlet adaptor to complete
- RMV-1 Extension Kits options:
  - 1/2" handle extension 3603-1207
  - 3/4" handle extension 3603-1208

### WARRANTY

- Limited Lifetime



## RMV-1 Installation Instructions Page 1



## RMV-1 Installation Instructions Page 2

### BEFORE YOU BEGIN

**READ ALL DIRECTIONS PRIOR TO INSTALLATION. ANY ALTERATIONS MADE TO THE VALVE OR CARTRIDGE OR FAILURE TO FOLLOW THESE INSTRUCTIONS MAY CAUSE DAMAGE OR IMPROPER INSTALLATION AND WILL NULLIFY THE WARRANTY AS WELL AS INCREASE THE RISK OF SCALDING.**

- Observe and adhere to all local plumbing codes.
- Pressure-balancing valves are designed for use with hot water supplied from pressurized storage heaters and **cannot** be used in conjunction with low-pressure storage heaters (displacement water heaters).
- Refer to the protective cover (mud guard) markings for proper installation depth. This cover **must** remain in place for plastering and/or tiling etc.
- If PEX (plastic) pipes are to be used, do not use PEX with a diameter of less than 3/4" between the valve and the tub spout (4-Port valves only). Smaller diameter pipes and fittings will cause stacking in the shower outlet.
- It is not necessary to remove the pressure-balancing cartridge from the valve during normal soldering of connections using propane-butane gas. **DO NOT USE OXYGEN-ACETYLENE.** When soldering connections, do not use excessive heat. Open the stop valves when soldering inlets.
- It is recommended that the pipes be flushed clean prior to installation, in order to avoid any problems later.
- Ensure that the stop ring is correctly installed per the instructions below, otherwise a user could potentially disengage the cartridge with minimal force to the external handle. This would cause the valve to fail and the user would be unable to turn the water on/off or control the temperature.

### SPECIFICATIONS

Min. Operating pressure:	20 psi [140 KPa]
Max. Operating pressure:	125 psi [860 KPa]
Max. Burst pressure:	500 psi [3450 KPa]
Max. Hot water temp.:	180°F [80°C]

Flow rate in USGPM [l/min] @ 50 psi [345 KPa]:

	Tub		Shower	
<b>3P</b> 3-Port:	-	-	5.3	[20]
<b>4P</b> 4-Port :	6.8	[26]	5.3	[20]
<b>ID</b> Diverter (Automatic):	6.5	[25]	5.3	[20]
<b>ID</b> Diverter (Manual):	5.3	[20]	4.7	[18]

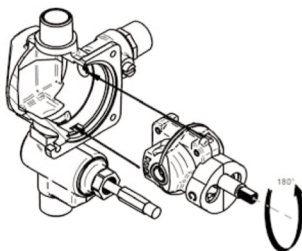
### ROUGH-IN NOTES

When installing 4-Port (4P) and Diverter (ID) valves, please ensure that the fixed outlet is up, and the configurable outlet is down

Open the valve counterclockwise to verify the changes in outlet water temperature. The cartridge driver can be used to turn the cartridge stem.

To test pipe joints, and to inspect for any other possible leaks, pressurize both the hot and cold inlets **before** attaching the outer trim components.

For installations where the hot and cold water supplies are reversed, turn off the hot and cold water supplies and then simply take out the cartridge, rotate it 180° and re-insert as shown below.

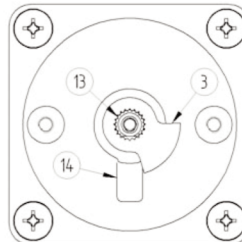


### STOP RING INSTALLATION

Ensure that the stop ring (3) is correctly installed as follows:

- Rotate the cartridge stem (13) fully **clockwise**.
- Position the stop ring on the stem such that it rests against the stop post (14).

The stop ring must be correctly installed **before** the outer trim is installed.



See the trim installation instructions included with the trim components to properly install the hot limit stop.

### INSTALLATION PROBLEMS

***If water continuously drips from the spout or showerhead and/or there is reduced water flow:***

- Turn off the water supplies.
- Remove the cartridge.
- Check for debris in the valve body
- Inspect o-rings for damage.
- Re-grease with silicone-based grease only.
- Re-install cartridge.

For additional troubleshooting help, please go to [www.tempress.ca](http://www.tempress.ca) or contact Point of Purchase.

We reserve the right to change specifications without notice. Some valves may not appear exactly as shown. Valves are warranted to be free from manufacturing defects for a period of 18 months from the date of manufacture. PBV Cartridges are warranted to be free from manufacturing defects for a period of 10 years from the date of manufacture. Additional warranties may apply. All warranty concerns must be directed through the original point of purchase.