



see what Delta can do™

# SLIDE BAR / GRAB BAR SHOWER KIT

■ Less Hand-Shower

**STANDARD SPECIFICATIONS:**

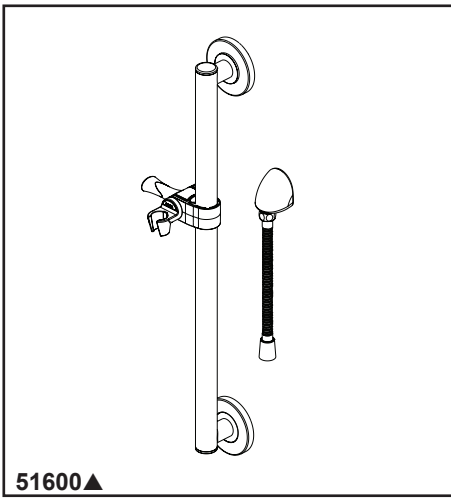
- 60"-82" Stretchable metal hose
- Solid brass wall elbow
- 24" Contemporary slide bar / grab bar
- ADA compliant adjustable hand shower mount and hose
- ADA compliant grab bar when installed per accessibility guidelines of the act

**WARRANTY**

- Lifetime limited warranty on parts (other than electronic parts and batteries) and finishes; or for commercial users, for 5 years from the date of purchase.
- 5 year limited warranty on electronic parts (other than batteries); or for commercial users, for 1 year from the date of purchase. No warranty is provided on batteries.

**COMPLIES WITH**

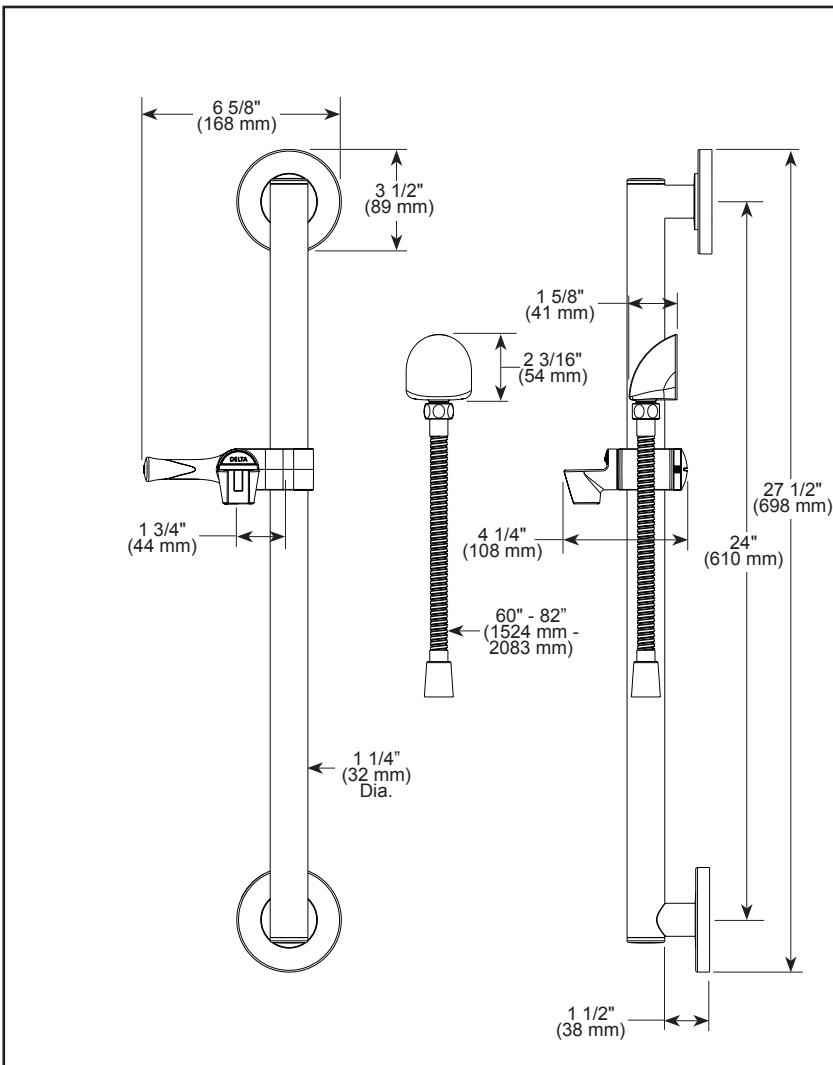
- ASME A112.18.1/CSA B125.1
- Indicates compliance to ICC / ANSI A117.1



51600▲

Submitted Model No.: \_\_\_\_\_

Specific Features: \_\_\_\_\_



▲ Designate proper finish suffix

Delta reserves the right (1) to make changes in specifications and materials, and (2) to change or discontinue models, both without notice or obligation. Dimensions are for reference only. See current full-line price book or [www.deltafaucet.com](http://www.deltafaucet.com) for finish options and product availability.

**Delta Faucet Company**

55 E. 111th Street, Indianapolis, IN 46280  
350 South Edgeware Road, St. Thomas, ON N5P 4L1  
© 2022 Delta Faucet Company