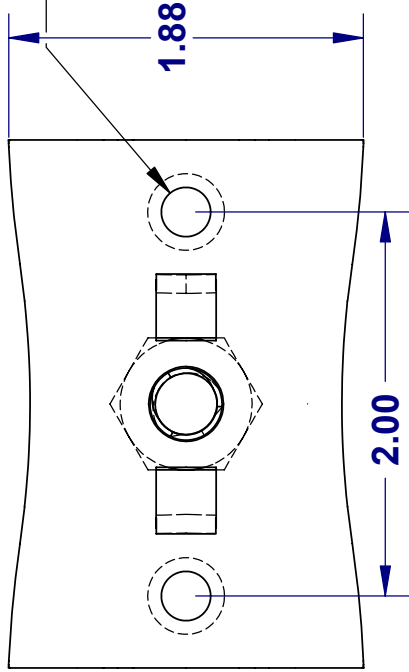
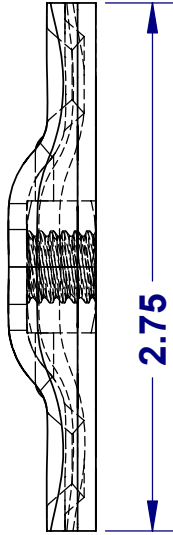


THE INFORMATION CONTAINED IN THIS DRAWING IS THE SOLE PROPERTY OF GREENFIELD MFG CO. ANY REPRODUCTION IN PART OR WHOLE WITHOUT THE WRITTEN PERMISSION OF GREENFIELD MFG CO IS PROHIBITED.

$\phi .26$   
COUNTER SINK FOR  
FLAT HEAD SCREW



HEAVY HEX NUT  
ZINC PLATED  
3/8- 16 UNC  
FULLY CAPTIVATED



**made in USA**

**SAFE WORKING LOAD  
200 POUNDS LIMITED BY  
FASTENERS ATTACHED  
PROOF TESTED AT 2000 LBS  
TEST REPORTS AT WWW.GFM.BIZ**

UNLESS OTHERWISE SPECIFIED  
DIMENSIONS ARE IN INCHES  
TOLERANCES ARE:  
FRACTIONS .XX +1  
DECIMALS .XX +1  
ANGLES .XXX +/- .01

MATERIAL  
**13 GA. GALV STEEL**

DO NOT SCALE DRAWING

CAD GENERATED DRAWING.  
DO NOT MANUALLY UPDATE

APPROVALS	DATE
DRAWN EG	9/12
CHECKED SB	9/12

**GREENFIELD MFG CO**  
9800 Bustleton Ave.,  
Philadelphia, Pa 19115

**BOWTIE FLANGE PLATE**

A	P/N	<b>FIG.389</b>	REV.
SCALE	FILE:	<b>FIG 389 BOWTIE</b>	SHEET OF
		2	1