

### Features

- 8 (203 mm) centers.
- 8-7/8" (225 mm) wall-to-spout outlet with wall brace and pail hook.
- 1/4-turn full brass ceramic valve.
- 13.5 gal/min (51 l/min) flow rate at 60 psi (4.1 bar).
- 2-7/16" vandal-proof metal lever handles.
- Threaded spout for hose connection.
- Atmospheric vacuum breaker to prevent back flow (not intended for continuous pressure).
- Integral supply stops with lock key for easy and convenient access.
- Drain sold separately.

### Material

- Solid brass construction with thick chrome plating for rough commercial applications.

### Installation

- Eccentric inlet shanks for easy installation.

### Recommended Products/Accessories

K-23723 Faucet cleaner



ADA CSA B651 OBC

### Codes/Standards


ASME A112.18.1/CSA B125.1  
ADA  
ICC/ANSI A117.1  
CSA B651  
OBC

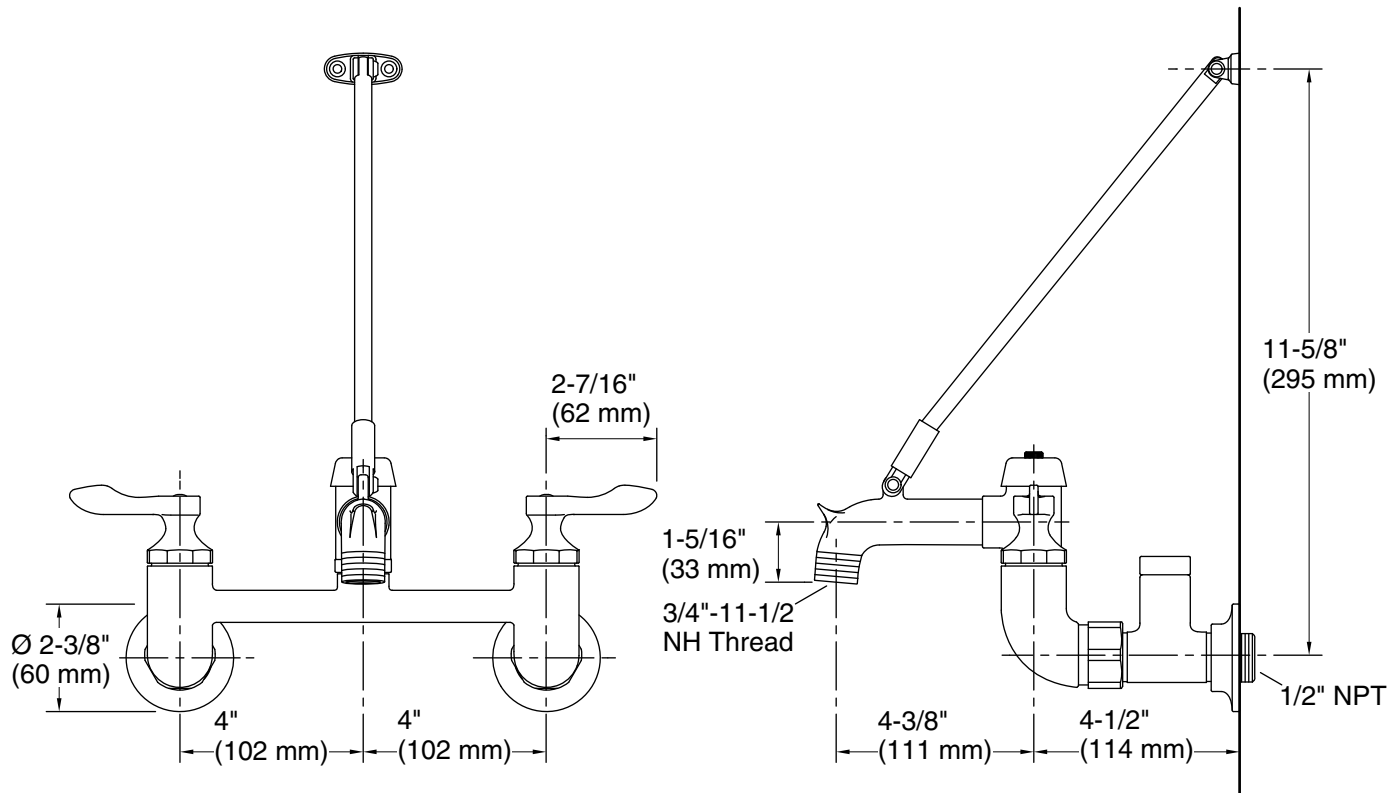
### KOHLER® One-Year Limited Warranty

See website for detailed warranty information.

### Available Colors/Finishes

*Color tiles intended for reference only.*

Color	Code	Description
	CP	Polished Chrome



### Technical Information

All product dimensions are nominal.

#### Faucet:

Flow rate: 13.5 gal/min (51.1 l/min)  
 Pressure: 60 psi (4.1 bar)  
 Valve body: Cast brass  
 Drain included: No

#### Spout:

Spout reach:  $8\text{-}7/8\text{'}$  (225 mm)  
 Handle clearance:  $2\text{-}7/16\text{'}$  (62 mm)

### Notes

Install this product according to the installation instructions.

ADA, OBC, CSA B651 compliant when installed to the specific requirements of these regulations.