

ELKAY® SPECIFICATIONS

Bracket Fountain Model EDF15R

GENERAL

Number 300 Series, nickel bearing satin finish stainless steel drinking fountain has a contoured basin to eliminate splashing and standing water, and a 14 gauge, heavy duty wall bracket. Basin has rounded corners for added safety and ease of maintenance, and a removable chrome-plated strainer.

NO LEAD DESIGN

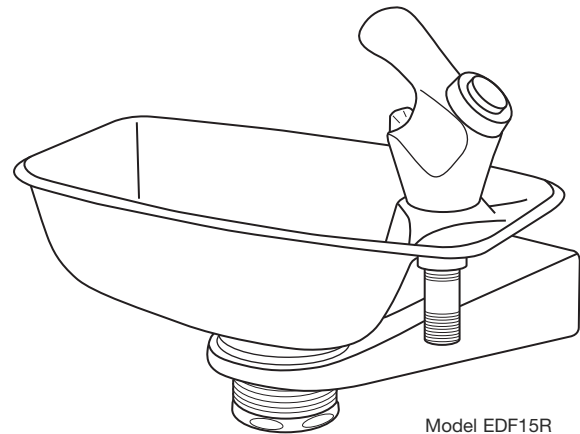
THIS WATER COOLER COMPLIES WITH THE LEAD-FREE DEFINITION IN THE SAFE DRINKING WATER ACT OF 1986 AND LEAD CONTAMINATION CONTROL ACT OF 1988.

LK142 Bubbler is constructed of completely lead-free material. Projector is chrome-plated, single stream, push button type with integral hood and stream regulator.

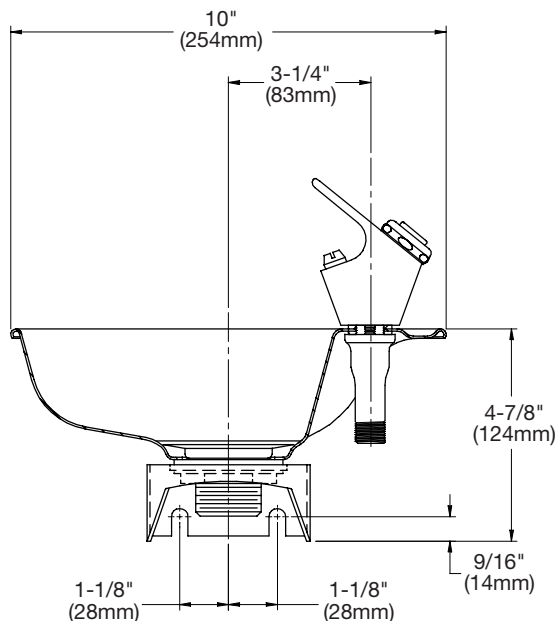
STANDARDS

This fountain is certified by WQA to lead-free compliance including **NSF/ANSI 61-ANNEX G, AB 1953.**

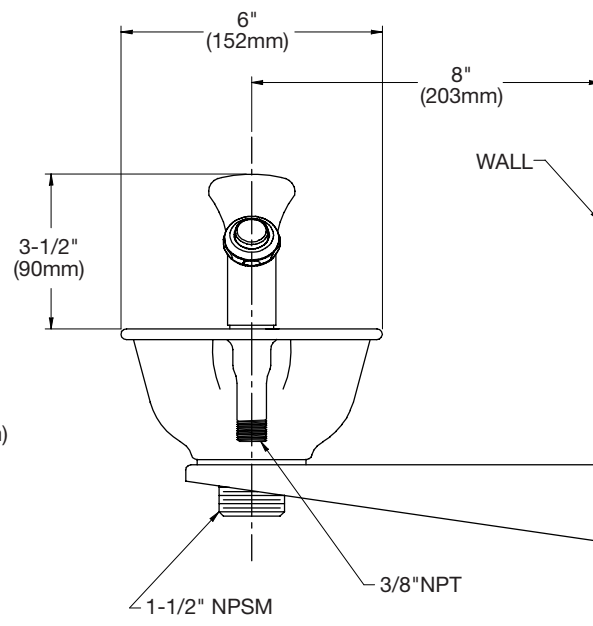
10"W x 6"D x 3"H.
Ship. Wt. 5 lbs.



FRONT VIEW



SIDE VIEW



In keeping with our policy of continuing product improvement, Elkay reserves the right to change product specifications without notice. Please visit elkayusa.com for most current version of Elkay product specification sheets.

This specification describes an Elkay product with design, quality and functional benefits to the user. When making a comparison of other producers' offerings, be certain these features are not overlooked.