

PRODUCT SPECIFICATIONS

Push Button Bubbler. Overall dimensions are 1-7/16" x 2-3/8" x 4-3/4". Made of Chrome Plated Brass.

Material:	Chrome Plated Brass
Finish:	Chrome (CR)
Dimensions:	1-7/16" x 2-3/8" x 4-3/4"
Shipping Weight:	1 lbs.

Special Note: For use with Elkay EDF214WC ,DRKR, EDF15R, EFWC16 models.

- Push-button valve bubbler designed so that water never comes in contact with lead-containing materials.
- Built-in adjustable water volume control which regulates flow from 20 psi to 105 psi.
- Heavy chrome-plated body with a 3/8" (10 mm) NPT connection.
- Requires one 1-1/2" (38 mm) or 1-1/4" (32 mm) faucet hole.



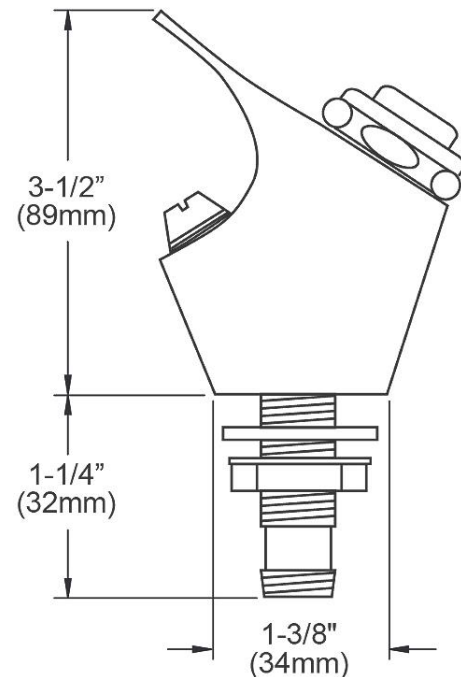
Included with Product: Complete Bubbler Assembly

AMERICAN PRIDE. A LIFETIME TRADITION.

Like your family, the Elkay family has values and traditions that endure. For almost a century, Elkay has been a family-owned and operated company, providing thousands of jobs that support our families and communities.



Product Compliance: ASME A112.18.1/CSA B125.1
NSF 61
NSF 372 (lead free)



PART: _____ QTY: _____

PROJECT: _____

CONTACT: _____

DATE: _____

NOTES: _____

APPROVAL: _____

In keeping with our policy of continuing product improvement, Elkay reserves the right to change product specifications without notice. Please visit elkay.com for the most current version of Elkay product specification sheets. This specification describes an Elkay product with design, quality, and functional benefits to the user. When making a comparison of other producers' offerings, be certain these features are not overlooked.