

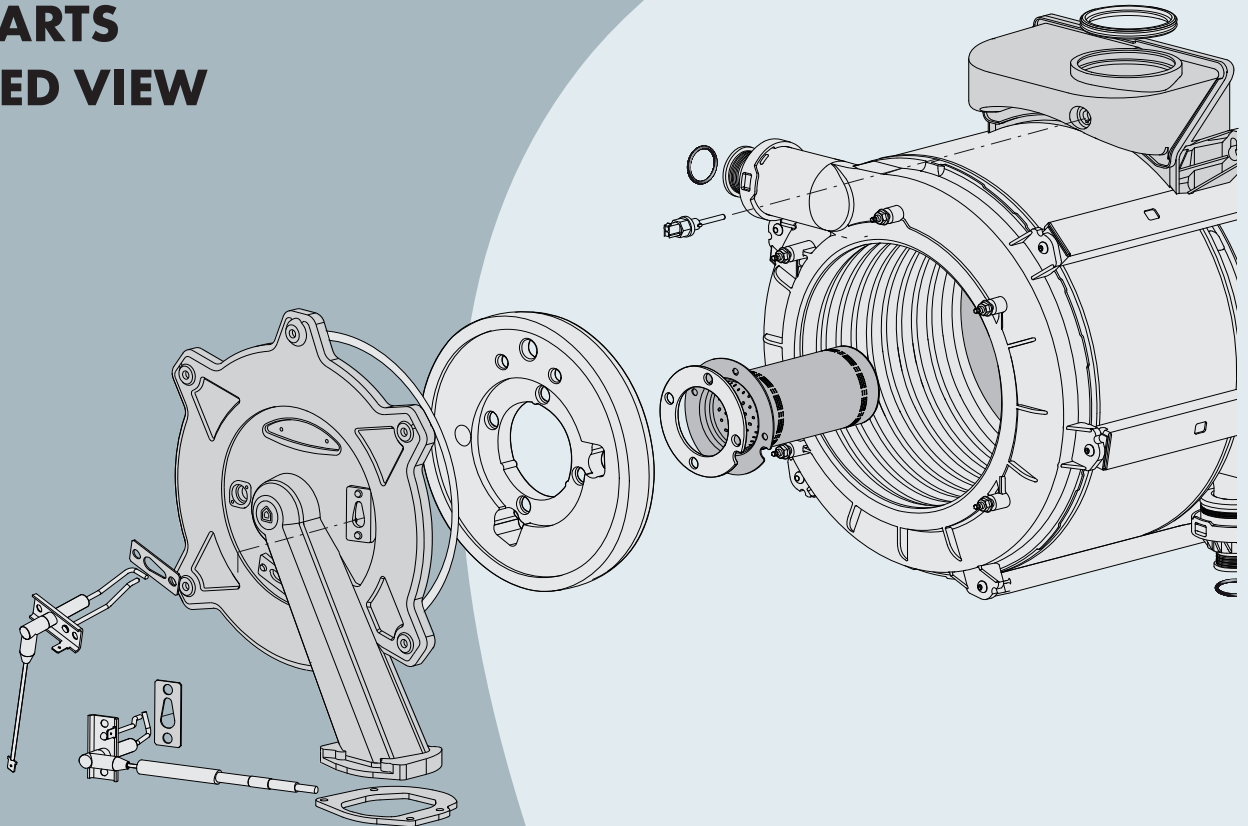


TRX SERIES II

Residential Condensing Gas Boiler

SPARE PARTS EXPLODED VIEW

Models
TRX150
TRX199
TRX199C



NOTICE

The manufacturer reserves the right to make product changes or updates without notice and will not be held liable for typographical errors in literature.

The surfaces of these products contacted by potable (consumable) water contain less than 0.25% lead by weight as required by the Safe Drinking Water Act, Section 1417.

DANGER

THIS MANUAL MUST ONLY BE USED BY A QUALIFIED INSTALLER / SERVICE TECHNICIAN. READ ALL INSTRUCTIONS IN THIS MANUAL BEFORE INSTALLING. PERFORM STEPS IN THE GIVEN ORDER. FAILURE TO DO SO COULD RESULT IN SUBSTANTIAL PROPERTY DAMAGE, SEVERE PERSONAL INJURY, OR DEATH.

WARNING

Improper installation, adjustment, alteration, service, or maintenance could void product warranty and cause property damage, severe personal injury, or death.

California Proposition 65 Warning: This product contains chemicals known to the State of California to cause cancer, birth defects, or other reproductive harm.



SPARE PARTS EXPLODED VIEW GAS-WALL CONDENSING BOILERS

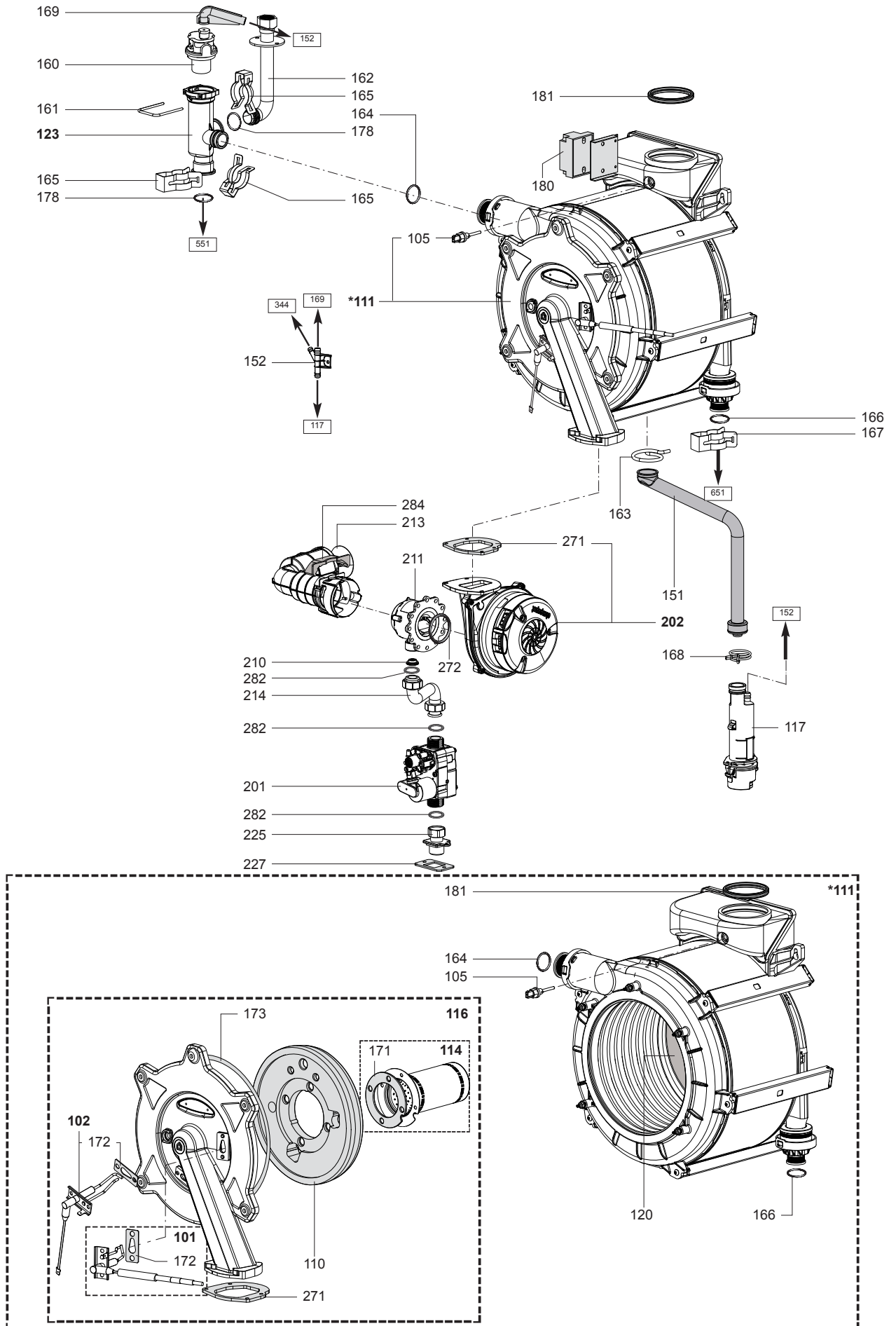
Model

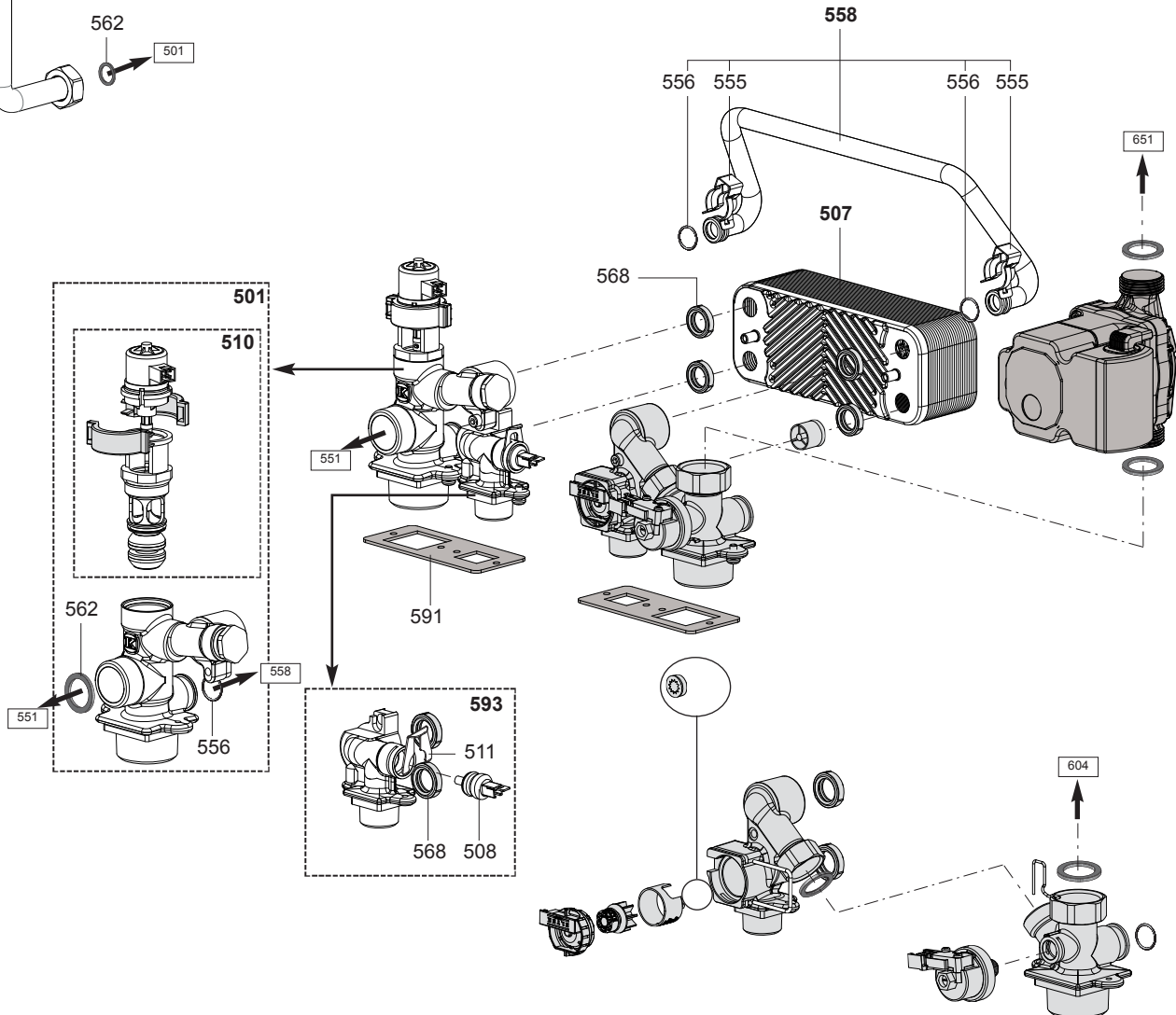
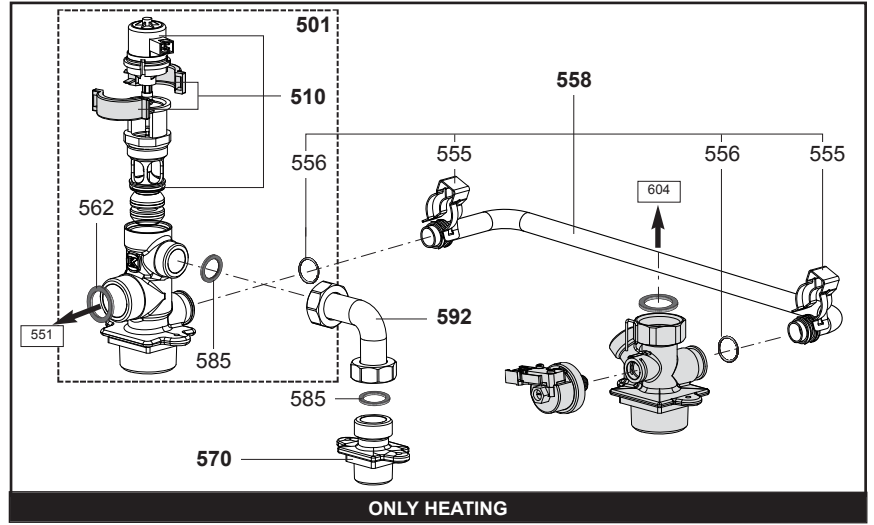
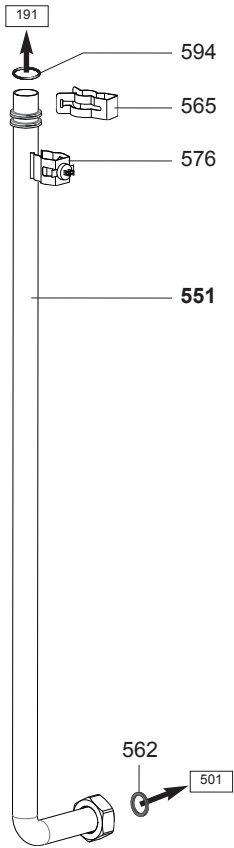
TRX 150, TRX 199, TRX 199C

R8219250-01 - 14/02/2024

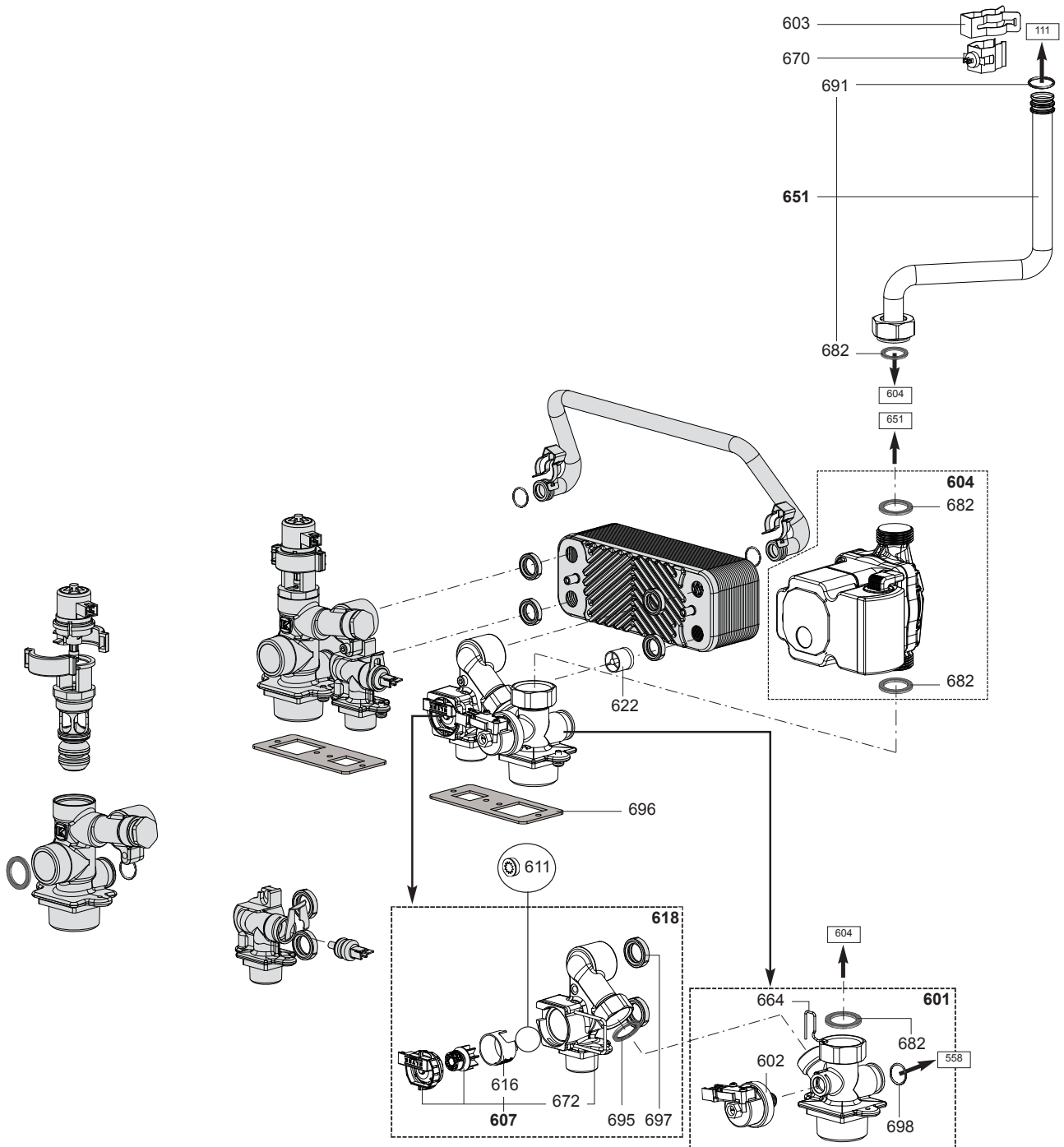
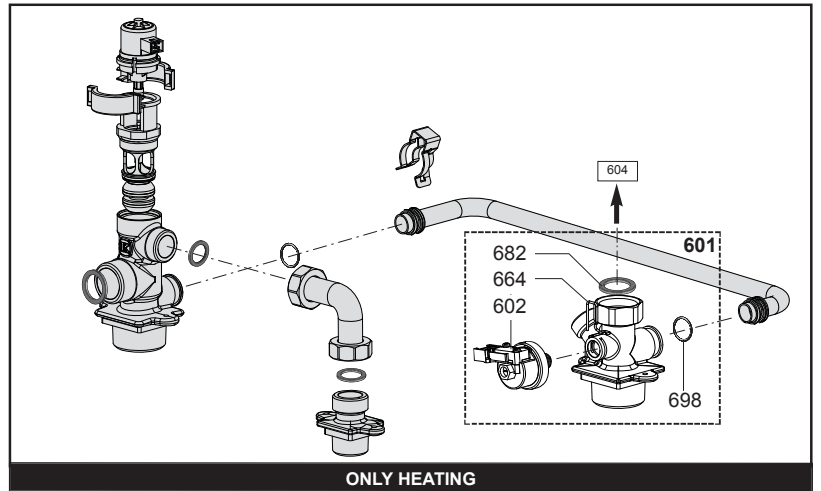
1	3314306	TRX150.	03-2024	-
2	3314307	TRX199.	03-2024	-
3	3314308	TRX199C.	03-2024	-

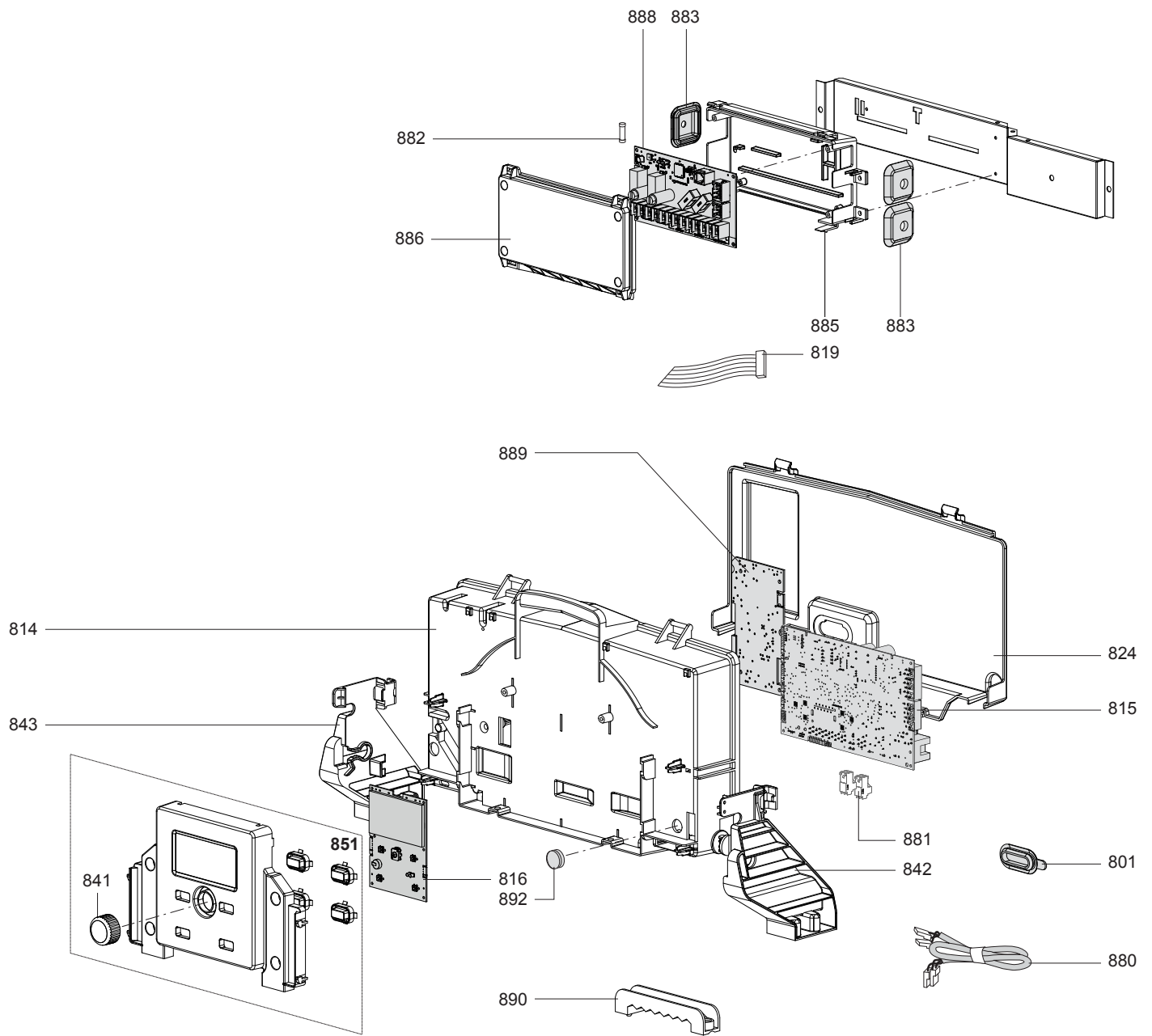
Col	Reference	Model type	Begin	End
-----	-----------	------------	-------	-----



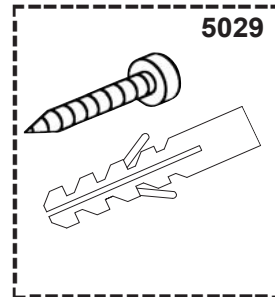
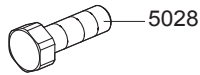
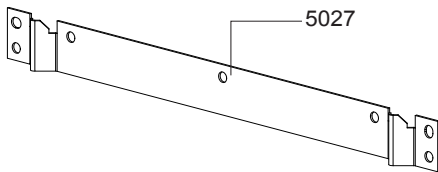
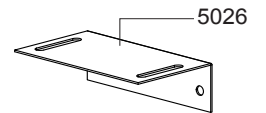
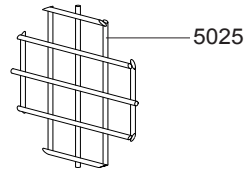
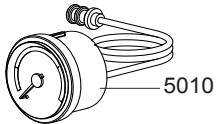
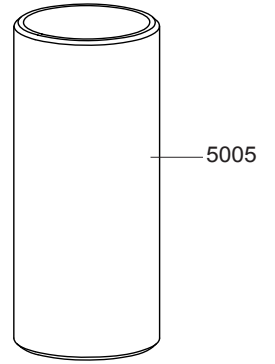
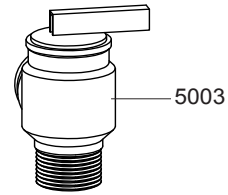
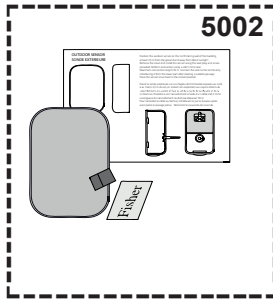
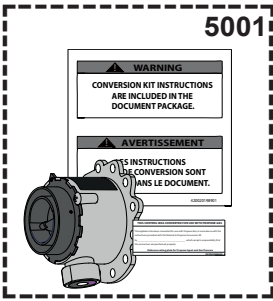


Replacement parts



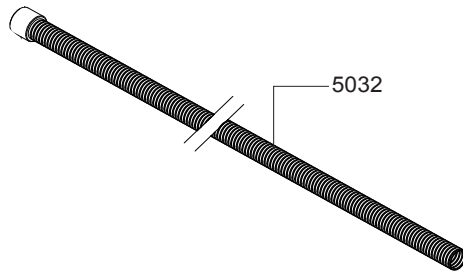


5022



5031

Gas Vent Directly Below
Keep Free of Obstructions



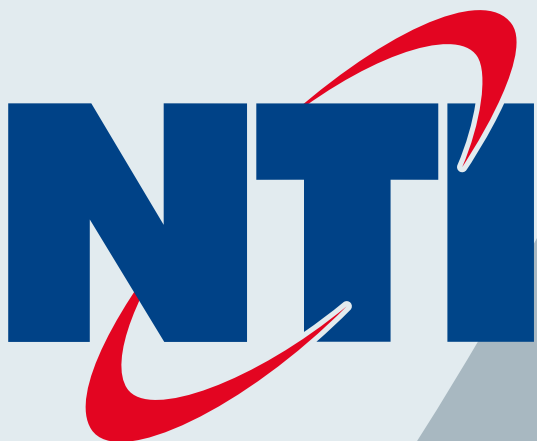
		EN	DE	NL	
		FR	ES	IT	
0101	64980787	IGNITION ELECTRODE ELECTRODE ALLUMAGE	ZUNELEKTRODE ELECTRODO DE ENCENDIDO	ELECTRODE ONTSTEKING ELETTRODO D'ACCENSIONE	1
0102	64980788	DETECTION ELECTRODE ÉLECTRODE DE DÉTECTION	ERKENNUNGSELEKTRODE ELECTRODO DE DETECCIÓN	DETECTIE ELEKTRODE ELETTRODO DI RILEVAZIONE	1
0105	65118667	SMOKE PROBE 10K D4X39 SONDE FUMEE 10K D4X39	RAUCHSONDE 10K D4X39 SONDA HUMO 10K D4X39	ROOKSONDE 10K D4X39 SONDA FUMI 10K D4X39	1
0110	64980114	INSULATING PANEL Panneau isolant	ISOLIERPLATTE Panel aislante	ISOLEREND PANEEL Pannello isolante	1
0111	64980086	HEAT EXCHANGER 45KW ECHANGEUR 45KW	AUSTAUSCHER 45KW INTERCAMBIADOR 45KW	WARMTEWISSELAAR 45KW SCAMBIATORE 45KW	0
	64980087	EXCHANGER ECHANGEUR	WÄRMETAUSCHER INTERCAMBIADOR	60KW WISSELAAR SCAMBIATORE	0
0114	64980116	BURNER 45KW BRULEUR 45KW	BRENNER 45KW QUEMADOR 45KW	BRANDER 45KW BRUCIATORE 45KW	1
	64980118	BURNER 60KW BRÛLEUR 60KW	BRENNER 60KW QUEMADOR 60KW	BRANDER 60KW BRUCIATORE 60KW	1
0116	64980112	DOOR ASSY PORTE EQUIPEE	FRONTABDECKUNG KOMPLETT PUERTA EQUIPADA	DEUR COMPLEET SPORTELLO COMPLETO	0
	64980117	DOOR ASSY PORTE EQUIPEE	FRONTABDECKUNG KOMPLETT PUERTA EQUIPADA	DEUR COMPLEET SPORTELLO COMPLETO	0
0117	64980193	CONDENSATE DRAIN TRAP SIPHON D'ÉVACUAT.DES CONDENS.	KONDENSATSABLAUF TRAMPA DE DRENAJE DE CONDENS.	CONDENSATVOERVAL SIFONE SCARICO CONDENSA	1
0120	64980128	REAR INSULATING PANEL Panneau isolant arrière	RÜCKSEITIGE ISOLIERPLATTE Panel aislante trasero	ISOLEREND ACHTERPANEEL Pannello isolante posteriore	1
0123	64980147	AIR BREATHER VALVE SOUPAPE DE RENIFLARD D'AIR	ENTLÜFTUNGSVENTIL VÁLVULA DE RESPIRADERO DE AIRE	LUCHTONTVOERKLEP VALVOLA SFIATO ARIA	0
0151	64980177	RUBBER CONDENSATE DRAIN PIPE TUYAU (VIDANGE DE CONDENSAT)	ROHR (KONDENSATABLAUF) TUBO (DRENAJE DE CONDENSADO)	PIJP (CONDENSAATAFVOER) TUBO SCARICO CONDENSA	1
0152	64980263	COUPLING Y HOSE CONNECTOR COUPLAGE ET CONNECT.DE TUYAU	KUPPLUNG DES SCHLAUCHANSCHLUS. CONECTOR DE ACOPLAM.Y MANG.	KOPPELING VAN DE SLANGCONNECTOR CONNETTORE TUBI Y	1
0160	65104683	AUTO AIR VENT WITH O-RING PURGEUR D'AIR AVEC O-RING	LUFTABLASSVENTIL + O-RING PURGADOR DE AIRE COMPLETA+OR	ONTLUCHTINGSKLEP MET O-RING VALVOLA SFOGO ARIA + O-RING	1
0161	64980149	CLIP CLIP	CLIP CLIP	KLEM CLIP	1
0162	64980180	PIPE (PRESSURE RELIEF VALVE) TUBE SOUPAPE DE SECURITE	SICHERHEITSVENTILROHR TUBO VALVULA DE SEGURIDAD	BUIS VEILIGHEIDSKLEP TUBO VALVOLA DI SICUREZZA	0
0163	64980243	CLAMP SERRER	KLEMME ABRAZADERA	KLEM MORSETTO	1
0164	64980265	O-RING SEAL 25,07x2,62 EPDM JOINT TORIQUE 25,07x2,62 EPDM	DICHTUNG O-RING 25,07x2,62 EPDM ANILLO O-RING 25,07x2,62 EPDM	O-RING SEAL 25,07x2,62 EPDM O-RING 25,07x2,62 EPDM	1
0165	64980179	CLIP CLIP	CLIP CLIP	KLEM CLIP	1
0166	65116846	O-RING 18x2.8 JOINT TORIQUE D: 18-2.8	O-RING D: 18-2.8 JUNTA TORICA D: 18-2.8	DICHTINGSRING D: 18-2.8 ANELLO OR D: 18-2.8	1
0167	60000309	CLIP CLIP	CLIP CLIP	KLEM CLIP	1
0168	60000533	HOSE CLAMP COLLIER SUR SOUPLE	KRAGEN AUF FLEXIBEL COLLAR EN FLEXIBLE	KRAAG OP FLEXIBEL COLLARE SU FLESSIBILE	1
0169	64980245	SILICONE ELBOW COUDE SILICONE	SILIKON-ELLENBOGEN CODO DE SILICONA	SILICONE ELLEBOOG GOMITO SILICONE	1
0171	65116521	BURNER GASKET JOINT BRÛLEUR	BRENNERDICHTUNG JUNTA QUEMADOR	BRANDER PAKKING GUARNIZIONE BRUCIATORE	1
0172	64980262	ELECTRODE GASKET JOINT ÉLECTRODE	ELEKTRODENDICHTUNG JUNTA DE ELECTRODO	ELEKTRODE PAKKING GUARNIZIONE ELETTRODO ACCENSIONE	1
0173	64980113	SILICONE ROPE CORDE EN SILICONE	SILIKONSEIL CUERDA DE SILICONA	SILICONE TOUW CORDA SILICONATA	1
0178	64980261	GASKET O-RING 21,82x3,53 JOINT TORIQUE 21,82x3,53	DICHTUNG O-RING 21,82x3,53 JUNTA TÓRICA 21,82x3,53	PAKKING O-RING 21,82x3,53 GUARNIZIONE O-RING 21,82x3,53	0
0180	65119323	SPARK GENERATOR TRANSFORMATEUR D'ALLUMAGE	ZUNDTrafo ENCENDEDOR	ONTSTEKINGSTRANSFORMATOR ACCENDITORE	1
0181	64980413	GASKET (SMOKE OUTLET-Ø80) JOINT (SORTIE DE FUMEE-Ø80)	DICHTUNG (RAUCHABZUG-Ø80) JUNTA (SALIDA DE HUMOS-Ø80)	DICHTING (ROOKUITLAAT-Ø80) GUARNIZIONE USCITA FUMI Ø80	0
0201	65118645	GAS VALVE, HONEYWELL KV4205 VALVE GAZ	GASVENTIL VALVULA GAS	GASBLOK VALVOLA GAS	1
0202	64980119	VENTILATOR VENTILATEUR	LAUFRAD HELICE VENTILADOR	VENTILATOR VENTILATORE	2
	64980120	FAN/COMBUSTION BLOWER VENTILATEUR	LAUFRAD HELICE VENTILADOR	VENTILATOR VENTILATORE	2
0210	60001940	GAS DIAPHRAGM D 5.70 DIAPHRAGME A GAZ D 5.70	GASMEMBRANE D 5.70 MEMBRANA DE GAS D 5.70	GASDIAFRAGMA D 5.70 DIAFRAMMA GAS D 5.70	1
0211	64980106	MIXER 150 LP WT MIXER 150 LP WT	MIXER 150 LP WT MIXER 150 LP WT	MIXER 150 LP WT MIXER 150 GPL WT	0

Replacement parts

		EN	DE	NL	
		FR	ES	IT	
	64980108	MIXER 199-199C LPG MIXER 199-199C GPL	MIXER 199-199C F-GAS MIXER 199-199C GLP	MIXER 199-199C LPG MIXER 199-199C GPL	0
	64980122	MIXER, 150 NG WT MIXER, 150 NG WT	MIXER, 150 NG WT MIXER, 150 NG WT	MIXER, 150 NG WT MIXER, 150 NG WT	0
	64980123	MIXER 199-199C NG MIXER 199-199C GN	MIXER 199-199C E-GAS MIXER 199-199C GN	MIXER 199-199C IA-GAS MIXER 199-199C MET	0
0213	64980127	SILENCER SILENCIEUX	SCHALLDÄMPFER SILENCIADOR	GELUIDDEMPER SILENZIATORE	1
0214	64980129	PIPE (GAS VALVE-VENTURI) TUYAU (VANNE DE GAZ-VENTURI)	ROHR (GASVENTIL-VENTURI) TUBO (VÁLVULA DE GAS-MIXER)	PIJP (GASKLEP-VENTURI) TUBO VALV.GAS-MIXER	0
	64980130	PIPE (GAS VALVE-VENTURI) TUYAU (VANNE DE GAZ-VENTURI)	ROHR (GASVENTIL-VENTURI) TUBO (VÁLVULA DE GAS-MIXER)	PIJP (GASKLEP-VENTURI) TUBO VALV.GAS-MIXER	0
0225	64980175	BRASS CONNECT.M 3/4 NPT- FREE NUT 3/4 RACCORD M 3/4 NPT- ECROU SANS 3/4	MESSINGSANSCH.M 3/4 NPT-FREIE MUTT.3/4 CONEX.M 3/4 NPT-TUERCA LIBRE 3/4	AANSLUIT.MESS.M 3/4 NPT-VRIJE MOER 3/4 RACCORDO M 3/4NPT-3/4 G	1
0227	64980217	GASKET (GAS ADAPTER) JOINT (ADAPTATEUR GAZ)	DICHTUNG (GASADAPTER) JUNTA (ADAPTADOR DE GAS)	DICHTING (GASADAPTER) GUARNIZIONE ADATTATORE GAS	0
0271	64980678	GASKET (BLOWER) JOINT VENTILATEUR	DICHTUNG, GEBLASE JUNTA VENTILADOR	DICHTING VENTILATOR GUARNIZIONE VENTILATORE	1
	64980699	GASKET (VENTILATOR) JOINT VENTILATEUR	DICHTUNG, GEBLASE JUNTA VENTILADOR	DICHTING VENTILATOR GUARNIZIONE VENTILATORE	1
0272	60001878	O-RING 165 NBR 70 Sh 61.91x3,53 JOINT TORIQUE 165 NBR 70 Sh 61.9	O-RING 165 NBR 70 Sh 61.91x3,53 O-RING 165 NBR 70 Sh 61.91x3,53	O-RING 165 NBR 70 Sh 61.91x3,53 O-RING 165 NBR 70 Sh 61.91x3,53	1
0282	60022835-01	GASKET D:24-18.2-1.5 JOINT PLAT D: 24-18.2-1.5	DICHT.SCHEIBE D: 24-18.2-1.5 JUNTA PLANA D: 24-18.2-1.5	DICHTING VLAK D. 24-18.2-1.5 GUARNI. PIANA D: 24-18.2-1.5	10
0284	6000086861	SILENCER SPACER ESPACÉUR DE SILENCIEUX	SCHALLDÄMPFER-ABSTANDSSTÜCK ESPACIADOR SILENCIADOR	GELUIDDEMPER SPACER DISTANZIALE SILENZIATORE	0
0312	64980209	FLUE TEST PORT PLUG BOUCHON DE PRISE FUMÉE	STOPPEN ABGAS-U. ZULUFTMESS.KUNST. TAPON TOMA HUMOS	STOP ROOKGASMEETNIPPELS TAPPO ANALISI FUMI + O-RING	1
0315	6500670400	PANEL (L.H. SIDE) PANNEAU LATÉRAL GAUCHE	LINKES SEITENTEIL PANEL LATERAL IZQUIERDO	LINKERZIJPANEEL PANNELLO LATERALE SINISTRO	1
0317	6500670500	PANEL (FRONT) PANNEAU AVANT	FRONTBLLENDE PANEL FRONTAL	VOORPANEEL PANNELLO FRONTALE	1
0318	6500670300	PANEL (R.H. SIDE) PANNEAU LATÉRAL DROIT	RECHTES SEITENTEIL PANEL LATERAL DERECHO	RECHTERZIJPANEEL PANNELLO LATERALE DESTRO	1
0340	64980206	ADAPTOR (AIR INLET) ADAPTATEUR D'ENTRÉE D'AIR	ADAPTER, LUFT EINGANG ADAPTADOR DE ENTRADA DE AIRE	LUCHTINLAAT ADAPTER ADATTATORE INGRESSO ARIA	1
0341	64980237	SEAL GASKET OUTLET 80 JOINT DE SORTIE 80	DICHTUNGSAUSGANG 80 JUNTA DE SALIDA 80	PAKKING UITLAAT 80 GUARNIZIONE D80 USCITA FUMI	1
0342	64980207	GASKET D90 EPDM SH.A PEROX JOINT D90 EPDM SH.A PEROX	DICHTUNG D90 EPDM SH.A PEROX JUNTA D90 EPDM SH.A PEROX	DICHTING D90 EPDM SH.A PEROX GUARNIZIONE D90 EPDM SH.A PEROX	1
0343	64980208	FOAM FLUE GAS ADAPTOR MOUSSE ADAPTAT.DE GAZ DE FUMÉE	DICHTUNG ABGASBOGEN ESPUMA DE ADAPTAD.DE GASES	SCHUIMKANAALADAPTER GUARNIZIONE COLLETTORE FUMI	1
0344	64980233	TRAY CONDENS PLATEAU CONDENS	TABLETT KONDENSAT BANDEJA CONDENS	LADE CONDENS VASSOIO CONDENSA	1
0345	64980210	ADAPTOR (FLUE OUTLET) ADAPTATEUR, SORTIE DE FUMÉE	ADAPTER, RAUCH AUSGANG ADAPTADOR, SALIDA DE HUMO	ADAPTER, ROOKUITGANG ADATTATORE USCITA FUMI	1
0346	64980236	O-RING SEAL 2,7X8,9 EPDM PEROX 70 Sh. JOINT TORIQUE 2,7X8,9 EPDM PEROX 70 Sh.	NDICHTRING 2,7X8,9 EPDM PEROX 70 Sh. JUNTA TORICA 2,7X8,9 EPDM PEROX 70 Sh.	DICHTINGSRING 2,7X8,9 EPDM PEROX 70 Sh. O-RING 2,7X8,9 EPDM PEROX 70 Sh.	1
0347	64980238	DOOR LATCH FERMETURE DU PANNEAU	PANELSCHLIESSUNG CIERRE DEL PANEL	PANEEL SLUITING CHIUSURA MANTELLO	0
0349	6500605300	BEZEL PLASTRON	EINSATZ PLASTRON	PLAAT MOSTRINA	1
0350	6500670600	PANEL (TOP) PANNEAU DU HAUT	OBERSEITE PANEL SUPERIOR	BOVENSTE PANEEL PANNELLO SUPERIORE	1
	6500670700	PANEL (TOP) PANNEAU DU HAUT	OBERSEITE PANEL SUPERIOR	BOVENSTE PANEEL PANNELLO SUPERIORE	1
0379	64980674	GASKET (CONDENSATE TRAP) JOINT (SIPHON DE CONDENSATS)	DICHTUNG (KONDENSATFALL) JUNTA (TRAMPA DE CONDENSADOS)	PAKKING (CONDENSATVOER) GUARNIZIONE SIFONE	1
0501	64980859	GROUP (3 WAY VALVE-SYSTEM) GROUPE VALVE 3 VOIES-SYSTEM	GRUPPE (3-WEGE-VENTIL-SYSTEM) GRUPO VÁLVULA 3 VÍAS SYSTEM	GROEP (3 MANIEREN KLEP-SYSTEM) GRUPPO VALVOLA 3 VIE	5
	64980860	GROUP (3 WAY VALVE) GROUPE DE VANNES À 3 VOIES	GRUPPE (3-WEGE-VENTIL) GRUPO DE VÁLVULAS DE 3 VÍAS	GROEP (3-WEGS KLEP) GRUPPO VALVOLA 3 VIE	1
0507	64980203	SANITARY HEAT EXCHANGER (27 P.) ECHANGEUR SANITAIRE 27 PLAQUES	PLATTENWAERMETAUSCHER INTERCAMBIADOR SANITARIO 27	WARMTEWISSELAAR SANITAIR 27 PLATEN SCAMBIATORE SANITARIO 27 PIASTRE	1
0508	65121175	SENSOR (NTC) SENSOR (NTC)	SENSOR (NTC) SENSOR (NTC)	SENSOR (NTC) SONDA NTC	1
0510	64980861	3-WAY VALVE (MOTOR MOONS+CARTDR.) 3-WAY VALVE (MOTOR MOONS+CARTDR.)	3-WAY VALVE (MOTOR MOONS+CARTDR.) 3-WAY VALVE (MOTOR MOONS+CARTDR.)	3-WAY VALVE (MOTOR MOONS+CARTDR.) 3-WAY VALVE (MOTOR MOONS+CARTDR.)	1
0511	65104339	CLIP D:12 CLIP D:12	SICHERHEITSSPLINT D20 CLIP D:12	KLEM D:12 CLIP D:12	1
0551	64980151	PIPE (CH OUTLET-45KW) TUBE DEPART CHAUFFAGE 45KW	VORLAUFROHR 45KW TUBO ENVÍO 45KW	BUIS VERTREK VERWARMING 45KW TUBO MANDATA 45KW	0

Replacement parts

			EN	DE	NL	
			FR	ES	IT	
		64980152	PIPE (CH OUTLET-60KW) TUBE DEPART CHAUFFAGE 60KW	VORLAUFROHR 60KW TUBO ENVÍO 60KW	BUIS VERTREK VERWARMING 60KW TUBO MANDATA 60KW	0
0555		64980186	CLIP (BY-PASS PIPE-SYSTEM) CLIP (TUYAU BY-PASS)	CLIP (BY-PASS-ROHR) CLIP TUBO BY-PASS	CLIP (BY-PASS BUIS) CLIP TUBO BY-PASS	1
0556		64980202	O-RING 13.95 X 2.62 JOINT TORIQUE D: 13.95 X 2.62	NDDICHRING D: 13.95 X 2.62 JUNTA TORICA D: 13.95 X 2.62	DICHTINGSRING D: 13.95 X 2.62 ANELLO OR 13.95 X 2.62	1
0558		64980187	BY-PASS PIPE TUBE BY-PASS	BYPASS-ROHR TUBO BY-PASS	BUIS BY-PASS TUBO BY-PASS	0
		64980197	BY-PASS PIPE TUBE BY-PASS	BYPASS-ROHR TUBO BY-PASS	BUIS BY-PASS TUBO BY-PASS	1
0562		64980701	GASKET, 1" Fibre AFM34/2 REINZ JOINT 1" AFM34/2	DICHTUNG 1 Z, AFM34/2 JUNTA 1" AFM34/2	AFDICHTING 1", AFM34/2 GUARNIZIONE ACQUA-GAS 1" AFM34/2	10
0565		64980179	CLIP CLIP	CLIP CLIP	KLEM CLIP	1
0568		65114928	EXCHANGER GASKET JOINT ECHANGEUR	DICHTUNG WAERMETAUSCHER JUNTA INTERCAMBIADOR	DICHTING WISSELAAR GUARNIZIONE SCAMBIATORE	5
0570		64980188	CONNECTION M 3/4 NPT - M 3/4 G RACCORD M 3/4 NPT - M 3/4 G	ANSCHLUSS M 3/4 NPT - M 3/4 G CONEXIÓN M 3/4 NPT - M 3/4 G	AANSLUITING M 3/4 NPT - M 3/4 G RACCORDO M 3/4 NPT - M 3/4 G	1
0576		990686-01	TEMPERATURE PROBE + CLIP SONDE NTC + CLIPS KIT	NTC-SONDE MIT CLIPS KIT SONDA NTC + CLIPS KIT	VOELER NTC + KLEM KIT SONDA NTC + CLIPS KIT	1
0585		573520	GASKET 3/4 INCH (AFM34/2 REINZ) JOINT 3/4 PO. AFM34/2 REINZ	DICHTUNG 3/4 ZOLL AFM34/2 REINZ JUNTA 3/4 PUL. AFM34/2 REINZ	AFDICHTING 3/4 INCH AFM34/2 REINZ GUARNIZIONE ACQUA-GAS 3/4 PO. AFM34/2 RE	10
0591		64980250	GASKET (HYDROBLOCK) JOINT HYDROBLOC	DICHTUNG (HYDROBLOCK) JUNTA (HIDROBLOQUE)	DICHTING (HYDROBLOCK) GUARNIZIONE GRUPPO IDRAULICO	0
0592		64980189	PIPE (CH OUTLET) TUBE DEPART CHAUFFAGE	VORLAUFROHR TUBO ENVÍO	BUIS VERTREK VERWARMING TUBO MANDATA	0
0593		64980194	GROUP (DHW OUTLET) HAUSWASSERAUSGANGSGRUPPE	HAUSWASSERAUSGANGSGRUPPE GRUPO SALIDA DE AGUA CAL.SANIT.	GROEP (SHW OUTLET) GRUPPO USCITA ACQUA SANITARIA	1
0594		64980261	GASKET O-RING 21.82x3.53 JOINT TORIQUE 21,82x3,53	DICHTUNG O-RING 21,82x3,53 JUNTA TÓRICA 21,82x3,53	PAKKING O-RING 21,82x3,53 GUARNIZIONE O-RING 21,82x3,53	0
0601		6500682300	GROUP (PUMP) GROUPE POMPE	PUMPENGRUPPE GRUPO DE BOMBA	GROEP (POMP) GRUPPO POMPA	1
		6500682400	GROUP (PUMP-COMBI) GROUPE POMPE	PUMPENGRUPPE GRUPO DE BOMBA	GROEP (POMP) GRUPPO POMPA	1
0602		65115793	PRESSURE SWITCH (PROPORTIONAL) DETECTEUR PROPORTIONNEL	DRUCKWAECHTER-MINIMAL PRESOSTATO PROPORCIONAL	WATERDRUKSENSOR PRESSOSTATO PROPORZIONALE	0
0603		60000309	CLIP CLIP	CLIP CLIP	KLEM CLIP	1
0604		64980191	PUMP ES2 3VK 63-7C-US POMPE ES2 3VK 63-7C-US	PUMPE ES2 3VK 63-7C-US BOMBA ES2 3VK 63-7C-US	POMP ES2 3VK 63-7C-US POMPA ES2 3VK 63-7C-US	1
0607		64980195	FLOW METER CARTOUCHE DEBITMETRE KIT	UMSCHALTER HEIZUNG / SANITAR KIT OBTURADOR CALEFAC./SANIT.	DEBIETMETER FLOW SWITCH SANITAIR FLUSSOSTATO SANITARIO	1
0611		64980196	DHW FLOW RESTRICTORS (KIT) LIMITEURS DE DEBIT KIT	TUELLESET REDUCTOR (KIT)	DEBIETBEGRENZER (KIT) IMITATORI DI PORTATA (KIT)	1
0616		64980266	DHW FILTER FILTRE À EAU	WASSERFILTER FILTRO DE AGUA	WATER FILTER FILTRO ACQUA	1
0618		64980220	GROUP (COLD WATER INLET) GROUPE D'ENTRÉE D'EAU FROIDE	GRUPPE (KALTWASSER EINLASS) GRUPO DE ENTRADA DE AGUA FRÍA	INLAATGROEP KOUD WATER GRUPPO ENTRATA ACQUA FREDDA	1
0622		64980204	BY-PASS BY-PASS	BY-PASS BY-PASS	BY-PASS BY-PASS	1
0651		64980153	PIPE (C.H. RETURN) TUBE RETOUR CHAUFFAGE	RUCKLAUFROHR TUBO RETORNO INSTALACION	BUIS RETOUR VERWARMING TUBO RITORNO	0
0664		65104322	CLIP CLIP	KLAMMER PUMPE CLIP	KLEM CLIP	1
0670		990686-01	TEMPERATURE PROBE + CLIP SONDE NTC + CLIPS KIT	NTC-SONDE MIT CLIPS KIT SONDA NTC + CLIPS KIT	VOELER NTC + KLEM KIT SONDA NTC + CLIPS KIT	1
0672		64980200	CLIP (FLOW METER) CLIP INTERRUPTEUR DE DÉBIT	CLIP (DURCHFLOSSSCHALTER) CLIP INTERRUPTOR DE FLUJO	CLIP (STROOMSCHAKELAAR) CLIP FLUSSIMETRO	1
0682		64980701	GASKET, 1" Fibre AFM34/2 REINZ JOINT 1" AFM34/2	DICHTUNG 1 Z, AFM34/2 JUNTA 1" AFM34/2	AFDICHTING 1", AFM34/2 GUARNIZIONE ACQUA-GAS 1" AFM34/2	10
0691		65116846	O-RING 18X2.8 JOINT TORIQUE D: 18-2.8	O-RING D: 18-2.8 JUNTA TORICA D: 18-2.8	DICHTINGSRING D: 18-2.8 ANELLO OR D: 18-2.8	1
0695		573520	GASKET 3/4 INCH (AFM34/2 REINZ) JOINT 3/4 PO. AFM34/2 REINZ	DICHTUNG 3/4 ZOLL AFM34/2 REINZ JUNTA 3/4 PUL. AFM34/2 REINZ	AFDICHTING 3/4 INCH AFM34/2 REINZ GUARNIZIONE ACQUA-GAS 3/4	10
0696		64980250	GASKET (HYDROBLOCK) JOINT HYDROBLOC	DICHTUNG (HYDROBLOCK) JUNTA (HIDROBLOQUE)	DICHTING (HYDROBLOCK) GUARNIZIONE GRUPPO IDRAULICO	0
0697		65114928	EXCHANGER GASKET JOINT ECHANGEUR	DICHTUNG WAERMETAUSCHER JUNTA INTERCAMBIADOR	DICHTING WISSELAAR GUARNIZIONE SCAMBIATORE	5
0698		64980202	O-RING 13.95 X 2.62 JOINT TORIQUE D: 13.95 X 2.62	NDDICHRING D: 13.95 X 2.62 JUNTA TORICA D: 13.95 X 2.62	DICHTINGSRING D: 13.95 X 2.62 ANELLO OR 13.95 X 2.62	1
0801		998382	GROMMET(PCD TOOL ACCESS) JOINT ENTREE REGULATION	GUMMIABDECKUNG POTENTIOMETER JUNTA	DICHTING GOMMINO ACCESSO REGOLAZIONE	5



NTI Boilers Inc.

30 Stonegate Drive Saint John,
NB E2H 0A4 Canada

Technical Assistance: 1-800-688-2575

Website: www.ntiboilers.com

Fax: 1-506-432-1135



Visit us online