

LEGACY SERIES
SHOWER STALL

Oasis



36-INCH MODEL

SH-3636

Rough-In Dimensions

36" wide x 37-1/4" deep x 73-1/4" high (w/ 4-inch dam)

Finished Dimensions

36" wide x 36" deep x 72" high (w/ 4-inch dam)

Unit Features



Home Innovation
LAB CERTIFIED™

- One - Piece Fiberglass Composite Construction
- Sanitary Grade Polyester Gelcoat Surface
- 3-3/8" Dia. Center Drain (see reverse side for location)
- Elevated Back Wall Shelves
- Flat Wall Design To Accommodate Grab Bar Applications
- Low Profile Dam (standard)
- Textured Floor Pattern
- Balsa Wood Core Floor Structure

Special Notes

- Optional ABF Model (provides 3 Inches of drain clearance)
- Factory Applied Reinforcement Packages Available
- Factory Applied Bar Packages Available

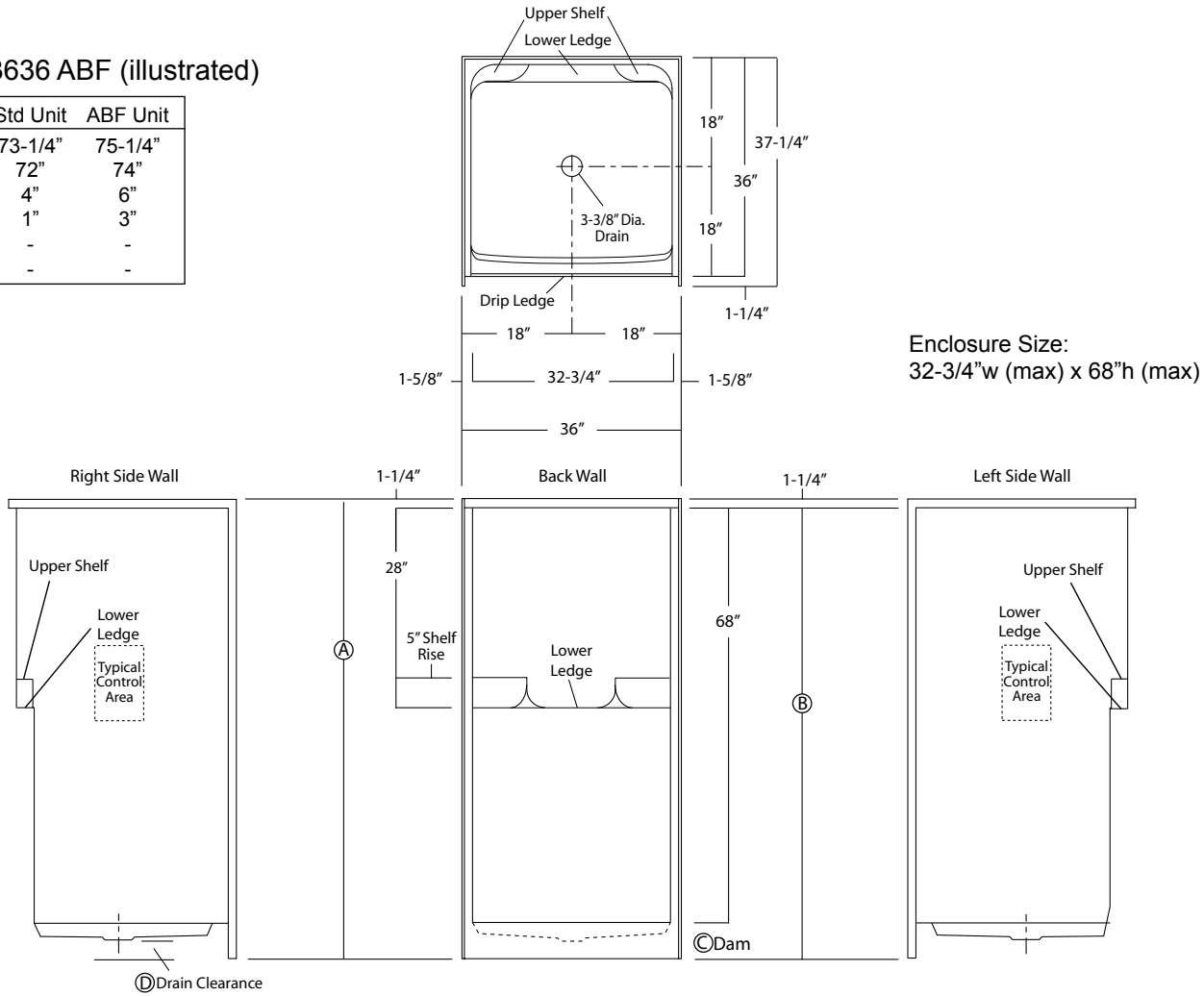
Order No.: SH-3636 (4" dam)

SH-3636 ABF (6" dam)

36" x 36", one-piece gelcoated fiberglass shower stall with a 4" low profile dam (1" drain clearance), dual upper shelves and lower accessory ledge, wall surround, and center drain.

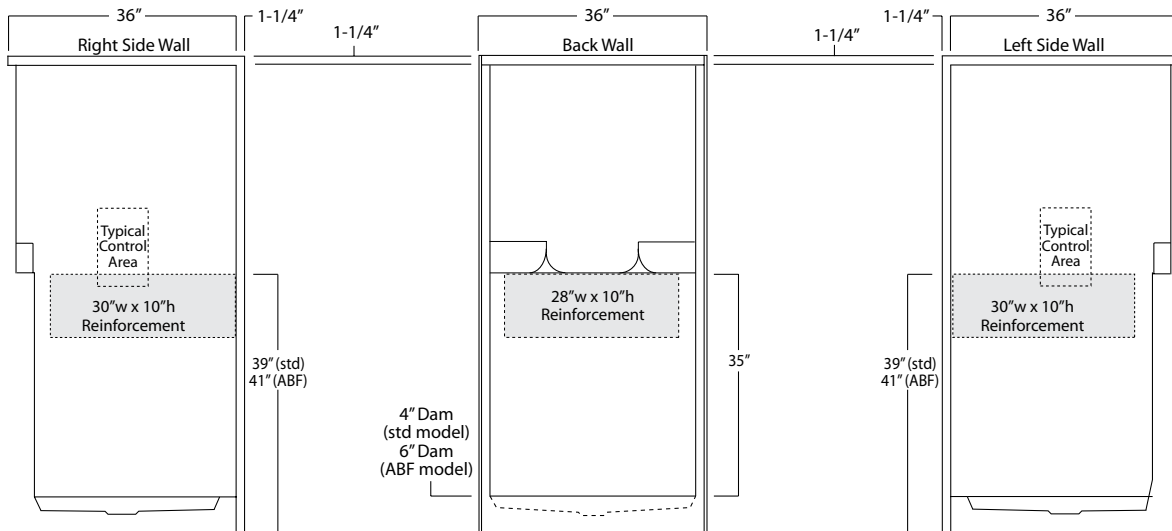
SH-3636 ABF (illustrated)

	Std Unit	ABF Unit
A	73-1/4"	75-1/4"
B	72"	74"
C	4"	6"
D	1"	3"
E	-	-
F	-	-



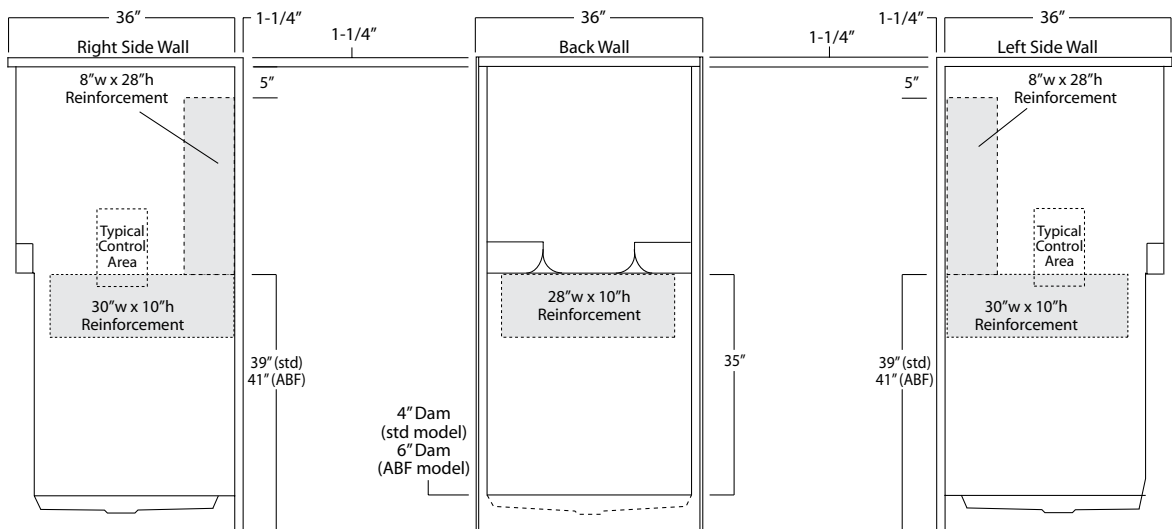
Package Order No.: FH (Fair Housing wall reinforcement)

Package Includes: Factory applied, HUD-FHA compliant (Fair Housing), structurally reinforced wall areas (as shown) for independent field application of bars.



Package Order No.: FHV (Fair Housing wall reinforcement)

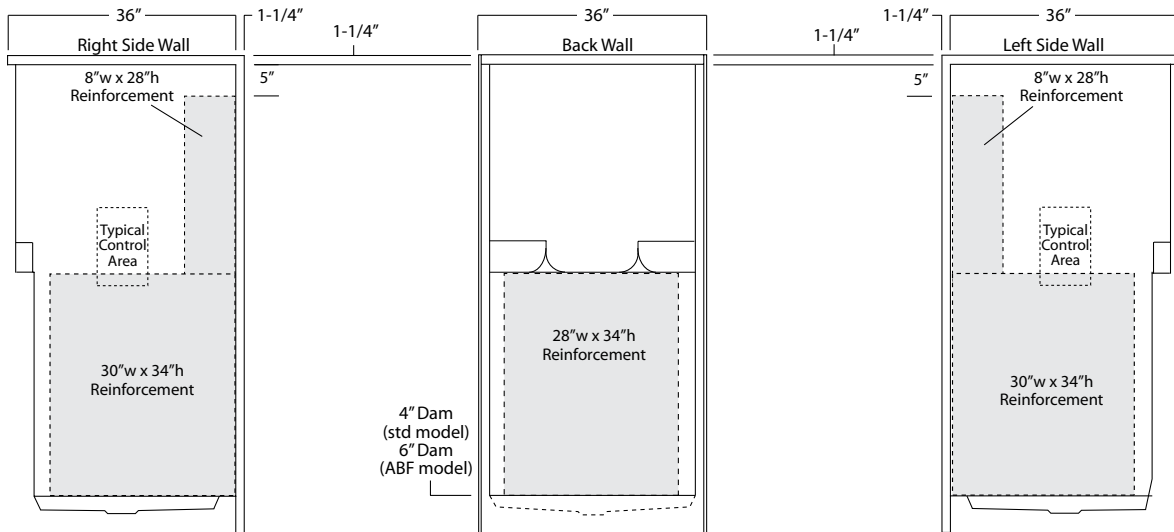
Package Includes: Factory applied, HUD-FHA compliant (Fair Housing), structurally reinforced wall areas (as shown) for independent field application of bars..



Package Order No.: 3SM (3-side, mid-level wall reinforcement)

Package Includes: Factory applied, 3-side, mid-level, structurally reinforced wall areas (as shown), exceeding 'Fair Housing' (HUD/FHA) requirements, for independent field application of bars.

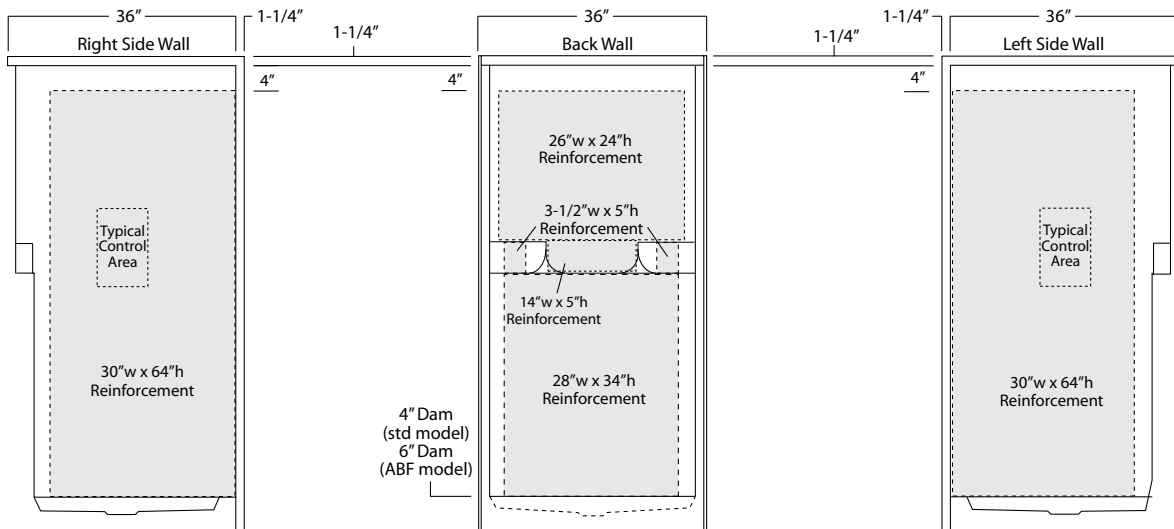
NOTE: Factory installed component packages available with listed reinforcement.



Package Order No.: 3SF (3-side, full-wall reinforcement)

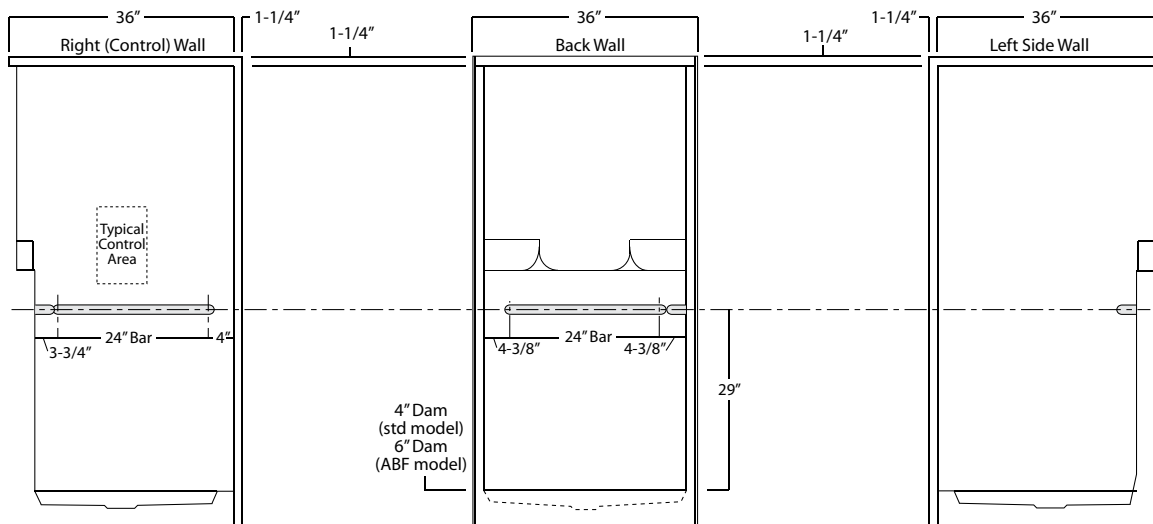
Package Includes: Factory applied, 3-side, full-wrap, structurally reinforced wall areas (as shown), exceeding 'Fair Housing' (HUD/FHA) requirements, for independent field application of bars.

NOTE: Factory installed component packages available with listed reinforcement.



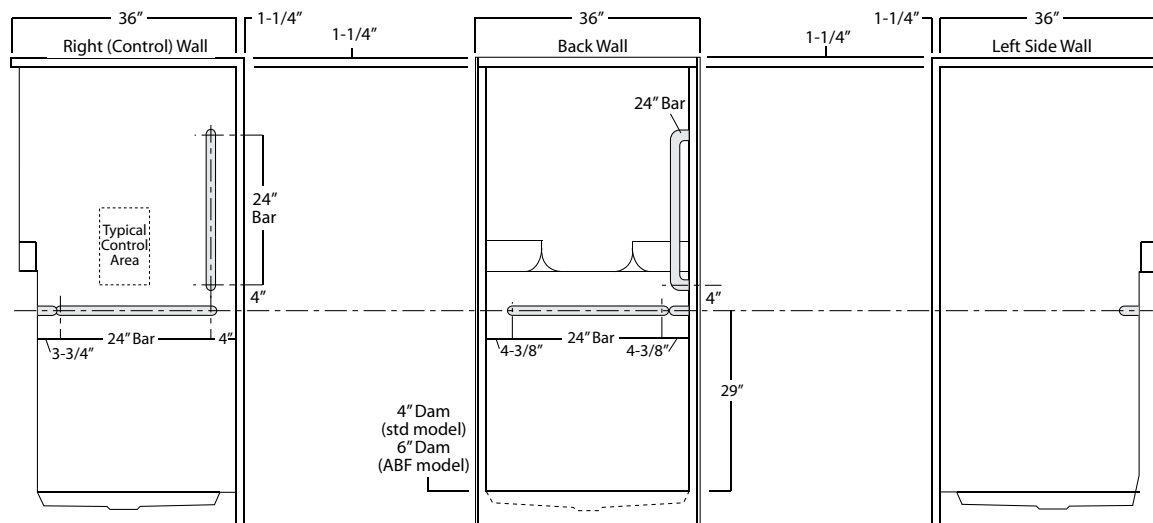
Package Order No.: BP1-(R or L) (2-bar only package)
Upgrade Package No.: BP1-(R or L) WHT (1-1/4" dia., white powder coat, 2-bar only package)

Package Includes: Factory installed, 1-1/2" dia. stainless steel, 2-bar package with basic reinforcement for components (as shown).
 NOTE: Positioning of factory installed components allow for the installation of a shower enclosure.
 NOTE: "R or L" designates RH or LH control wall.



Package Order No.: BP2-(R or L) (3-bar only package)
Upgrade Package No.: BP2-(R or L) WHT (1-1/4" dia., white powder coat, 3-bar only package)

Package Includes: Factory installed, 1-1/2" dia. stainless steel, 3-bar package with basic reinforcement for components (as shown).
 NOTE: Positioning of factory installed components allow for the installation of a shower enclosure.
 NOTE: "R or L" designates RH or LH control wall.



Photographic images may include optional components and appear different than actual product.
 Dimensions shown are maximum. Due to the nature of the materials involved, actual unit dimensions can vary (tolerances: +/-1/8 inch)
 Oasis reserves the right to modify or discontinue product and/or associated equipment without prior written or verbal notification or obligation.