

Schedule 40



Perfect Fit™ 400/401

Stoppers, Knobs, and Bodies determined by tub closure selected

Perfect Fit™ 420/421

ABS Plastic Stopper, Plastic Knob, Brass Body, Chrome PP only

Sturdy 1.5" Schedule 40 PVC or ABS Solvent Weld Assembly

SPECIFICATIONS

FEATURES:

- Adjustable flange allows a tight-fitting overflow flange on a wide range of tub angles.
- The only tool needed for the adjustment is a HAND!
- Reversible tee and elbow for direct-drain application

PATENTS:

- <https://www.watcomfg.com/patents>

THREADS (Strainer Body and Drain Elbow):

- 1³/₈" – 16 NPSM (Fine Thread)
- 1.625" Major Diameter (outside thread diameter)
- 16 threads per inch

PIPING: PVC ABS

Not Shown: Half Kits (No Tee or Pipe)

Model 401: Stoppers, Knobs, Strainer Bodies determined by type of tub closure, i.e., Lift and Turn, etc.

Model 421-PP: ABS Plastic Stopper and Knob, Brass Strainer Body, Chrome PP only



See price list for complete item numbers and available options.

When ordering, please specify complete item number and any applicable option codes.

Finishes Available in the 400/401 Series:

Tube Closures:	PUSH PULL®	LIFT & TURN	PRESFLO®	FOOT ACT.
CP- Chrome Plated	•	•	•	•
AP- Aged Pewter	•	•	•	
BB- Brushed Bronze	•	•	•	•
BN- Brushed Nickel	•	•	•	•
BO- Bone	•	•		
BS- Biscuit	•	•		
BZ- Oil-Rubbed Bronze	•	•	•	•
CB- Chrome Brushed	•	•	•	•
NP- Nickel Polished	•	•	•	•
PB- Polished Brass	•	•	•	•
WH- White	•	•		•
WI- Wrought Iron	•	•	•	•

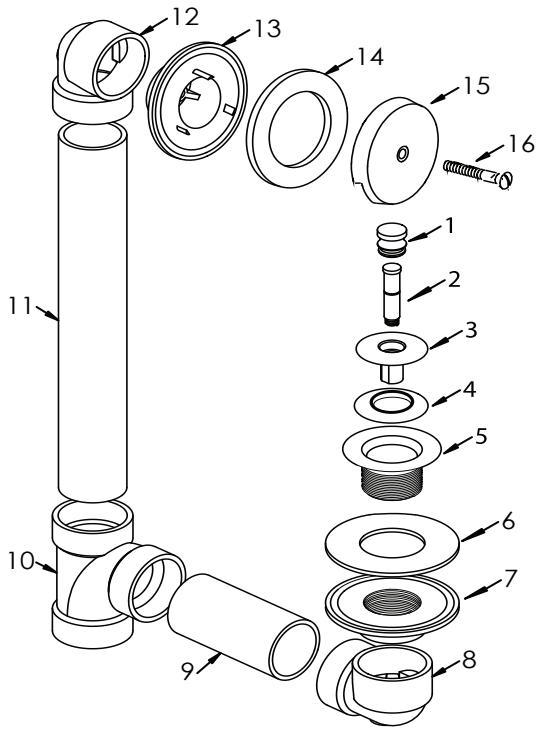
WATCO



Always a step ahead

For More Information Contact:
WATCO Manufacturing Company
 1220 South Powell Road
 Independence, MO 64057-2724
 Ph. 816-796-3900 • FAX 816-796-0875
www.watcomfg.com

400 Series Parts List



Half-kits consist of Parts 1 thru 8, and 12 thru 16.

Item	Part #	Description
1	01010CP	Knob, metal
2	11510	Friction Ring (11505) and Post (11532)
3	01013CP	Stopper, metal
4	11507	Seal, 1 1/16" dia.
5	01022CP	Strainer Body, 1.625" - 16, metal
6	10693	Drain Flange Gasket, Perfect Fit™
7	11022	Drain Flange, Perfect Fit™, ABS
	14022	Drain Flange, Perfect Fit™, PVC
8	11023	Drain/Overflow Elbow, Perfect Fit™, ABS
	14023	Drain/Overflow Elbow, Perfect Fit™, PVC
9	11605	Pipe, Schedule 40, ABS, 1.5" x 4.625"
	11606	Pipe, Schedule 40, PVC, 1.5" x 4.625"
10	14011	Sanitary Tee, Schedule 40, ABS
	14010	Sanitary Tee, Schedule 40, PVC
11	11605	Pipe, Schedule 40, ABS, 1.5" x 11.75"
	11606	Pipe, Schedule 40, PVC, 1.5" x 11.75"
12	11023	Drain/Overflow Elbow, Perfect Fit™, ABS
	14023	Drain/Overflow Elbow, Perfect Fit™, PVC
13	11021	Overflow Flange, Perfect Fit™, ABS
	14021	Overflow Flange, Perfect Fit™, PVC
14	10694	Overflow Flange Gasket, Perfect Fit™
15	01002CP	1-Hole Overflow Plate
16	01024CP	Overflow Plate Screw, 1/4" - 20 x 2.25"

Model 420/421: 1. 11309CP PP Plastic Knob, Chrome
3. 11290CP PP Plastic Stopper, Chrome

TUB CLOSURES FOR 400/401-SERIES BATH WASTES (PUSH PULL® ALSO SHOWN ABOVE)

PUSH PULL®
Fine Thread

- 01010CP
01010__*
- 11510
- 01013CP
01013__*
- 11507
- 01022CP
01022__*

LIFT & TURN
Fine Thread

- 01010CP
01010__*
- 11079
- 11088
- 11290CP
01013__*
- 11507
- 01022CP
01022__*

PRESFLO®
Fine Thread

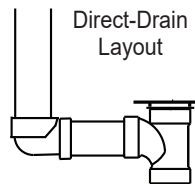
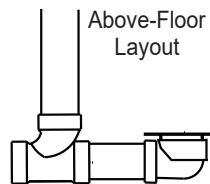
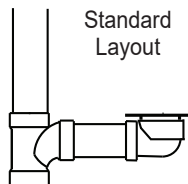
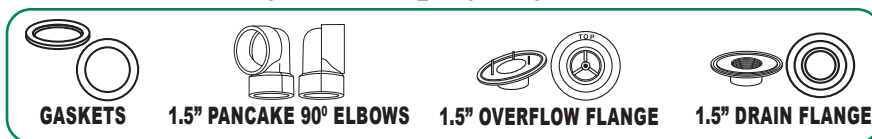
- 11155CP
11155__*
- 11131
- 11070CP
11070__*
- 96039:
Suction Cup
for removing
stopper

FOOT ACTUATED
Coarse Thread

- 38412-CP
38412__-*
- 11492-CP
01016__-*

*If finish other than Chrome is desired, please use this part number and indicate desired finish.

The secret to Perfect Fit's perfect fit...



Roughing-In Dimensions:

