



Buy it for looks. Buy it for life.®

DESCRIPTION

- Metal construction
- 1/2" CC/IPS type connections with ¼ turn stops
- Includes two mounting bracket, two manifolds, and mounting screws

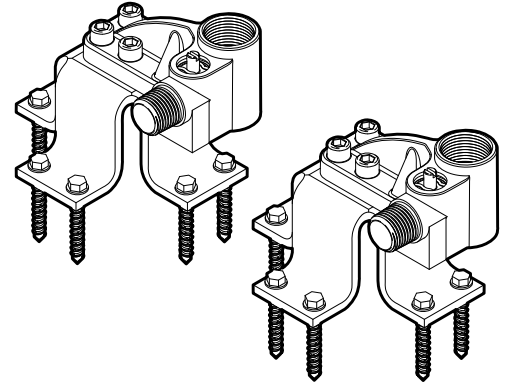
OPERATION

- Expandable mounting brackets for joists between 12" and 24" apart

WARRANTY

- Lifetime limited warranty against leaks, drips and finish defects to the original consumer purchaser
- 5 year warranty if used in commercial installations

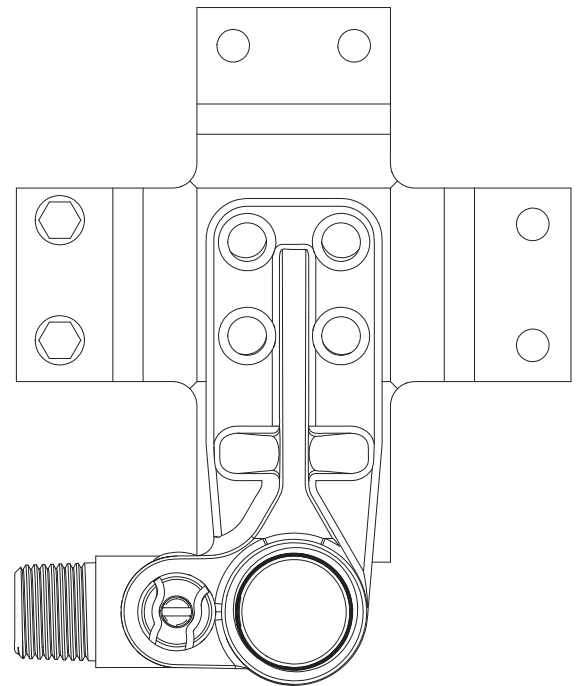
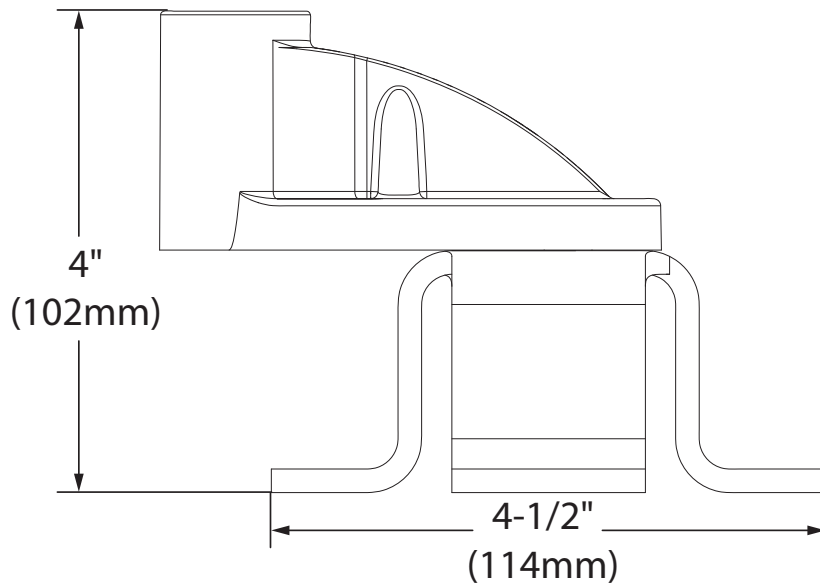
Specifications



M-PACT™
Double Riser Floor Mount Tub Filler
For Concrete Rough-In Valve

Model: TS50210 series

For use with TS25105 series risers



CRITICAL DIMENSIONS

(DO NOT SCALE)

FOR MORE INFORMATION CALL: 1-800-BUY-MOEN

www.moen.com