

LIFT AND TURN

SPECIFICATIONS

FEATURES:

- Theft-resistant, brass stopper
- Brass strainer body, 1.25" deep
- Designed for heavy-duty use in hotels, motels, and rental property
- Replaceable, drip-proof Buna-N-Seal
- Adapter bar for changing from two to one-hole overflow plate

PATENTS:

- U.S. Pat. Number 5,758,368, 7,503,083, and Patents Pending.

OPERATION:

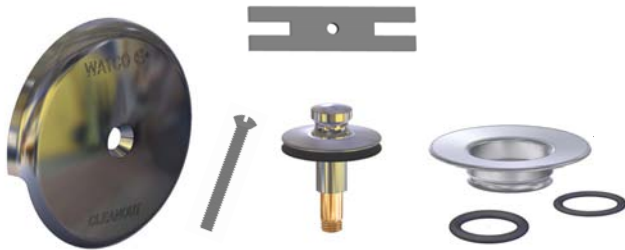
- To open, lift stopper and turn; to close, turn stopper and push down.

THREAD SIZE:

- Actual thread sizes and trade designations are listed on chart on reverse side.



QuickTrim™ Kit For the LIFT AND TURN:



See QuickTrim™ spec sheet for more details.

QuickTrim® LT Trim Kit:	59290
CP - Chrome Plated	•
AB - Antique Brass	•
AP - Aged Pewter	•
BB - Brushed Bronze	•
BN - Brushed Nickel	•
BO - Bone	•
BS - Biscuit	•
BZ - Oil-Rubbed Bronze	•
CB - Chrome Brushed	•
NP - Nickel Polished	•
PB - Polished Brass	•
PN - Pearl Nickel	•
WH - White	•
WI - Wrought Iron	•

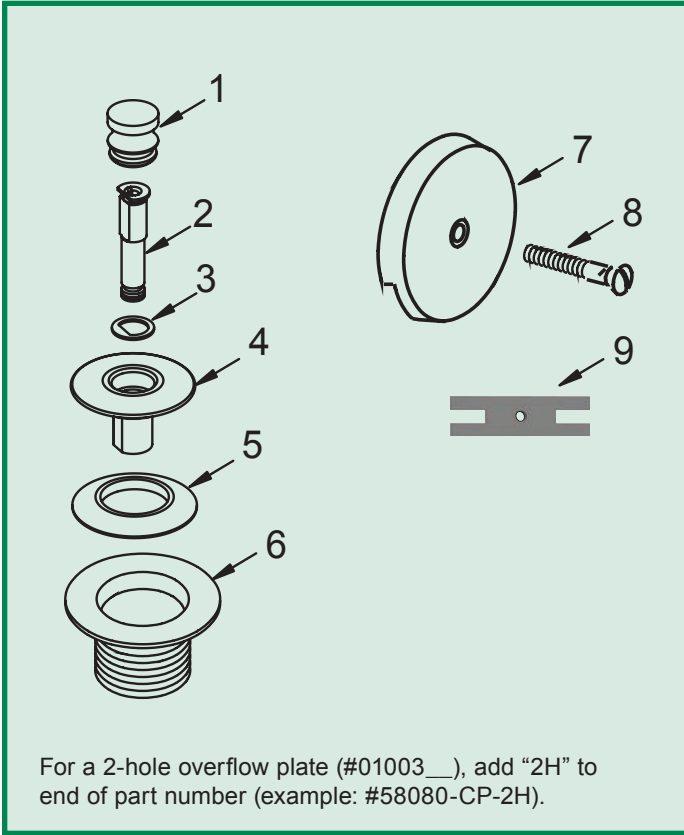
For More Information Contact:
WATCO Manufacturing Company
 1220 South Powell Road
 Independence, MO 64057-2724
 Ph. 816-796-3900 • FAX 816-796-0875
www.watcomfg.com



See price list for complete item numbers and available options.

When ordering, please specify complete item number and any applicable option codes.

LIFT AND TURN TRIM KIT PARTS LIST



Item	Part #	Description
WITH COARSE-THREAD (11.5) BODY:		
1.	01010__	Knob, Brass
2.	11709	Lift and Turn "D" Pin, full length, 3/8"
3.	11088	Lift and Turn "D" Ring
4.	01013__	PUSH PULL® Stopper, Brass
5.	11507	PUSH PULL® Seal, 1 1/16" dia.
6.	01016__	Strainer Body, Brass, CT: 1.865"-11.5-1.25"
7.	01002__	1-Hole Overflow Plate, metal
8.	01024__	Overflow Plate Screw, Brass, 2.25"
9.	11641	Adapter Bar, aluminum
WITH FINE-THREAD (16) BODY:		
1.	01010__	Knob, Brass
2.	11709	Lift and Turn "D" Pin, full length, 3/8"
3.	11088	Lift and Turn "D" Ring
4.	01013__	PUSH PULL® Stopper, Brass
5.	11507	PUSH PULL® Seal, 1 1/16" dia.
6.	01022__	Strainer Body, Brass, FT: 1.625"-16-1.25"
7.	01002__	1-Hole Overflow Plate, metal
8.	01024__	Overflow Plate Screw, Brass, 2.25"
9.	11641	Adapter Bar, aluminum
__ Please indicate desired finish.		

Finishes Available in the LIFT AND TURN Series:

Trim Kits:	58080-58190	958190	58290-58390	58490
CP - Chrome Plated	●	●	●	●
AB - Antique Brass	●		●	●
AP - Aged Pewter	●	●	●	
BB - Brushed Bronze	●	●	●	
BN - Brushed Nickel	●	●	●	
BO - Bone	●	●	●	●
BS - Biscuit	●	●	●	
BZ - Oil-Rubbed Bronze	●	●	●	
CB - Chrome Brushed	●	●	●	●
NP - Nickel Polished	●	●	●	
PB - Polished Brass	●	●	●	●
PN - Pearl Nickel	●	●	●	
WH - White	●	●	●	●
WI - Wrought Iron	●	●	●	