



**PASCO Specialty & Mfg., Inc.**

11156 Wright Road  
Lynwood, CA 90262  
Phone (310) 537-7782  
Fax (800) 737-2726

7529 Perryman Court  
Curtis Bay, MD 21226  
Phone (410) 360-5010  
Fax (877) 377-6466

www.pascospecialty.com

**TECHNICAL SPECIFICATION SUBMITTAL**

Job Name \_\_\_\_\_ Date \_\_\_\_\_

Model Specified \_\_\_\_\_ Quantity \_\_\_\_\_

Customer/Wholesaler \_\_\_\_\_

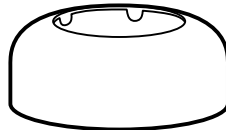
Contractor \_\_\_\_\_

Architect/Engineer \_\_\_\_\_

Engineering Specification: P-Trap with cleanout - 8" wall bend. All 17 gauge P-Traps have CP brass nuts. All 20 gauge P-Traps have CP die cast nuts.

**Part Number 34126**

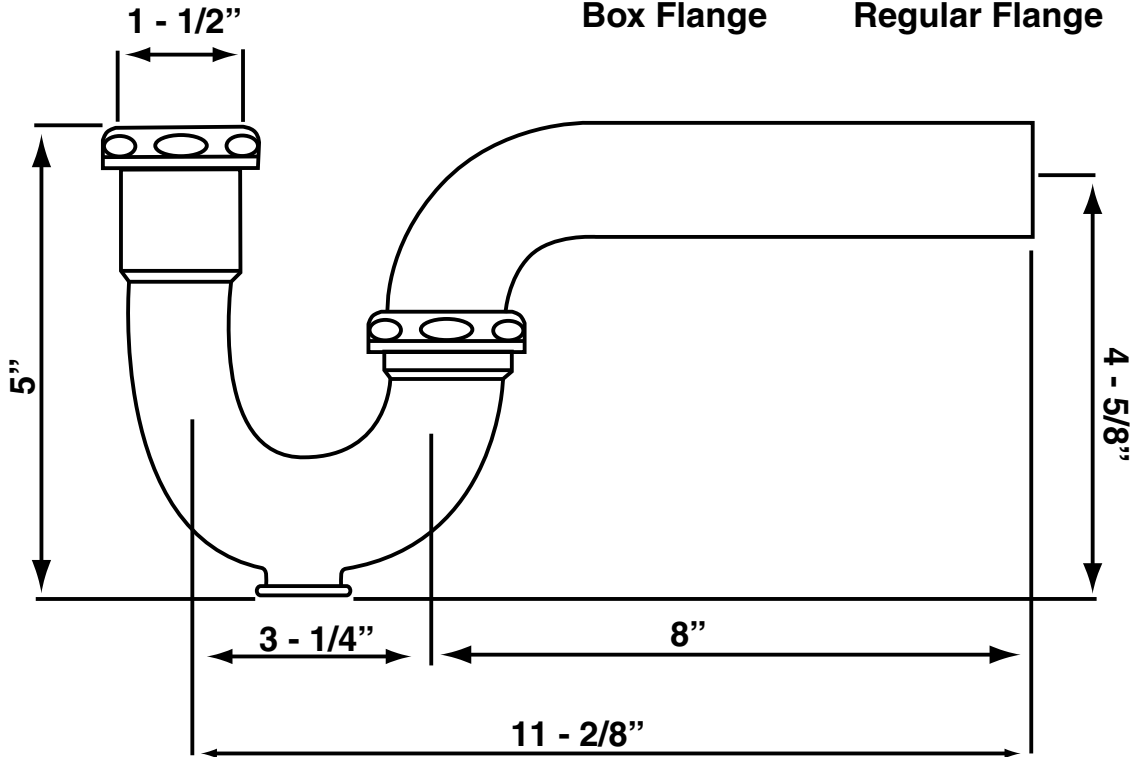
- 1-1/2" size
- 17 gauge
- 8" wall bend with cleanout
- Beaded with slip joint washer
- Add 15 to part number for 15" wall bend



**Box Flange**



**Regular Flange**



**INDUSTRY EQUALS**

DEARBORN	710BN
KEENEY	307PC
WATTS	504-173